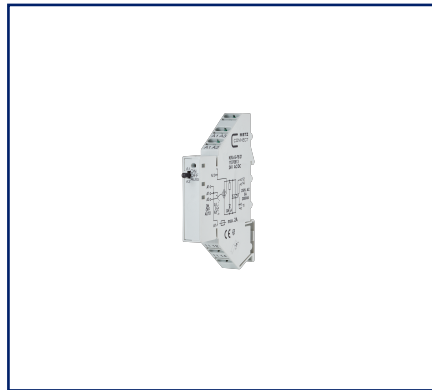


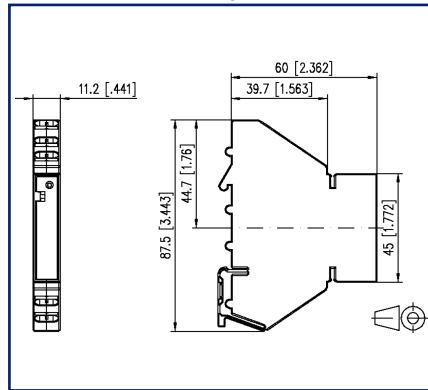
# Data sheet

## KRA-S-F8/21, 1 changeover contact (SPST), 24 V AC/DC

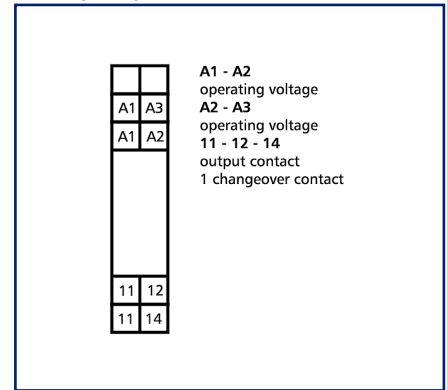
### Illustrations



Dimensional drawing



Wiring diagram



See enlarged drawings at the end of document

### Product specification

Coupling devices are used to secure electrical isolation between logic and load.

- Connection with spring-clamp terminal
- Additional terminals for jumper
- Test contacts for each terminal
- Safe separation
- with manual control level

### Technical Data

Supply	
Operating voltage	24 V AC/DC -15% ... +10%
Power consumption (max.)	13 mA
Response time typical	10 ms
Release time typical	5 ms
Manual control level	
Mechanical life	1x10 <sup>3</sup> switching cycles
Switching capacity (max.)	24 V AC/DC / 50 mA
Switching capacity (min.)	3 V AC/DC / 50 µA
Test voltage	100 V, 50 Hz, 1 min
Outputs	
Contacts	1 changeover contact
Contact material	AgSnO <sub>2</sub>
Switching voltage (max.)	250 V AC/DC
Continuous Current	8 A
Switching frequency	300 switching cycles/h
Breaking capacity (resistive load)	
Mechanical life	2x10 <sup>7</sup> switching cycles
Electrical life	1x10 <sup>5</sup> switching cycles
Indicator	green LED
Insulation coil - contact set	
Nominal voltage of the power supply system	230 / 400 V AC
Overvoltage category	III   II
Degree of pollution	2   2
Rated test voltage	4 kV   2.5 kV
Type of insulation	basic insulation   reinforced insulation
Housing	
Dimensions	
Dimension (W x H x D)	11.2 mm x 87.5 mm x 60 mm
Dimension (W x H x D)	0.441 in. x 3.445 in. x 2.362 in.
Weight	43 g
Mounting style	Standard rail TH35
Mounting position	any

### Technical Data

<b>Housing</b>	
Apposition	without distance
Connection type	Spring clamp terminal blocks
<b>Terminal blocks</b>	
Wire cross section solid	0,08 - 2,5 mm <sup>2</sup> / AWG 28-14
Wire cross section multi	0.08 mm <sup>2</sup> - 1.5 mm <sup>2</sup> / AWG 28-16
Wire cross section with wire ferrule	0.08 mm <sup>2</sup> - 2.5 mm <sup>2</sup> / AWG 28-14
Stripping length (min.)	10 mm
<b>Material</b>	
Material - Housing	Polyamid 6.6 V0
Color	gray
Material - Terminal block	Polyamid 6.6 V0
<b>Protection category according to IEC 60529</b>	
Protection category - housing (acc. to IEC 60529)	IP20
<b>Climatic Data</b>	
Operating	
Temperature - Operating °C	-20 °C - 55 °C
Temperature - Operating °F	-4 °F - 131 °F
Relative humidity	max. 85 % non-condensing
Storage	
Temperature - Storage °C	-25 °C - 70 °C
Temperature - Storage °F	-13 °F - 158 °F
<b>Power loss</b>	
Power loss (typical) coil	900 mW
Power loss (typical) Contact rate	800 mW
<b>Classifications</b>	
ETIM 6.0	EC000310
ETIM 7.0	EC001437
ETIM 8.0	EC001437
ETIM 9.0	EC001437

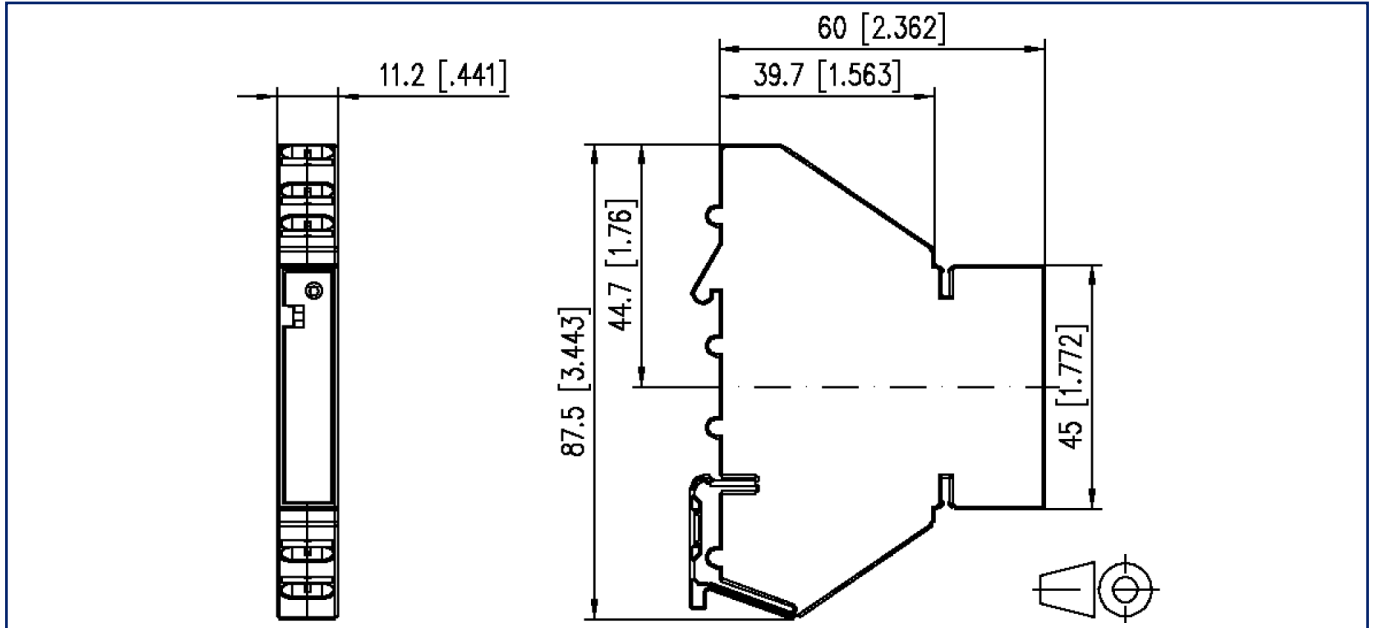
### Accessories

P/N	Designation
11061925	KRA-M8/21-21, 2 changeover contacts, 24 V DC
110728	Connecting bridge, 10 pole
110729	Labeling plate

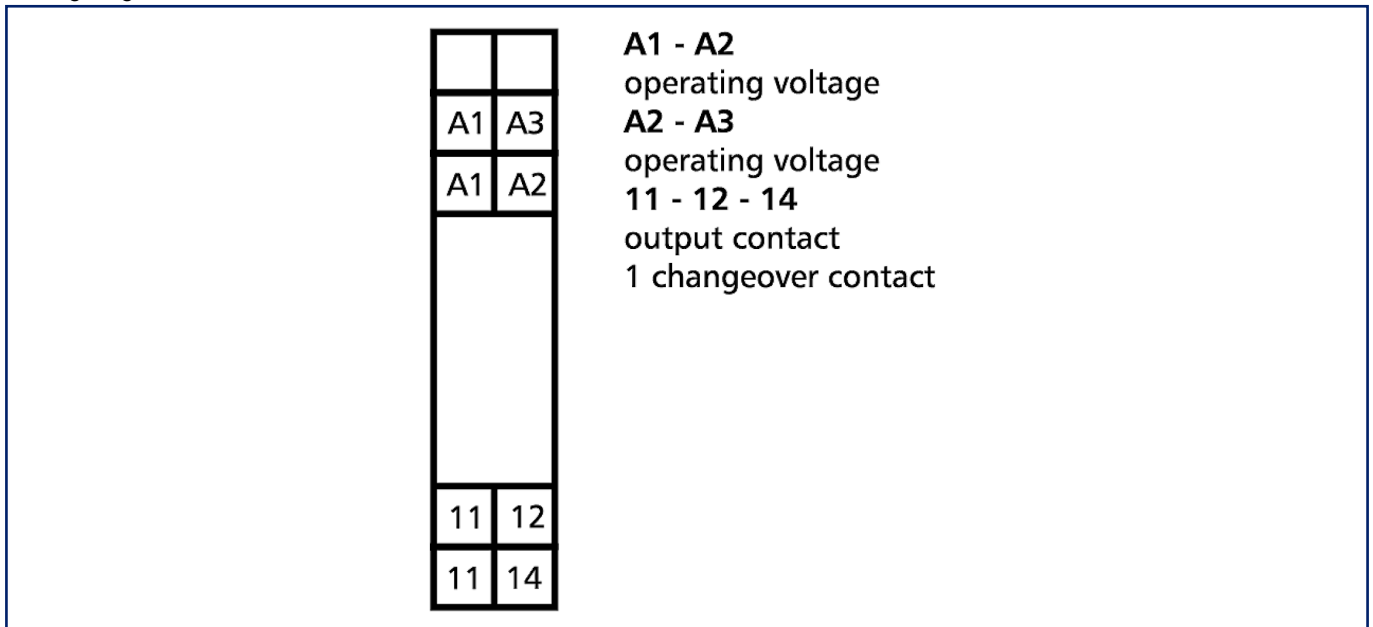


### Illustrations

Dimensional drawing



Wiring diagram



**Illustrations**

Circuit diagram

