

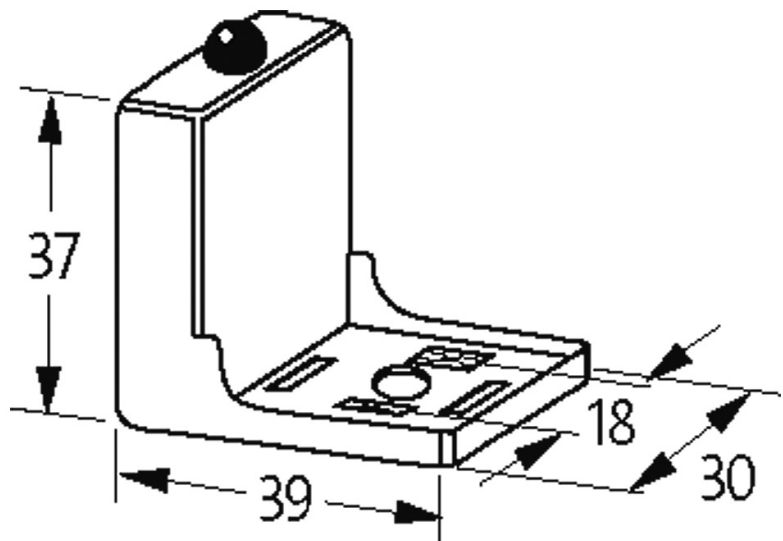
VALVE PLUG SUPPRESSOR FORM A - 18MM

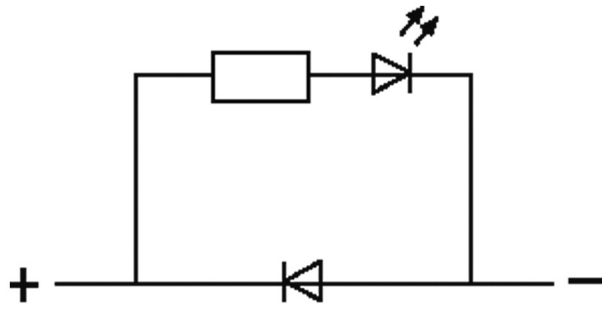
Diode and LED, 24VDC/50VA/W

24 V DC

Diode + LED

Remove plug gasket when fitting adapter. Other LED colors on request. Polarity dependent

[Link to Product](#)**Illustration**



LED + Diode

Product may differ from Image

Technical Data

Switch off peak	1 V
Switch off delay time	max. 200 ms
Max. power (W)	max. 50 W (VA)
LED display	(yellow opac)

General data

Dimensions H x W x D	37x39x30 mm
Housing	Polyamide black, flame retardant, temperature resistance up to 130 °C
Temperature range	-20...+60 °C
Material (contact)	Silvered bronze

Commercial data

country of origin	CZ
customs tariff number	85363010
EAN	4048879012263
eClass	27371013
Packaging unit	1