



# Adapter Set HiD Device for Contrans I socket

## HiD-CI-DI1-SET

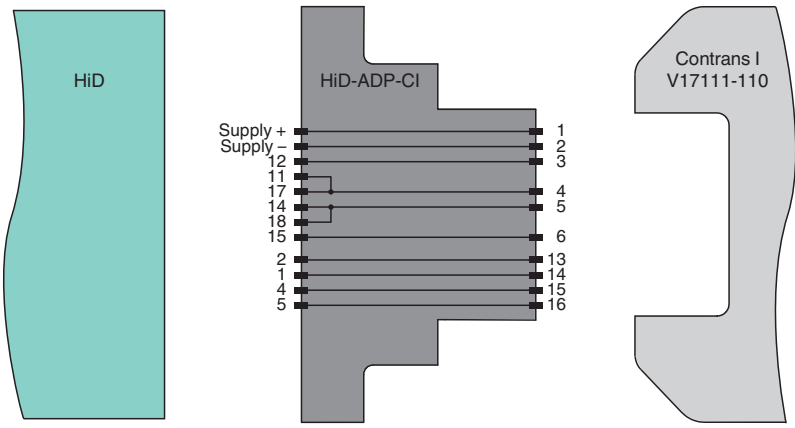
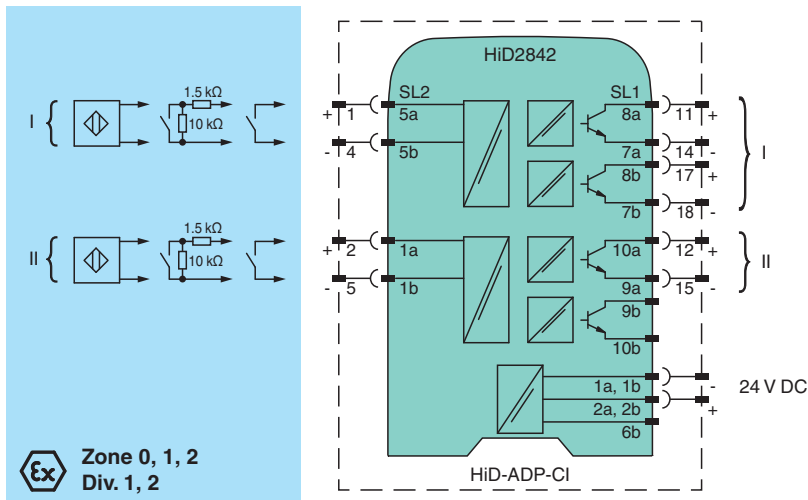
- Set consisting of isolated barrier HiD2842 and adapter HiD-ADP-CI
- 2-channel isolated barrier
- 24 V DC supply (bus powered)
- Dry contact or NAMUR inputs
- Mounting to a V17111-110 Contrans I socket



### Function

The device consists of a isolated barrier and the HiD-ADP-CI adapter.  
 This isolated barrier is used for intrinsic safety applications.  
 The device transfers digital signals from NAMUR sensors or dry contacts from the hazardous area to the non-hazardous area.  
 The device is mounted on the V17111-110 Contrans I socket.

### Connection



Release date: 2022-01-05 Date of issue: 2022-01-05 Filename: 70125209\_eng.pdf

Refer to "General Notes Relating to Pepperl+Fuchs Product Information".

Pepperl+Fuchs Group  
 www.pepperl-fuchs.com

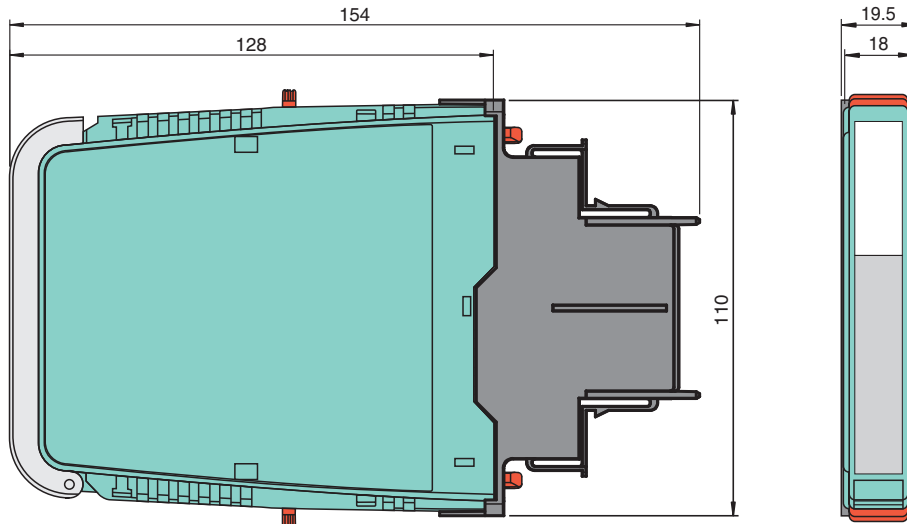
USA: +1 330 486 0002  
 pa-info@us.pepperl-fuchs.com

Germany: +49 621 776 2222  
 pa-info@de.pepperl-fuchs.com

Singapore: +65 6779 9091  
 pa-info@sg.pepperl-fuchs.com



**Dimensions**



**Technical Data**

<b>General specifications</b>	
Signal type	Digital Input
<b>Supply</b>	
Nominal voltage	24 V DC , in consideration of rated voltage of used isolated barrier
Voltage drop	0.9 V with integrated decoupling diode
Reverse polarity protection	yes
<b>Electrical specifications</b>	
Connection	see datasheet of isolated barrier
<b>Input</b>	
Connection side	field side
<b>Output</b>	
Connection side	control side
<b>Indicators/settings</b>	
Display elements	LEDs
Control elements	DIP switch
Labeling	space for labeling at the front
<b>Directive conformity</b>	
Electromagnetic compatibility	
Directive 2014/30/EU	see datasheet of isolated barrier
<b>Conformity</b>	
Electromagnetic compatibility	see datasheet of isolated barrier
Degree of protection	IEC 60529
<b>Ambient conditions</b>	
Ambient temperature	-20 ... 60 °C (-4 ... 140 °F)
Storage temperature	-25 ... 85 °C (-13 ... 185 °F)
<b>Mechanical specifications</b>	
Degree of protection	IP20
Mass	approx. 160 g
Dimensions	19.5 x 110 x 154 mm (0.77 x 4.3 x 6.1 inch) (W x H x D)

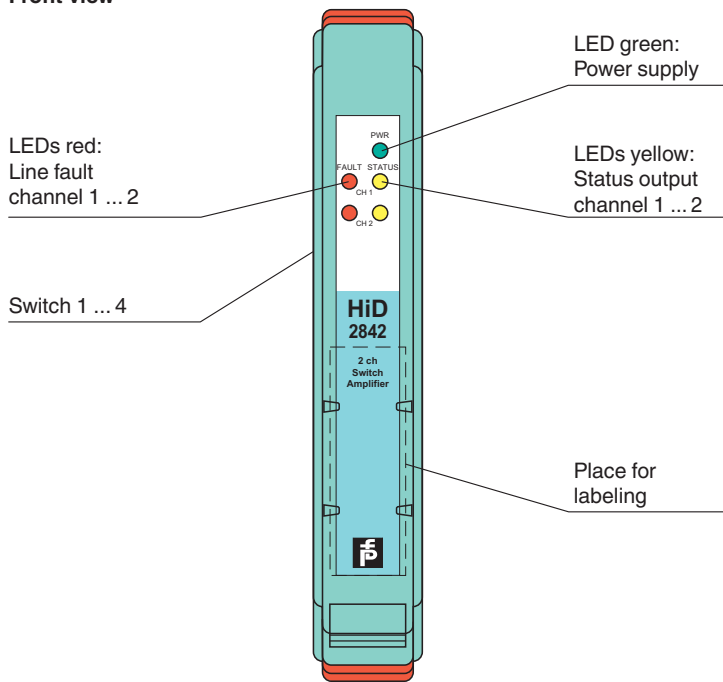
Release date: 2022-01-05 Date of issue: 2022-01-05 Filename: 70125209\_eng.pdf

**Technical Data**

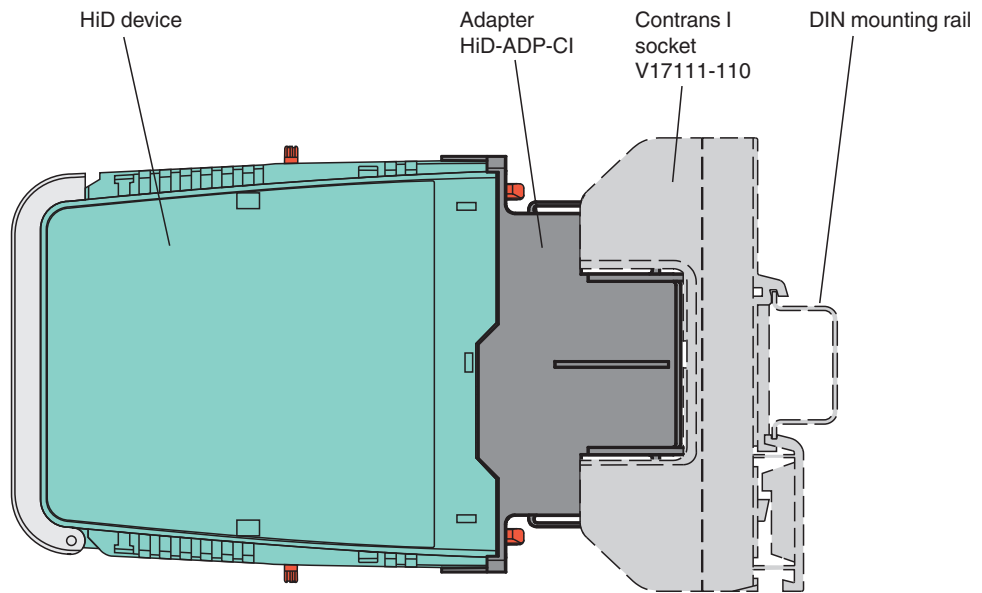
Mounting	on Contrans I socket	
<b>Data for application in connection with hazardous areas</b>		
EU-type examination certificate	see datasheet of isolated barrier	
<b>International approvals</b>		
IECEX approval		
IECEX certificate	see datasheet of isolated barrier	
<b>General information</b>		
Supplementary information	Observe the certificates, declarations of conformity, instruction manuals, and manuals where applicable. For information see <a href="http://www.pepperl-fuchs.com">www.pepperl-fuchs.com</a> .	

**Assembly**

**Front view**



Release date: 2022-01-05 Date of issue: 2022-01-05 Filename: 70125209\_eng.pdf



Release date: 2022-01-05 Date of issue: 2022-01-05 Filename: 70125209\_eng.pdf

Refer to "General Notes Relating to Pepperl+Fuchs Product Information".

Pepperl+Fuchs Group  
www.pepperl-fuchs.com

USA: +1 330 486 0002  
pa-info@us.pepperl-fuchs.com

Germany: +49 621 776 2222  
pa-info@de.pepperl-fuchs.com

Singapore: +65 6779 9091  
pa-info@sg.pepperl-fuchs.com

 **PEPPERL+FUCHS**

## Connection Assignment

Connection assignment of the adapter as interface between HiD device and V17111-110 Contrans I socket

	Control side						Field side			
Socket	1	2	3	4	5	6	13	14	15	16
Signal	Supply (+)	Supply (-)	Ch2(+)	Ch1(+)	Ch1(-)	Ch2(-)	Ch2(+)	Ch1(+)	Ch1(-)	Ch2(-)
HiD device	Supply (+)	Supply (-)	12	11; 17	14; 18	15	2	1	4	5