



LS 85

Throughbeam photoelectric sensors



0 ... 65m

10 - 30 V
DC

- Voltage ranges: 10 ... 30VDC and 24VDC
- Light switching and delay before start-up for optimal adaptation to applications
- Connection via M12 connector or standard plug with screw connector up to 1.5mm²

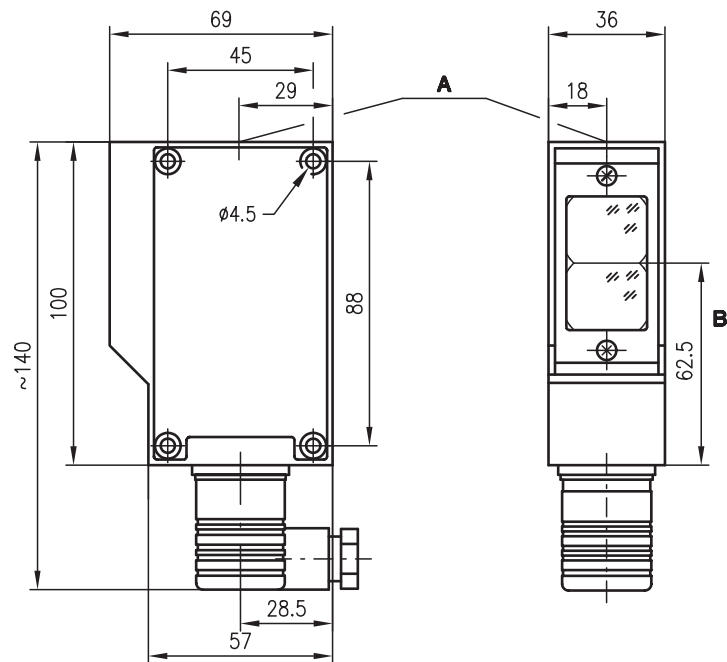


Accessories:

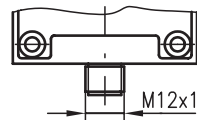
(available separately)

- Mounting systems (BT 85)
- M12 connectors (KD ...)
- Alignment aid ARH 2

Dimensioned drawing



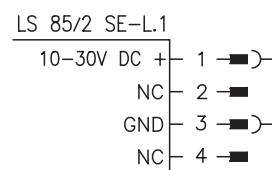
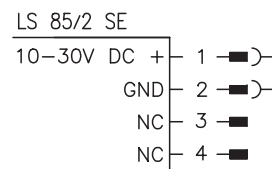
LS 85/4 E-L.1
LS 85/2 SE-L.1



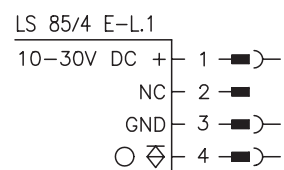
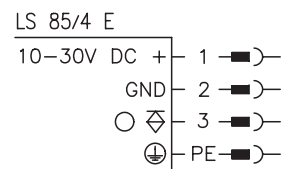
- A Indicator diode only at receiver
- B Optical axis

Electrical connection

Transmitter



Receiver





Specifications

Optical data

Typ. operating range limit ¹⁾	0 ... 65m
Operating range ²⁾	0 ... 50m
Light source	LED (modulated light)
Wavelength	880nm

Timing

Sensor switching frequency	100Hz
Sensor response time	2.5ms
Delay before start-up	≤ 200ms

Electrical data

Operating voltage U _B	10 ... 30VDC (incl. residual ripple)
Residual ripple	≤ 15% of U _B
Bias current	≤ 30mA
Switching output	PNP transistor output
Function characteristics	light switching
Signal voltage high/low	≥ (U _B -2V)/≤ 2V
Output current	max. 100mA

Indicators

LED yellow	light path free, alignment aid
------------	--------------------------------

Mechanical data

Housing	diecast aluminium
Weight	transmitter 350g, receiver 350g
Optics cover	glass
Connection type	M12 connector or standard plug with screw connector up to 1.5mm ²

Environmental data

Ambient temp. (operation/storage) ³⁾	-20°C ... +60°C/-30°C ... +70°C
Protective circuit ⁴⁾	1, 2, 3
VDE safety class	I, all-insulated (standard plug), III, all-insulated (M12 connector)
Protection class	IP 65
LED class	1 (acc. to EN 60825-1)
Standards applied	IEC 60947-5-2

Options

De-humidifying system	to prevent condensation on the optics (due to temperature changes)
------------------------------	--

- 1) Typ. operating range limit: max. attainable range without performance reserve
- 2) Operating range: recommended range with performance reserve
- 3) -30°C with operating voltage continuously applied
- 4) 1=transient protection, 2=polarity reversal protection, 3=short circuit protection

Tables

Diagrams

Order guide

Selection table		Order code →					
Equipment ↓		LS 85/4 Part No. 500 00246 (Tr) Part No. 500 00248 (Re)	LS 85/4 L 1 Part No. 500 20263 (Tr) Part No. 500 20264 (Re)				
Housing	metal	●	●				
Connection	standard plug	●					
	M12 connector ¹⁾		●				
Features							
Voltage supply	10 ... 30VDC	●	●				
Switching output	PNP	●	●				
Dehumidification		●	●				

1) not part of the delivery contents

Remarks

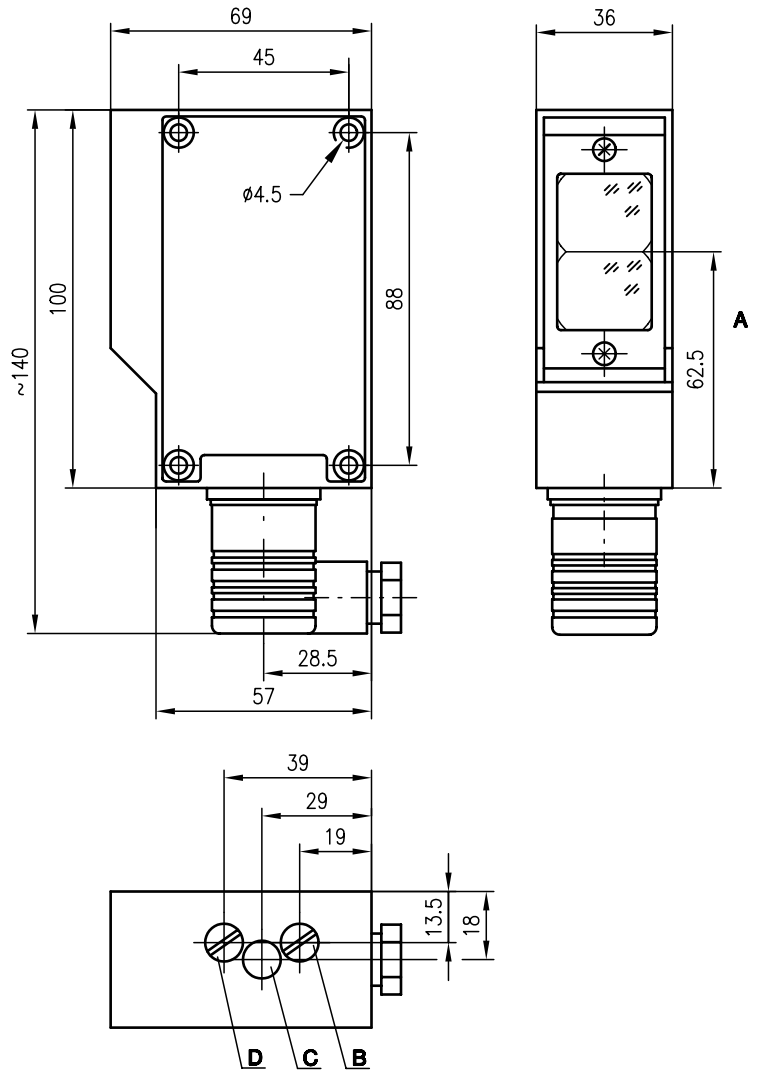


RK 85

Energetic diffuse reflection light scanner



Dimensioned drawing



- A Optical axis
- B Sensitivity adjustment
- C Indicator diode
- D Light/dark switching



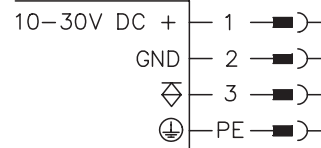
0 ... 0.3m
 0 ... 0.8m
 0 ... 2.0m



- Wide voltage range 10 ... 30VDC with PNP switching output for PLC applications
- General light/dark switching, sensitivity adjustment and delay before start-up provide for optimal adaptation to the application
- Connection via standard plug with screw connector up to 1.5mm²

Electrical connection

RK 85/4-300
 RK 85/4-800
 RK 85/4-2000



Accessories:

(available separately)

- Mounting systems (BT 85)

We reserve the right to make changes • 85_c01e.fm



Specifications

Optical data

Scanning range (white 90%) ¹⁾	0 ... 300mm, 0 ... 800mm, 0 ... 2000mm
Adjustment range	5 ... 100%
Light source	LED (modulated light)
Wavelength	880nm

Timing

Sensor switching frequency	100Hz
Sensor response time	2.5ms
Delay before start-up	≤ 200ms

Electrical data

Operating voltage U_B	10 ... 30VDC (incl. residual ripple)
Residual ripple	≤ 15% of U_B
Bias current	≤ 40mA
Switching output	PNP transistor output
Function characteristics	light or dark switching (reversible)
Signal voltage high/low	≥ ($U_B - 2V$) / ≤ 2V
Output current	max. 100mA
Sensitivity	adjustable

Indicators

LED red	reflection
LED red flashing	reflection, no performance reserve

Mechanical data

Housing	diecast aluminium
Weight	350g
Optics cover	glass
Connection type	standard plug with screw connector up to 1.5mm ²

Environmental data

Ambient temp. (operation/storage) ²⁾	-20°C ... +60°C / -30°C ... +70°C
Protective circuit ³⁾	1, 2, 3
VDE safety class	I, all-insulated
Protection class	IP 65
LED class	1 (acc. to EN 60825-1)
Standards applied	IEC 60947-5-2

Options

De-humidifying system	to prevent condensation on the optics (due to temperature changes)
------------------------------	--

- 1) Scanning range: recommended range with performance reserve
 2) -30°C with operating voltage continuously applied
 3) 1=transient protection, 2=polarity reversal protection, 3=short circuit protection

Tables

Diagrams

Order guide

Selection table		Order code →					
Equipment ↓		RK 85/4-300 Part No. 500 00494	RK 85/4-800 Part No. 500 00495	RK 85/4-2000 Part No. 500 00496			
Housing	metal	●	●	●			
Scanning range	300mm	●					
	800mm		●				
	2000mm			●			
Connection	standard plug	●	●	●			
Features							
Voltage supply	10 ... 30VDC	●	●	●			
Switching output	PNP	●	●	●			
Dehumidification		●	●	●			

Remarks

- The upper and lower scanning range limits can change with poorly reflecting materials.

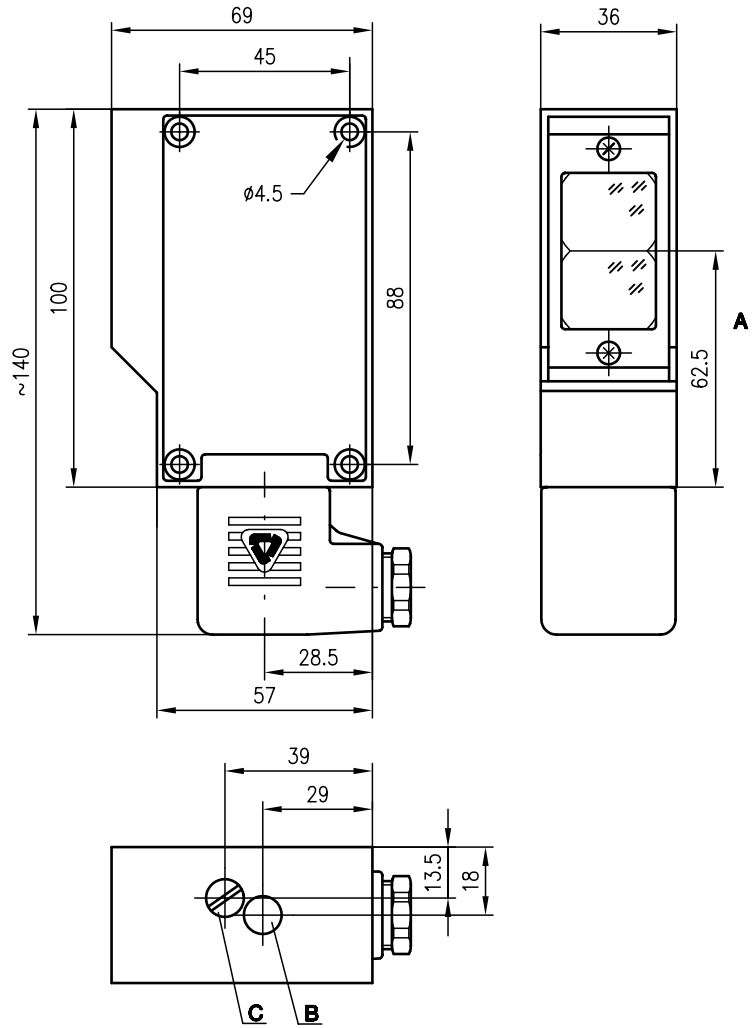


PRK 85

Retro-reflective photoelectric sensor with polarisation filter



Dimensioned drawing



- A Optical axis
- B Indicator diode
- C Light/dark switching

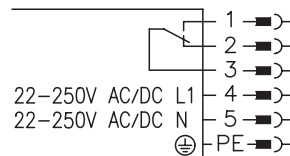


7.5m



- All-mains design
22 ... 250VAC/DC with relay output
- General light/dark switching and delay before start-up for optimal adaptation to applications
- Connection via standard plug with screw connector up to 1.5mm²

Electrical connection



Accessories:

(available separately)

- Mounting systems (BT 85)
- Reflectors
- Reflective tapes

We reserve the right to make changes • 85_b04e.fm



Specifications

Optical data

Typ. operating range limit (TK(S) 100x100) ¹⁾ 7.5m
 Operating range ²⁾ see tables
 Light source LED (modulated light)
 Wavelength 660nm (visible red light, polarised)

Timing

Switching frequency 20Hz
 Response time 25ms
 Delay before start-up ≤ 200ms

Electrical data

Operating voltage U_B 22 ... 250VAC 50/60Hz
 22 ... 250VDC ± 10%
 Power consumption ≤ 1.5VA
 Switching output relay, 1 change-over contact
 Function characteristics light or dark switching (reversible)
 Switching voltage, relay 250 VAC/DC
 Switching current, relay 250VAC 3A/30VDC 3A
 Switching power, relay 250VAC – 50W
 250VAC 60VA ind. load

Indicators

LED red light path free
 LED red flashing light path free, no performance reserve

Mechanical data

Housing diecast aluminium
 Optics cover glass
 Weight 350g
 Connection type standard plug with screw connector up to 1.5mm²

Environmental data

Ambient temp. (operation/storage) ³⁾ -20°C ... +55°C/-30°C ... +55°C
 Protective circuit ⁴⁾ 1, 2, 3, 4
 VDE safety class I, all-insulated
 Protection class IP 65
 LED class 1 (acc. to EN 60825-1)
 Standards applied IEC 60947-5-2

Options

De-humidifying system to prevent condensation on the optics (due to temperature changes)

- 1) Typ. operating range limit: max. attainable range without performance reserve
- 2) Operating range: recommended range with performance reserve
- 3) -30°C with operating voltage continuously applied
- 4) 1=transient protection, 2=polarity reversal protection, 3=short circuit protection for all outputs, 4=interference blanking

Tables

Reflectors		Operating range
TK(S)	100x100	0.3 ... 6.0m
TK(S)	50x100	0.3 ... 5.5m
TK(S)	50x50	0.3 ... 4.5m
TK	82	0.5 ... 6.0m
Tape 2	100x100	0.4 ... 3.5m

TK ... = adhesive
 TKS ... = screw type
 Tape 2 = adhesive

Diagrams

Order guide

Designation	Part No.
PRK 85/7 UC	500 21127

Remarks



PRK 85

Retro-reflective photoelectric sensor with polarisation filter



7.5m



- Wide voltage range 10 ... 30VDC with PNP switching output for PLC applications
- General light/dark switching and delay before start-up for optimal adaptation to applications
- Connection via standard plug with screw connector up to 1.5mm²

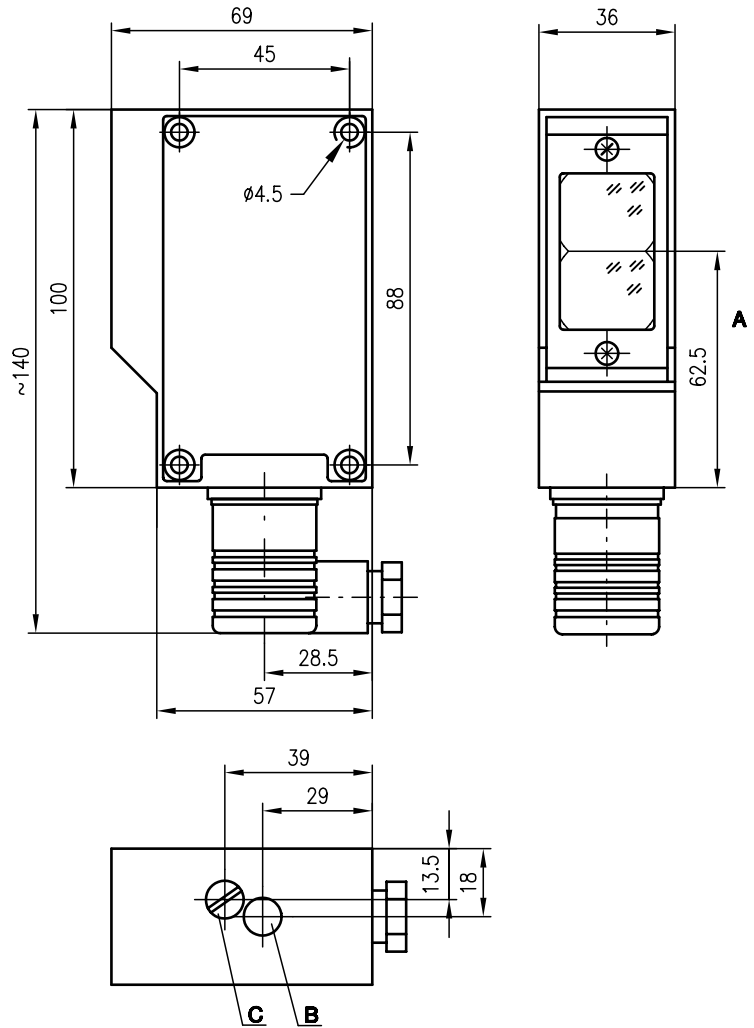


Accessories:

(available separately)

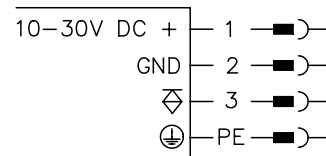
- Mounting systems (BT 85)
- Reflectors
- Reflective tapes

Dimensioned drawing



- A Optical axis
- B Indicator diode
- C Light/dark switching

Electrical connection



We reserve the right to make changes • 85_b03e.fm



Specifications

Optical data

Typ. operating range limit (TK(S) 100x100) ¹⁾ 7.5m
 Operating range ²⁾ see tables
 Light source LED (modulated light)
 Wavelength 660nm (visible red light, polarised)

Timing

Switching frequency 200Hz
 Response time 2.5ms
 Delay before start-up ≤ 200ms

Electrical data

Operating voltage U_B 10 ... 30VDC (incl. residual ripple)
 Residual ripple ≤ 15% of U_B
 Bias current ≤ 40mA
 Switching output PNP transistor output
 Function characteristics light or dark switching (reversible)
 Signal voltage high/low ≥ (U_B -2V)/≤ 2V
 Output current max. 100mA

Indicators

LED red light path free
 LED red flashing light path free, no performance reserve

Mechanical data

Housing diecast aluminium
 Optics cover glass
 Weight 350g
 Connection type standard plug with screw connector up to 1.5mm²

Environmental data

Ambient temp. (operation/storage) ³⁾ -20°C ... +55°C/-30°C ... +55°C
 Protective circuit ⁴⁾ 1, 2, 3, 4
 VDE safety class I, all-insulated
 Protection class IP 65
 LED class 1 (acc. to EN 60825-1)
 Standards applied IEC 60947-5-2

Options

De-humidifying system to prevent condensation on the optics (due to temperature changes)

- 1) Typ. operating range limit: max. attainable range without performance reserve
- 2) Operating range: recommended range with performance reserve
- 3) -30°C with operating voltage continuously applied
- 4) 1=transient protection, 2=polarity reversal protection, 3=short circuit protection for all outputs, 4=interference blanking

Tables

Reflectors		Operating range
TK(S)	100x100	0.3 ... 6.0m
TK(S)	50x100	0.3 ... 5.5m
TK(S)	50x50	0.3 ... 4.5m
TK	82	0.5 ... 6.0m
Tape 2	100x100	0.4 ... 3.5m

TK ... = adhesive
 TKS ... = screw type
 Tape 2 = adhesive

Diagrams

Order guide

Designation	Part No.
PRK 85/4	500 00599

Remarks

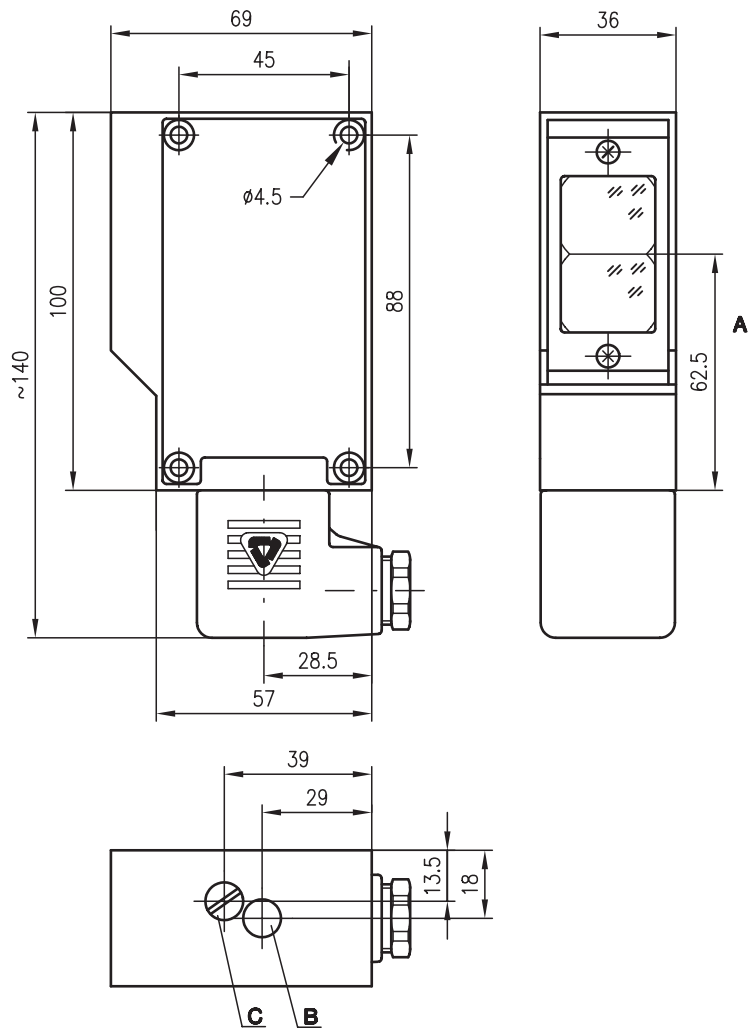


RK 85

Retro-reflective photoelectric sensors



Dimensioned drawing



- A Optical axis
- B Indicator diode
- C Light/dark switching

6m



22-250 V AC / DC

230 V AC

- All-mains design 22 ... 250VAC/DC with relay output
- Special voltages for universal application
- General light/dark switching and delay before start-up for optimal adaptation to applications
- Connection via standard plug with screw connector up to 1.5mm²

Electrical connection

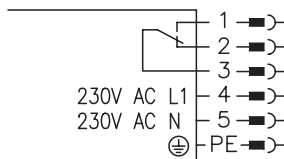


Accessories:

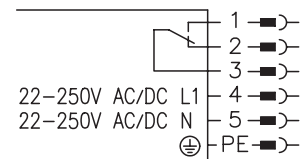
(available separately)

- Mounting systems (BT 85)
- Reflectors
- Reflective tapes

RK 85/7



RK 85/7-10 UC



We reserve the right to make changes • 85_b02e.fm



Specifications

Optical data

Operating range ¹⁾ see tables
 Light source LED (modulated light)
 Wavelength 880nm

Timing

Switching frequency 20Hz
 Response time 25ms
 Delay before start-up ≤ 200ms

Electrical data

Operating voltage U_B 22 ... 250VAC (50/60Hz)
 22 ... 250VDC ± 10%
 230VAC ± 10% 50/60Hz
 Power consumption ≤ 1.5VA
 Switching output relay, 1 change-over contact
 Function characteristics light or dark switching (reversible)
 Switching voltage, relay 250 VAC/DC
 Switching current, relay 250 VAC 3A/30VDC 3A
 Switching power, relay 250 VAC – 50W
 250 VAC 60VA ind. load

Indicators ²⁾

LED green ready
 LED yellow light path free
 LED red flashing light path free, no performance reserve

Mechanical data

Housing diecast aluminium
 Optics cover glass
 Weight 340g
 Connection type standard plug with screw connector up to 1.5mm²

Environmental data

Ambient temp. (operation/storage) ³⁾ -20°C ... +55°C/-30°C ... +55°C
 Protective circuit ⁴⁾ 1, 2, 3, 4
 VDE safety class I, all-insulated
 Protection class IP 65
 LED class 1 (acc. to EN 60825-1)
 Standards applied IEC 60947-5-2

Options

De-humidifying system to prevent condensation on the optics (due to temperature changes)

- 1) Operating range: recommended range with performance reserve
- 2) RK 85/7-10UC LED red: receive indicator
LED red flashing: switching state (LEDs illuminate at interruption)
- 3) -30°C with operating voltage continuously applied
- 4) 1=transient protection, 2=polarity reversal protection, 3=short circuit protection for all outputs,
4=interference blanking

Tables

RK 85/7
 RK 85/7 UC

Reflectors		Operating range
TK(S)	100x100	0.3 ... 6.0m
TK(S)	50x100	0.3 ... 5.5m
TK(S)	50x50	0.3 ... 4.5m
TK	82	0.5 ... 6.0m
Tape 2	100x100	0.4 ... 3.5m

TK ... = adhesive
 TKS ... = screw type
 Tape 2 = adhesive

Diagrams

Remarks

Order guide

Selection table		Order code →					
Equipment ↓		RK 85/7 Part No. 500 00497	RK 85/7-10 UC Part No. 500 21126				
Housing	metal	●	●				
Operating range	6m	●	●				
Connection	standard plug	●	●				
Features							
Voltage supply	230VAC	●					
	22 ... 250VAC/DC		●				
	special voltage	●					
Switching output	Relay	●	●				
Dehumidification		●	●				



RK 85

Retro-reflective photoelectric sensors



7.5m



- Wide voltage range 10 ... 30VDC with PNP switching output for PLC applications
- General light/dark switching and delay before start-up for optimal adaptation to applications
- Connection via standard plug with screw connector up to 1.5mm²

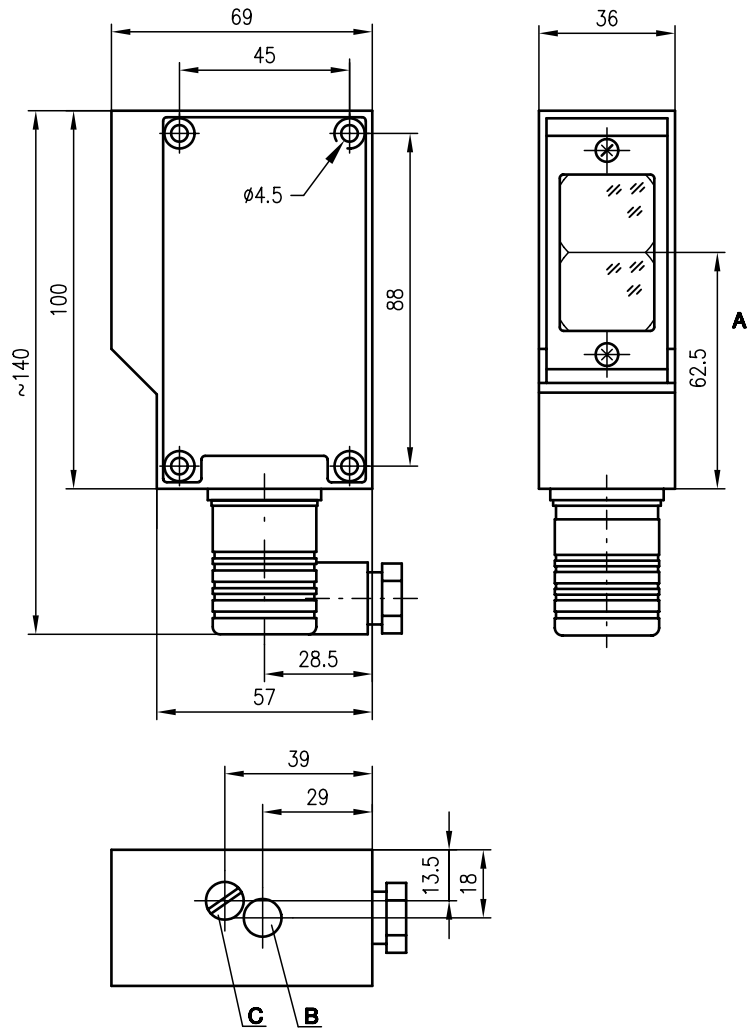


Accessories:

(available separately)

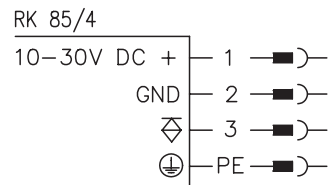
- Mounting systems (BT 85)
- Reflectors
- Reflective tapes

Dimensioned drawing



- A Optical axis
- B Indicator diode
- C Light/dark switching

Electrical connection



We reserve the right to make changes • 85_b01e.fm



Specifications

Optical data

Typ. operating range limit (TK(S) 100x100) ¹⁾ 7.5m
 Operating range ²⁾ see tables
 Light source LED (modulated light)
 Wavelength 880nm

Timing

Switching frequency 200Hz
 Response time 2.5ms
 Delay before start-up ≤ 200ms

Electrical data

Operating voltage U_B 10 ... 30VDC (incl. residual ripple)
 Residual ripple ≤ 15% of U_B
 Bias current ≤ 40mA
 Switching output PNP transistor output
 Function characteristics light or dark switching (reversible)
 Signal voltage high/low ≥ ($U_B - 2V$) / ≤ 2V
 Output current max. 100mA

Indicators

LED red light path free
 LED red flashing light path free, no performance reserve

Mechanical data

Housing diecast aluminium
 Optics cover glass
 Weight 340g
 Connection type standard plug with screw connector up to 1.5mm²

Environmental data

Ambient temp. (operation/storage) ³⁾ -20°C ... +55°C / -30°C ... +55°C
 Protective circuit ⁴⁾ 1, 2, 3, 4
 VDE safety class I, all-insulated
 Protection class IP 65
 LED class 1 (acc. to EN 60825-1)
 Standards applied IEC 60947-5-2

Options

De-humidifying system to prevent condensation on the optics (due to temperature changes)

- 1) Typ. operating range limit: max. attainable range without performance reserve
- 2) Operating range: recommended range with performance reserve
- 3) -30°C with operating voltage continuously applied
- 4) 1=transient protection, 2=polarity reversal protection, 3=short circuit protection for all outputs, 4=interference blanking

Tables

Reflectors		Operating range
●	■	
TK(S)	100x100	0.3 ... 6.0m
TK(S)	50x100	0.3 ... 5.5m
TK(S)	50x50	0.3 ... 4.5m
TK	82	0.5 ... 6.0m
Tape 2	100x100	0.4 ... 3.5m

TK ... = adhesive
 TKS ... = screw type
 Tape 2 = adhesive

Diagrams

Order guide

	Designation	Part No.
Retro-reflective photoelectric sensor	RK 85/4	500 00492

Remarks

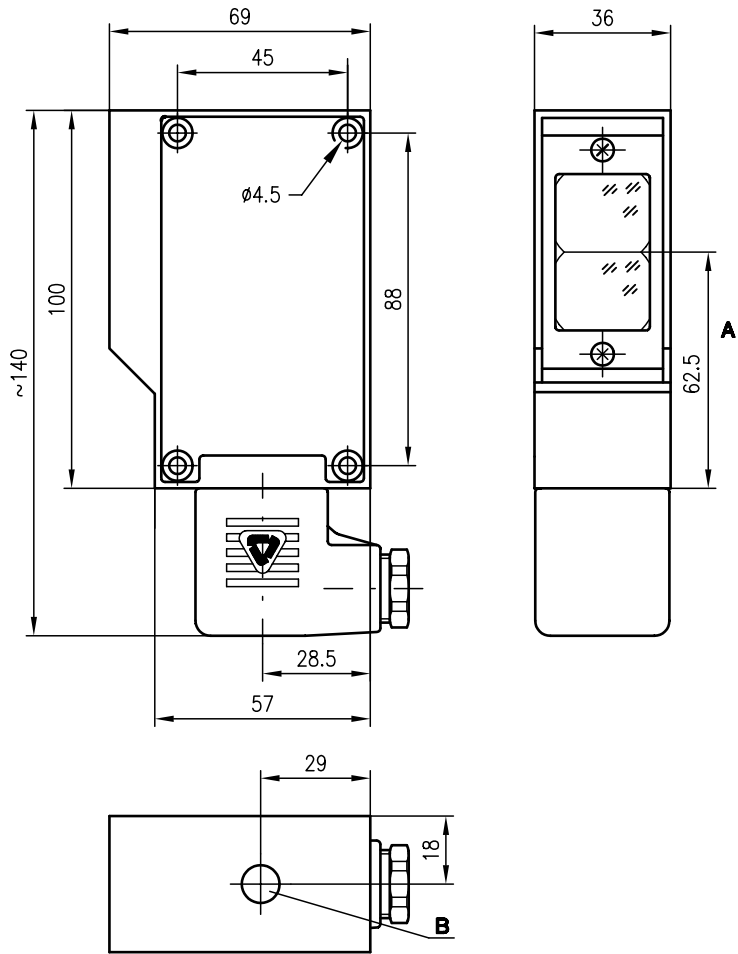


LS 85

Throughbeam photoelectric sensors



Dimensioned drawing



65m

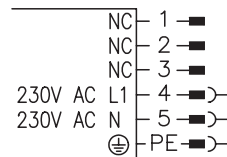


- AC version 230VAC with relay output
- Special voltages for universal application
- Light switching and delay before start-up for optimal adaptation to applications
- Connection via standard plug with screw connector up to 1.5mm²

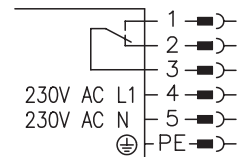
- A Optical axis
- B Indicator diode

Electrical connection

Transmitter



Receiver



Accessories:

(available separately)

- Mounting systems (BT 85)
- Alignment aid ARH 2

We reserve the right to make changes • 85_a02e.fm



Specifications

Optical data

Typ. operating range limit ¹⁾	0 ... 65m
Operating range ²⁾	0 ... 50m
Light source	LED (modulated light)
Wavelength	880nm

Timing

Sensor switching frequency	20Hz
Sensor response time	25ms
Delay before start-up	≤ 200ms

Electrical data

Operating voltage U _B	230VAC ± 10% 50/60Hz
Power consumption	2.5VA/3VA
Switching output	relay, 1 change-over contact
Function characteristics	light switching
Switching voltage, relay	250VAC/DC
Switching current, relay	250VAC 3A / 30V DC 3A
Switching power, relay	250VAC – 50W 250VAC 60VA ind. load

Indicators

LED yellow	light path free, alignment aid
------------	--------------------------------

Mechanical data

Housing	diecast aluminium
Weight	transmitter 460g, receiver 480g
Optics cover	glass
Connection type	standard plug with screw connector up to 1.5mm ²

Environmental data

Ambient temp. (operation/storage) ³⁾	-20°C ... +60°C/-30°C ... +70°C
Protective circuit ⁴⁾	1, 2, 3
VDE safety class	I, all-insulated
Protection class	IP 65
LED class	1 (acc. to EN 60825-1)
Standards applied	IEC 60947-5-2

Options

De-humidifying system	to prevent condensation on the optics (due to temperature changes)
------------------------------	--

- 1) Typ. operating range limit: max. attainable range without performance reserve
- 2) Operating range: recommended range with performance reserve
- 3) -30°C with operating voltage continuously applied
- 4) 1=transient protection, 2=polarity reversal protection, 3=short circuit protection

Tables

Diagrams

Order guide

	Designation	Part No.
Transmitter and receiver	LS 85/7	
Transmitter	LS 85/7 SE	500 00250
Receiver	LS 85/7 E	500 00251

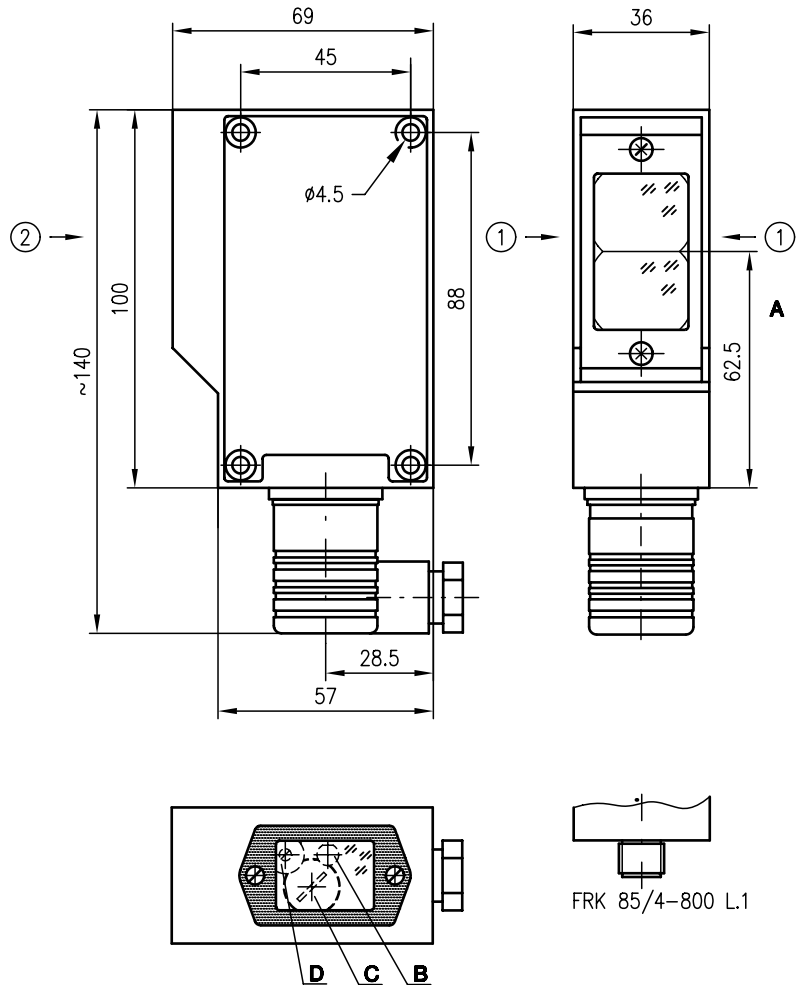
Remarks



FRK 85 Diffuse reflection light scanner with background suppression



Dimensioned drawing



FRK 85/4-800 L.1

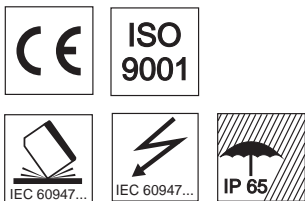
- A Optical axis
 - B Indicator diode
 - C Scanning range adjustment
 - D Light/dark switching
- Preferred entry direction for objects ① + ②

0.1 ... 0.8m



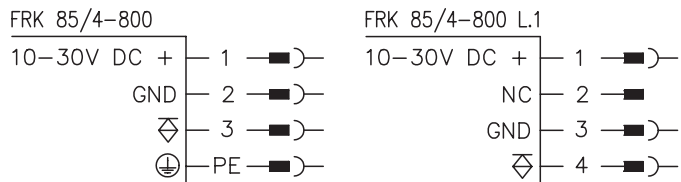
- Wide voltage range 10 ... 30VDC with PNP switching output for PLC applications
- General light/dark switching, sensitivity adjustment and delay before start-up provide for optimal adaptation to the application
- Connection via M12 connector or standard plug with screw connector up to 1.5mm²

Electrical connection



Accessories:

- (available separately)
- Mounting systems (BT 85)
 - M12 connectors (KD ...)



We reserve the right to make changes • 85_d01e.fm



Specifications

Optical data

Scanning range (white 90%) ¹⁾	100 ... 800mm,
Adjustment range	120 ... 800mm
Light source	LED (modulated light)
Wavelength	880nm

Timing

Sensor switching frequency	100Hz
Sensor response time	5ms
Delay before start-up	≤ 200ms

Electrical data

Operating voltage U _B	10 ... 30VDC (incl. residual ripple)
Residual ripple	≤ 15% of U _B
Bias current	≤ 40mA
Switching output	PNP transistor output
Function characteristics	light or dark switching (reversible)
Signal voltage high/low	≥ (U _B -2V)/≤ 2V
Output current	max. 100mA

Indicators

LED yellow on	reflection
LED yellow off	no reflection

Mechanical data

Housing	diecast aluminium
Weight	340g
Optics cover	glass
Connection type	M12 connector or standard plug with screw connector up to 1.5mm ²

Environmental data

Ambient temp. (operation/storage) ²⁾	-20°C ... +60°C/-30°C ... +70°C
Protective circuit ³⁾	1, 2, 3
VDE safety class	I, all-insulated (FRK 85/2-800, FRK 85/4-800) III, all-insulated (FRK 85/4-800 L.1)
Protection class	IP 65
LED class	1 (acc. to EN 60825-1)
Standards applied	IEC 60947-5-2

Options

De-humidifying system	to prevent condensation on the optics (due to temperature changes)
------------------------------	--

- 1) Scanning range: recommended range with performance reserve
- 2) -30°C with operating voltage continuously applied
- 3) 1=transient protection, 2=polarity reversal protection, 3=short circuit protection

Tables

Diagrams

Order guide

Selection table		Order code →					
Equipment ↓		FRK 85/4-800 Part No. 500 11203	FRK 85/4-800 L.1 Part No. 500 21434				
Housing	metal	●	●				
Scanning range	800mm	●	●				
Connection	standard plug	●					
	M12 connector ¹⁾		●				
Features							
Voltage supply	10 ... 30VDC	●	●				
Switching output	PNP	●	●				

1) not part of the delivery contents

Remarks

- With the set scanning range, a tolerance of the upper scanning range limit is possible depending on the reflection properties of the material surface.

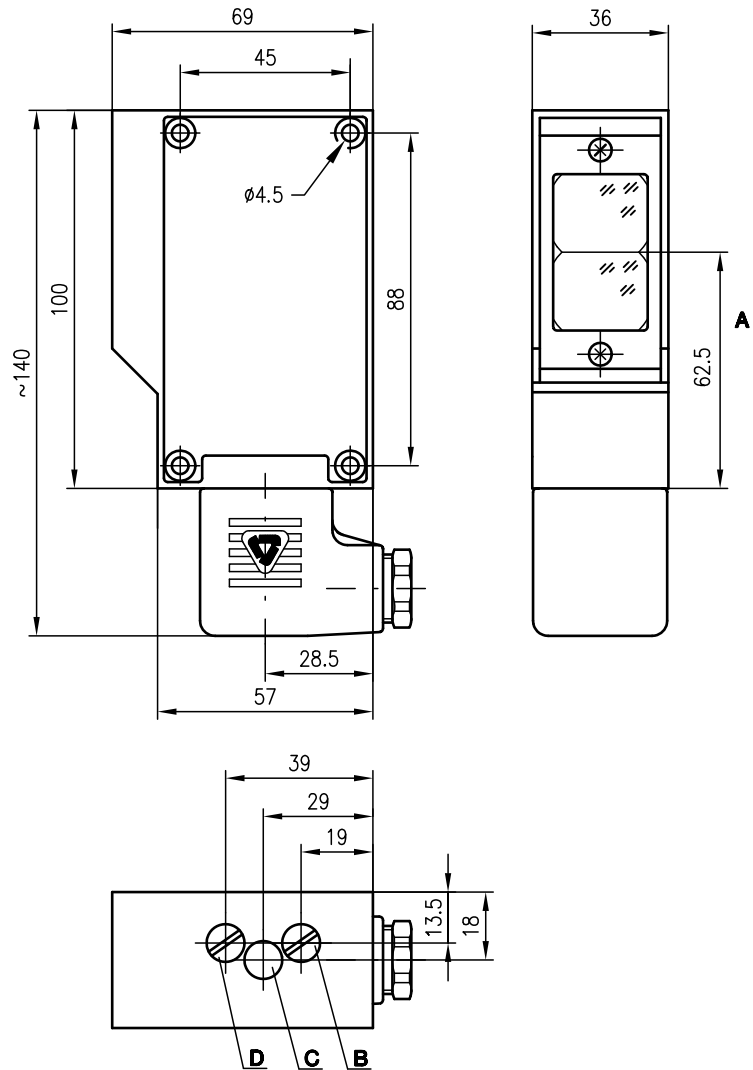
RK 85

Energetic diffuse reflection light scanner

en 04-2010/07 50114050



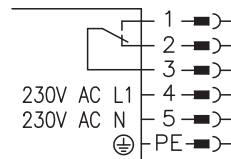
Dimensioned drawing



- A** Optical axis
- B** Sensitivity adjustment
- C** Indicator diode
- D** Light/dark switching

Electrical connection

RK 85/7-300
 RK 85/7-800
 RK 85/7-2000



0 ... 0.3m
 0 ... 0.8m
 0 ... 2.0m



- AC version 230VAC with relay output
- General light/dark switching, sensitivity adjustment and delay before start-up provide for optimal adaptation to the application
- Connection via standard plug with screw connection up to 1.5mm²



Accessories:

(available separately)

- Mounting systems (BT 85)

We reserve the right to make changes • DS_RK85_7_en.fm

Specifications

Optical data

Scanning range (white 90%) ¹⁾	0 ... 300mm, 0 ... 800mm, 0 ... 2000mm
Adjustment range	5 ... 100%
Light source	LED (modulated light)
Wavelength	880nm

Timing

Sensor switching frequency	20Hz
Sensor response time	25ms
Delay before start-up	≤ 200ms

Electrical data

Operating voltage UB	230VAC ± 10% 50/60Hz
Power consumption	4VA
Switching output	relay, 1 change-over contact
Function characteristics	light or dark switching (reversible)
Switching voltage, relay	250VAC/DC
Switching current, relay	250VAC 3A/30VDC 3A
Switching power, relay	250VAC 50watts 250VAC 60VA ind. load
Sensitivity	adjustable

Indicators

Red LED	no reflection, operating voltage connected
LED green	reflection, with performance reserve
LED yellow	reflection, no performance reserve

Mechanical data

Housing	diecast aluminium
Weight	490g
Optics cover	glass
Connection type	standard plug with screw connection up to 1.5mm ²

Environmental data

Ambient temp. (operation/storage) ²⁾	-20°C ... +60°C/-30°C ... +70°C
Protective circuit ³⁾	1, 2, 3
VDE safety class	I, all-insulated
Protection class	IP 65
LED class	1 (acc. to EN 60825-1)
Standards applied	IEC 60947-5-2

Options

De-humidifying system to prevent fogging of the optics (temperature change)

- 1) Scanning range: recommended range with performance reserve
 2) -30°C with continuously applied operating voltage
 3) 1=transient protection, 2=polarity reversal protection, 3=short circuit protection

Order guide

Selection table		Order code →					
Equipment ↓		RK 85/7-300 Part No. 500 00607	RK 85/7-800 Part No. 500 00612	RK 85/7-2000 Part No. 500 00617			
Housing	Metal	●	●	●			
Scanning range	300 mm	●					
	800 mm		●				
	2000 mm			●			
Connection	Connectors	●	●	●			
Features							
Voltage supply	230VAC	●	●	●			
Switching output	Relay	●	●	●			
Dehumidification		●	●	●			

Tables

Diagrams

Remarks

- In the case of badly reflecting materials, the lower and upper scanning limits may change.
- **Approved purpose:** This product may only be used by qualified personnel and must only be used for the approved purpose. This sensor is not a safety sensor and is not to be used for the protection of persons.