

PP2000



Pressure switch with ceramic measuring cell

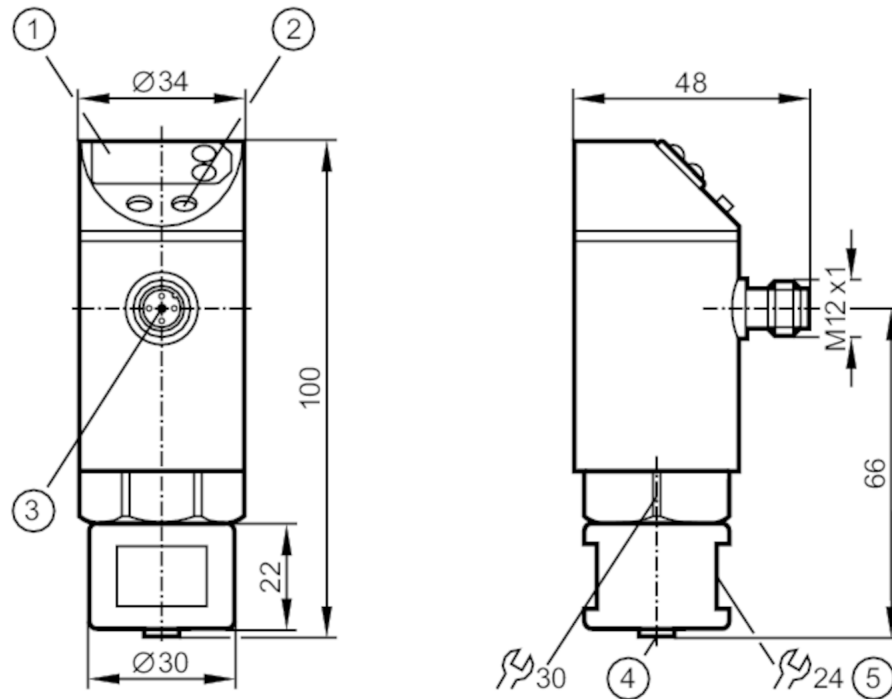
PP-PRG- /QFRKG/US/ /

Article no longer available - archive entry

Alternative articles: PP2001

When selecting an alternative article and accessories please note that technical data may differ!

supports EPS and IO-Link communication



- 1 7-segment LED display
- 2 Programming button
- 3 connection for voltage supply and output signals
- 4 connection for EPS sensor
- 5 Mounting nut



Product characteristics

Output signal: switching signal

Application

System: gold-plated contacts

Application: for industrial applications

Electrical data

Operating voltage [V]: 10.8...30 DC

Current consumption [mA]: < 60

Min. insulation resistance [MΩ]: 100; (500 V DC)

Protection class: III

Reverse polarity protection: yes

Power-on delay time [s]: 1.5

PP2000



Pressure switch with ceramic measuring cell

PP-PRG- /QFRKG/US/ /

| Outputs | | |
|--|--|-----------------------|
| Output signal | switching signal | |
| Max. voltage drop switching output DC [V] | 2 | |
| Permanent current rating of switching output DC [mA] | 250 | |
| Short-circuit protection | yes | |
| Type of short-circuit protection | yes (non-latching) | |
| Overload protection | yes | |
| Reaction times | | |
| Max. measuring/display cycle [ms] | 200 | |
| Software / programming | | |
| Parameter setting options | depending on the connected sensor | |
| Operating conditions | | |
| Ambient temperature [°C] | -25...80 | |
| Storage temperature [°C] | -40...100 | |
| Protection | IP 67 | |
| Tests / approvals | | |
| EMC | EN 61000-4-2 ESD | 4 kV CD / 8 kV AD |
| | EN 61000-4-3 HF radiated | 10 V/m |
| | EN 61000-4-4 Burst | 2 kV |
| | EN 61000-4-6 HF conducted | 10 V |
| Shock resistance | DIN IEC 68-2-27 | 50 g (11 ms) |
| Vibration resistance | DIN IEC 68-2-6 | 20 g (10...2000 Hz) |
| MTTF [years] | 188 | |
| Mechanical data | | |
| Weight [g] | 0.378 | |
| Dimensions [mm] | 100 x 34 x 48 | |
| Material | stainless steel (1.4404 / 316L); EPDM/X; CO-PC; PBT; FKM | |
| Displays / operating elements | | |
| Display | Switching status | LED, red |
| | Function display | 7-segment LED display |
| | Measured values | 7-segment LED display |
| Accessories | | |
| Items supplied | Patchcords: 0,8 m, for parameter setting in the offline mode | |
| Remarks | | |
| Pack quantity | 1 pcs. | |

PP2000

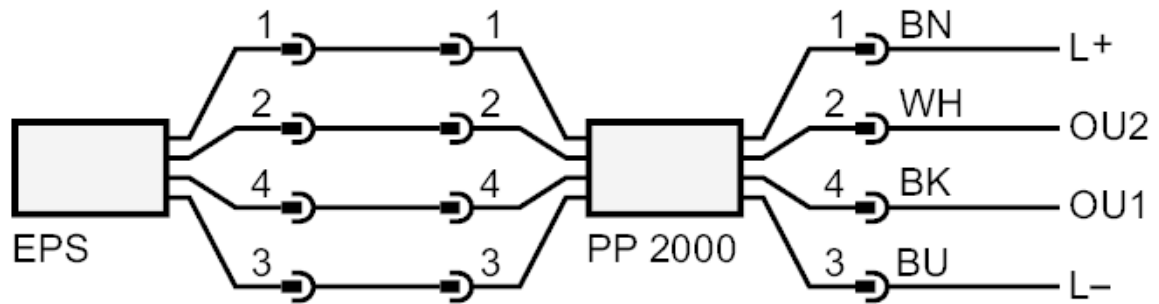


Pressure switch with ceramic measuring cell

PP-PRG- /QFRKG/US/ /

Electrical connection

Connection



Connector: 1 x M12; Contacts: gold-plated