

T coupler M12 male / M12 female

T-coupler

Male straight – females straight

M12 – M12

5-pole

Distribution function (NO)

Plastic housings with good resistance against chemicals and oils.

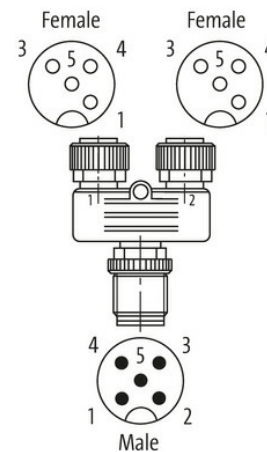
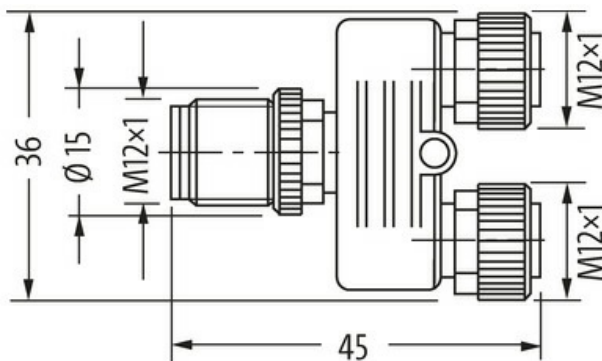
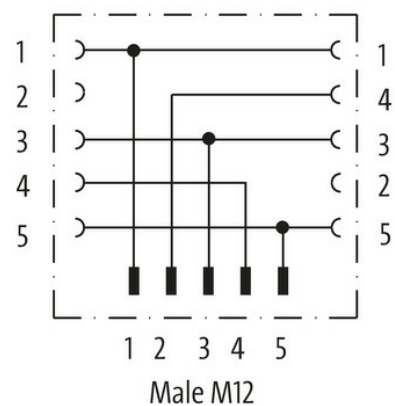
The resistance to aggressive media should be individually tested for your application. Further details on request.

Link to Product

Illustration



1. Female M12 2. Female



Product may differ from Image



Form

Form 41121

Technical Data

Operating voltage max. 60 V AC/DC

Operating voltage (only UL listed) 30 V AC/DC

Rated surge voltage	1.5 kV
Operating current per contact	max. 4 A
Material group	IEC 60664-1, category I
Locking of ports	Screw thread (M12×1 mm) recommended torque 0.6 Nm, self-securing
Protection	IP67 inserted and tightened (EN 60529)
Locking material	Zinc die casting, matte nickel plated

General data

Pollution Degree	3
Temperature range	-25...+85 °C

Commercial data

country of origin	DE
customs tariff number	85366990
EAN	4048879144872
eClass	27143423
Packaging unit	1.000