

NTL6-B12

NT6

CONTRAST SENSORS

SICK
Sensor Intelligence.



Illustration may differ



Ordering information

Type	Part no.
NTL6-B12	1008616

Other models and accessories → www.sick.com/NT6

Detailed technical data

Features

Dimensions (W x H x D)	80 mm x 30.4 mm x 64 mm
Sensing distance	Dependent on the fiber-optic cable
Sensing distance tolerance	Dependent on the fiber-optic cable
Housing design (light emission)	Rectangular
Light source	LED, Red, Infrared light ¹⁾
Wave length	660 nm, 880 nm
Light emission	Long and short side of housing, exchangeable
Pull-up/Pull-down resistor	22 k OHM
Adjustment	Potentiometer
Function	Light/dark switching

¹⁾ Average service life of 10,000 h at T_A = +25 °C.

Mechanics/electronics

Supply voltage	10 V DC ... 30 V DC
Ripple	≤ 5 V _{pp} ¹⁾
Current consumption	< 80 mA ²⁾
Switching frequency	10 kHz ³⁾
Response time	> 50 μs
Switching output	PUSH/PULL
Switching output (voltage)	B: HIGH = U _v - < 2 V / LOW = < 2 V
Analog output	0.15 V ... 6 V ⁴⁾

¹⁾ May not exceed or fall below U_v tolerances.

²⁾ Without load.

³⁾ With light/dark ratio 1:1.

⁴⁾ Internal resistor 10 k OHM.

⁵⁾ Do not bend below 0 °C.

Output current I_{\max}.	200 mA
Connection type	Cable with male connector, 2 m ⁵⁾
Circuit protection	U _V connections, reverse polarity protected Output Q short-circuit protected Interference pulse suppression
Enclosure rating	IP67
Housing material	Metal, zinc diecast

1) May not exceed or fall below U_V tolerances.

2) Without load.

3) With light/dark ratio 1:1.

4) Internal resistor 10 k OHM.

5) Do not bend below 0 °C.

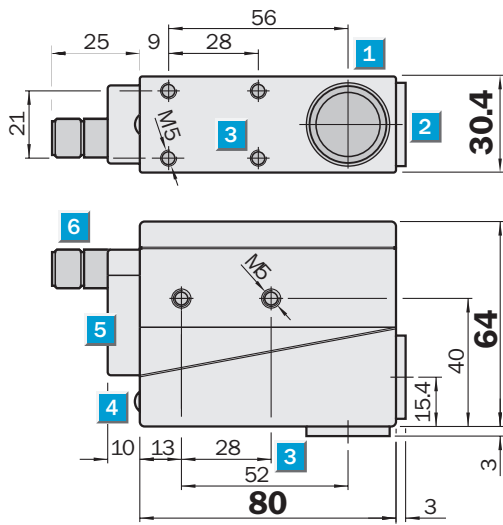
Ambient data

Ambient operating temperature	0 °C ... +50 °C
Ambient storage temperature	-25 °C ... +75 °C

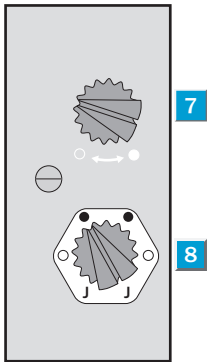
Classifications

ECl@ss 5.0	27270906
ECl@ss 5.1.4	27270906
ECl@ss 6.0	27270906
ECl@ss 6.2	27270906
ECl@ss 7.0	27270906
ECl@ss 8.0	27270906
ECl@ss 8.1	27270906
ECl@ss 9.0	27270906
ECl@ss 10.0	27270906
ECl@ss 11.0	27270906
ETIM 5.0	EC001820
ETIM 6.0	EC001820
ETIM 7.0	EC001820
UNSPSC 16.0901	39121528

Dimensional drawing (Dimensions in mm (inch))



Adjustments



- ⑦ Adjusters for switching threshold
- ⑧ Adjusters for operating modes

SICK AT A GLANCE

SICK is one of the leading manufacturers of intelligent sensors and sensor solutions for industrial applications. A unique range of products and services creates the perfect basis for controlling processes securely and efficiently, protecting individuals from accidents and preventing damage to the environment.

We have extensive experience in a wide range of industries and understand their processes and requirements. With intelligent sensors, we can deliver exactly what our customers need. In application centers in Europe, Asia and North America, system solutions are tested and optimized in accordance with customer specifications. All this makes us a reliable supplier and development partner.

Comprehensive services complete our offering: SICK LifeTime Services provide support throughout the machine life cycle and ensure safety and productivity.

For us, that is “Sensor Intelligence.”

WORLDWIDE PRESENCE:

Contacts and other locations –www.sick.com