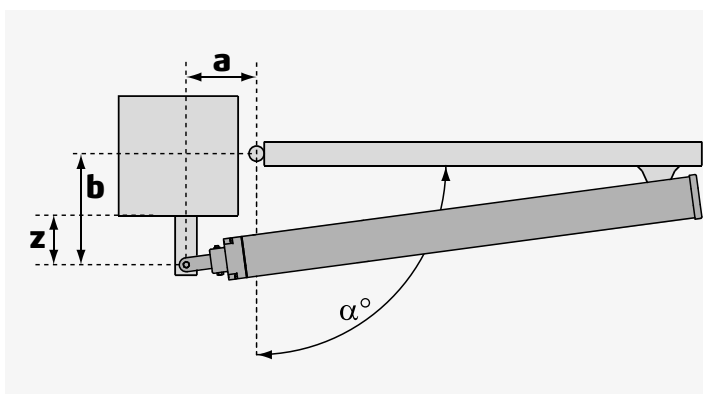
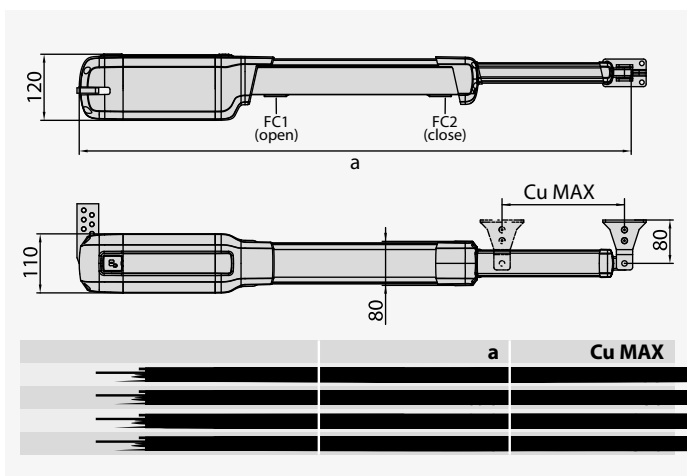


Complete range of electromechanical pistons for residential use, suitable for swing gate leaves up to 4 metres wide and weighing up to 500 kg.

Quick and practical installation: the new KUSTOS BT A operators are designed to allow quick and easy installation, thanks to a number of important measures such as the covered worm screw, integrated stops, magnetic limit switches and the magnetic locking pin.

Dimension (mm)



INSTALLATION DIMENSIONS

		KUSTOS BT A 25 - KUSTOS ULTRA BT A 25												
z > 60 (mm)	b (mm)	a (mm)												
		100	110	120	130	140	150	160	170	180	190			
100	99				114	118	110	104	100	96	93			
110	102			108	112	110	103	97	96	92				
120	103	103		107	110	105	99	96	92					
130	101	102	106	109	101	96	92							
140	100	100	100	95	92									
150	97	100	97	92										
160	97	100	97	92										
170	96	97	92											
180	96	92												
190	92													α°

		KUSTOS BT A 40 - KUSTOS ULTRA BT A 40												
z > 60 (mm)	b (mm)	a (mm)												
		100	110	120	130	140	150	160	170	180	190	200	210	220
100	99					117	120	123	126	119	113	108	104	101
110	102				112	116	119	121	122	116	110	105	105	
120	103			107	110	114	117	120	117	111	106	102		
130	101	103	106	109	113	116	117	113	107	102				
140	101	102	105	108	112	115	113	110	103					
150	101	104	107	110	113	110	104							
160	100	104	107	109	110	105								
170	100	103	106	108	105									
180	100	103	106	107										
190	99	102	105											
200	98	101												
210	98													
220	95													α°

Technical features

	KUSTOS ULTRA BT A10	KUSTOS ULTRA BT A1+
Control unit	THALIA	THALIA
Board power supply	230 V	230 V
Motor voltage	24 V	24 V
Power consumption	40 W	40 W
Max. width of door/gate wing	2,50 m	4 m
Max. weight of door/gate wing	400 kg	500 kg
Useful rod stroke	250 mm	355 mm
Maximum angle	118 °	126 °
Cycle time	13 s	17 s
Type of limit switch	Magnetic	Magnetic
Slowdown	Yes	Yes
Locking	Mechanical	Mechanical
Release	Personal key	Personal key
Impact reaction	D-Track	D-Track
Frequency of use	intensive	intensive
Protection rating	IP44	IP44
Environmental conditions	-20 ÷ 55 °C	-20 ÷ 55 °C

Code	Name	Description
P920101 ♦♦♦♦2	KUSTOS ULTRA BT AT0	Irreversible electro-mechanical operator 24 V for swing gates up to 400 kg in weight and up to 2.5 m in length with covered worm screw. Integrated mechanical stops. Covered worm screw Magnetic limit switch
P920102 ♦♦♦♦2	KUSTOS ULTRA BT AT♦	Irreversible electro-mechanical operator 24 V for swing gates up to 500 kg in weight and up to 4 m in length with covered worm screw. Integrated mechanical stops. Covered worm screw Magnetic limit switch
R920208 ♦♦♦♦0	KUSTOS ULTRA BT KIT AT0 FRA	Complete kit 24 V for swing gates up to 400 kg in weight and up to 2.5 m in length. Operators with covered worm screw (IP44). Integrated mechanical stops. Covered worm screw Magnetic limit switch
R920211 ♦♦♦♦0	KUSTOS ULTRA BT KIT AT♦ FRA	Complete kit 24 V for swing gates up to 500 kg in weight and up to 4 m in length. Operators with covered worm screw (IP44). Integrated mechanical stops. Covered worm screw Magnetic limit switch

THALIA: Control panel with display for one or two 24V electromechanical operators for swing gates



D112740 ♦♦♦♦2- THALIA - Recommended



- Application: control panel with display for one or two 24V electromechanical operators for swing gates
- Card power supply: 230 V single-phase
- Operators power supply: 24Vdc 180W max each operator
- Main features: new standard colour removable terminal blocks, simplified scenario-based programming with display and integrated dual-channel receiver, D-Track anti-crushing system, slowdown during opening and closing and electronic self-learning.
- Main functions: automatic re-closing, fast closing, partial opening, deadman feature
- Compatibility: LIBRA, LIBRA R, LIBRA MA R

RECOMMENDED ACCESSORIES

	D113747 00002 - THALIA P		N733646 - ARB KUSTOS FRONT
	Control panel for one or two 24V electromechanical and hydraulic operators for swing gates with electric lock management, for highly complex systems		Front adjustable fixing brackets for Kustos BT A
	D730178 - PLE		new N735002 - SFR B
	Anchor plate for welding the mountings to masonry pillars for LUX, ORO, PHOBOS operators		Adjustable wall bracket, short, for linear swing-gate motors (excluding P4.5-P7)
	new N735003 - SFR-L B		new N735002 00001 - SFR B - COMPLETE
	Adjustable wall bracket, long, for linear swing-gate motors (excluding P4.5-P7)		Adjustable wall bracket, short, for linear swing-gate motors (excluding P4.5-P7), with flat bracket
	new N735003 00001 - SFR-L B - COMPLETE		N999404 - CABLE N BT
	Adjustable wall bracket, long, for linear swing-gate motors (excluding P4.5-P7), with flat bracket		Control unit connecting cable for PHOBOS BT A, KUSTOS BT A. Coil of 100 m, 3x1,5.
	P125020 - BBT BAT		new D114093 00003 - RADIUS LED BT A R1
	Set of backup batteries for THALIA and THALIA P		Flashing light with incorporated antenna for motors with 24 V power supply.
	new D114168 00003 - RADIUS LED BT A R1 W		P111782 - COMPACTA AT♦-V♦
	Flashing light with incorporated antenna for motors with 24 V power supply. White flashing light.		Pair of photocells adjustable 180° horizontally. 20 metre range. 12-33 VAC/15-35 VDC power supply.



This document was created with the Win2PDF "print to PDF" printer available at <http://www.win2pdf.com>

This version of Win2PDF 10 is for evaluation and non-commercial use only.

This page will not be added after purchasing Win2PDF.

<http://www.win2pdf.com/purchase/>