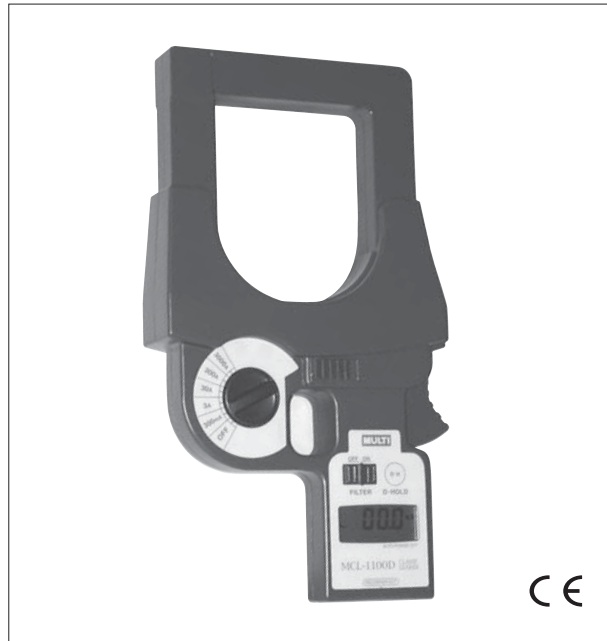


BIG WINDOW DIGITAL CLAMP TESTER

AC CURRENT/LEAKAGE, AC CURRENT

Model **MCL-1100D**

1mA ~ 3000A 5ranges



FEATURES

- 108 × 128mm big CT window.
- DC mV analog data output for recorder.
- Wide ranges for 0.1mA — 3000A
 Safety Standavd : CAT. II 600V

SPECIFICATIONS

Measuring method	True rms reading	
Display	3.5 digit LCD	
Accuracy	(23°C ± 5°C, 80% RH or less)	
Range	Resolution	Accuracy
300mA	0.1mA	± 1.5% rdg ± 8dgt (50/60Hz)
3A	0.001A	
30A	0.01A	
300A	0.1A	
3000A	1A	
Jaw opening capability	108mmφ	
Overload indication	"OL" mark	
Maximum indication	3200	
Low battery indication	"B" mark on LCD readout	
Sampling	2 times/s	
Data hold indication	"D · H" mark on LCD readout	
Data output	DC 300mV (Full count)	
Withstanding voltage	AC3700V	
Limitation of circuit voltage	Less than AC 500V	
Operating temperature	0°C to 40°C, <80% RH	
Storage temperature	-10°C to 60°C, <70% RH	
Power supply	UM-4(1.5V) × 2	
Power consumption	6mW	
Battery life	200hours (By alkaline batteries)	
Size	194(W) × 341.5(H) × 52(D)mm	
Weight	Approx. 1900g	
Accessories	Carrying case 1 Instruction manual 1 Batteries(UM-4) 2	

Model **MCL-3000D**

30A/300A/3000A 3ranges



FEATURES

- 108 × 128mm big CT window.
- DC mV analog data output for recorder.
- Wide ranges for 0.1mA — 3000A
 Safety Standavd : CAT. III 600V

SPECIFICATIONS

Measuring method	True rms reading	
Display	3.5 digit LCD	
Accuracy	(23°C ± 5°C, 80% RH or less)	
Range	Resolution	Accuracy
30A	0.01A	± 1.5% rdg ± 8dgt (50/60Hz)
300A	0.1A	
3000A	1A	
Jaw opening capability	108mmφ	
Overload indication	On the LCD readout	
Maximum indication	3200	
Low battery indication	"B" mark on LCD readout	
Sampling	2 times/s	
Data hold indication	"D · H" mark on LCD readout	
Data output	DC 300mV (Full count)	
Withstanding voltage	AC5550V	
Limitation of circuit voltage	Less than AC 500V	
Operating temperature	0°C to 40°C, <80% RH	
Storage temperature	-10°C to 60°C, <70% RH	
Power supply	UM-4(1.5V) × 2	
Power consumption	6mW	
Battery life	200hours (By alkaline batteries)	
Size	194(W) × 341.5(H) × 52(D)mm	
Weight	Approx. 1850g	
Accessories	Carrying case 1 Instruction manual 1 Batteries(UM-4) 2	