

## HCH - HYDRAULIC CUTTER HEADS



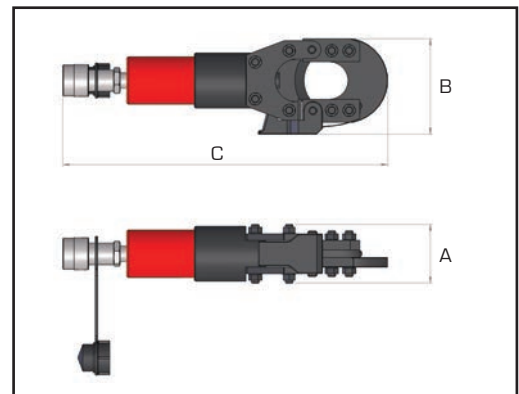
Cutting capacity up to 120mm diameter

Working pressure 700 Bar

Compact and lightweight

The HCH cutter head range cuts a wide range of materials and offers 2 models with similar features to the CT range of self-contained cutters. A comprehensive range of suitable manually operated and powered hydraulic pumps suitable for use with Hi-Force HCH cutters is detailed on pages 29 to 50.

Model number	Cutting force tonnes	Weight kg	Dimensions in mm		
			A	B	C
<b>HCH40</b>	7	2.8	62	101	247
<b>HCH120</b>	13	15.0	76	250	600



Material	Description	Maximum diameter cutting capacity in mm	
		HCH40	HCH120
<b>Steel Wire Rope</b>	6x7 Hempcore	20	30
	6x12 Hempcore	25	36
	6x19 Hempcore	25	36
<b>Round Bar</b>	Soft copper bar	25	40
	Soft aluminium bar	22	40
	Soft steel bar	16	-
<b>Wire Strands</b>	Bare copper strands	32	50
	Bare aluminium strands	32	50
<b>Cable</b>	Telephone cable CCP	40	120
	Lead sheathed telephone cable	40	120
	Armoured underground cable	40	120

Replacement blades for HCH hydraulic cutter models :

Blade Part number	Blade type	For Cutter
<b>CT40-11</b>	Moving	HCH40
<b>CT40-05</b>	Static	HCH40
<b>HCH120-01</b>	Moving	HCH120
<b>HCH120-02</b>	Static	HCH120



Did you know .....

HCH cutters can be operated with battery powered pumps. For more details, see page 37 of this catalogue.