

HLCM...

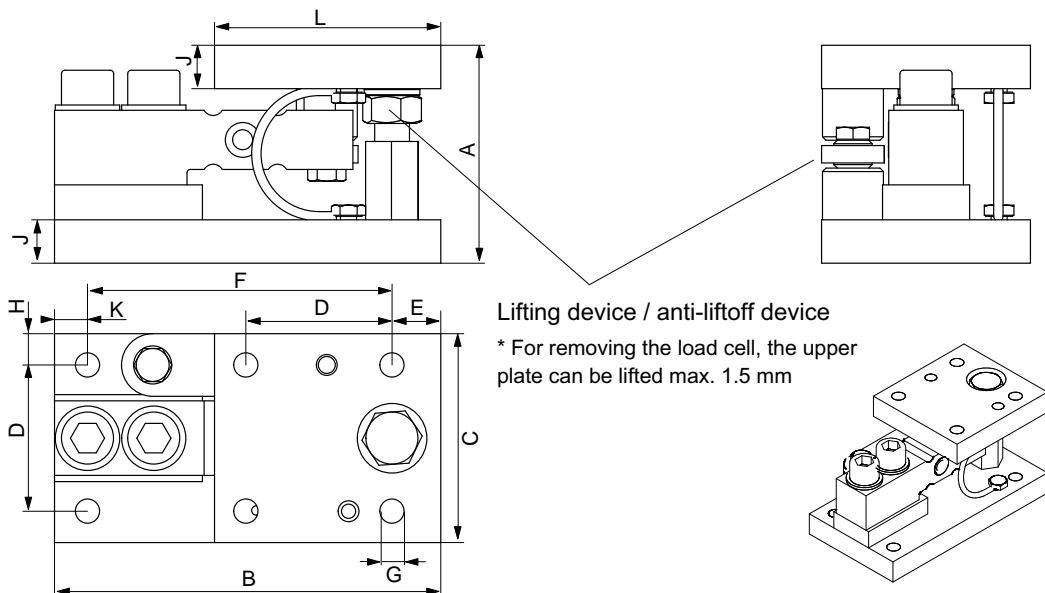
Weighing module for
110 kg ... 4.4 t



Special features

- Equipped with load cell HLCB class D1 or C3, qualified for legal for trade applications according to OIML R60
- Compact installation at minimum installation height
- With stay rod
- Self-restoring due to pendle bearing
- Two versions available:
 - Galvanized material
 - Stainless steel (preferred types)
- With anti-liftoff device and lifting device
- Ex protection versions as per ATEX, IECEx, FM (US) and EAC (optional)

Dimensions (in mm; 1 mm= 0.03937 inches)



Max. capacity	A	B	C	D	E	F	ØG	H	J	K	L
110 kg; 220 kg; 550 kg; 1.1 t; 1.76 t; 2 t	93.6 \pm 1.6	170	100	70	17	136	13.5	15	19	17	104
2.2 t	125.3 \pm 2	220	120	84	25.5	175	14	18	23	19.5	135
4.4 t	125.3 \pm 2	220	120	84	25.5	175	14	18	23	19.5	135

Specifications

Maximum capacity		110 kg; 220 kg; 550 kg; 1.1 t	1.76 t	2.2 t; 4.4 t
Limit load	HLC/MLB... HLC/MLBR...	% of maximum capacity	150	150 120
Breaking load		% of maximum capacity	200	
Restoring force (for 1 mm side offset)		% of applied load	7.7	
Max. permissible horizontal shift transverse to the stay rod axis ¹⁾		mm	1.5	
Max. permissible static horizontal force in stay rod axis		kN	10	22
Max. permissible lifting force		kN	20	44
Material			Galvanized or Stainless steel ²⁾	
Weight (depending on version, incl. load cell)		kg	7 ... 10	

¹⁾ For horizontal adjustment of upper module plate

²⁾ According to EN 10088-1

For additional information on the appropriate load cells, please refer to the Data sheet HLC...

Options

Explosion protection versions per IECEx, ATEX and FM (USA)

AI1/21 IECEx+ATEX zone 1/21 + FM intrinsically safe, II 2G Ex ia IIC T6/T4 Gb, II 2D Ex ia IIIC T125°C Db *

AI2/21** IECEx+ATEX zone 2/21 non intrinsically safe, II 3G Ex ec IIC T6/T4 Gc, II 2D Ex tb IIIC T125°C Db*

* With EU type examination certificate (BVS13ATEX E 108 X) and IECEx Certificate of Conformity (IECEx BVS 13.0109 X)

** Option AI2/21 IEC + ATEX zone 2/21 includes zone 2/22

Ex protection versions per EAC (Eurasian economic union with the member states: Russia, Belarus, Kazakhstan, ...)

R1/21 EAC zone 1/21 TR ZU 012/2011 Ex certificate, 1 Ex ia IIC T6/T4 Gb X / Ex ia IIIC T125°C Db X***

R2/21 EAC zone 2/21 TR ZU 012/2011 Ex certificate, 2 Ex nA IIC T6/T4 Gc X / Ex tb IIIC T125°C Db X***

*** With certificate "СЕРТИФИКАТ СООТВЕТСТВИЯ № TC RU C-DE.ГБ08.В.01138"

Placing orders

When placing an order please specify the ordering numbers from the tables. If you need other versions (accuracy classes, explosion protection, other cable lengths or materials, etc.) for the available products, please look in the overview "HLC/M-Modules (incl. load cell HLCB...), optional versions" on the next page. You can generate a specific ordering number there from your individual requirements.

Ordering codes HLC/M3LB-Modules (incl. load cell HLCB...), preferred types

Type	HLC/M3LB
Material	Stainless steel ¹⁾
Accuracy class	C3 (OIML)
Maximum capacity	Order no.
110 kg	1-HLC/M3LBR110KG
220 kg	1-HLC/M3LBR220KG
550 kg	1-HLC/M3LBR550KG
1.1 t	1-HLC/M3LBR1.1T
1.76 t	1-HLC/M3LBR1.76T
2.2 t	1-HLC/M3LBR2.2T
4.4 t	1-HLC/M3LBR4.4T

¹⁾ According to EN 10088-1


HLC/M-Modules (incl. load cell HLCB...), optional versions

Order no.
K-HLCM

Code	Option 1: Material
V	Galvanized
R	Stainless steel

Code	Option 2: Accuracy
D1	D1 (OIML)
C3	C3 (OIML)

Code	Option 3: Capacity
110	110 kg [only with Option 4 = N/(AI1/21)]
220	220 kg
550	550 kg
1100	1.1 t
1760	1.76 t
2200	2.2 t
4400	4.4 t

Code	Option 4: Explosion protection
N	No Explosion protection
AI1/21	IECEX-ATEX Zone 1/21 and FM  [not with Option 3 = 110]
AI2/21	IECEX-ATEX Zone 2/22
R1/21	EAC Zone 1/21
R2/21	EAC Zone 2/21

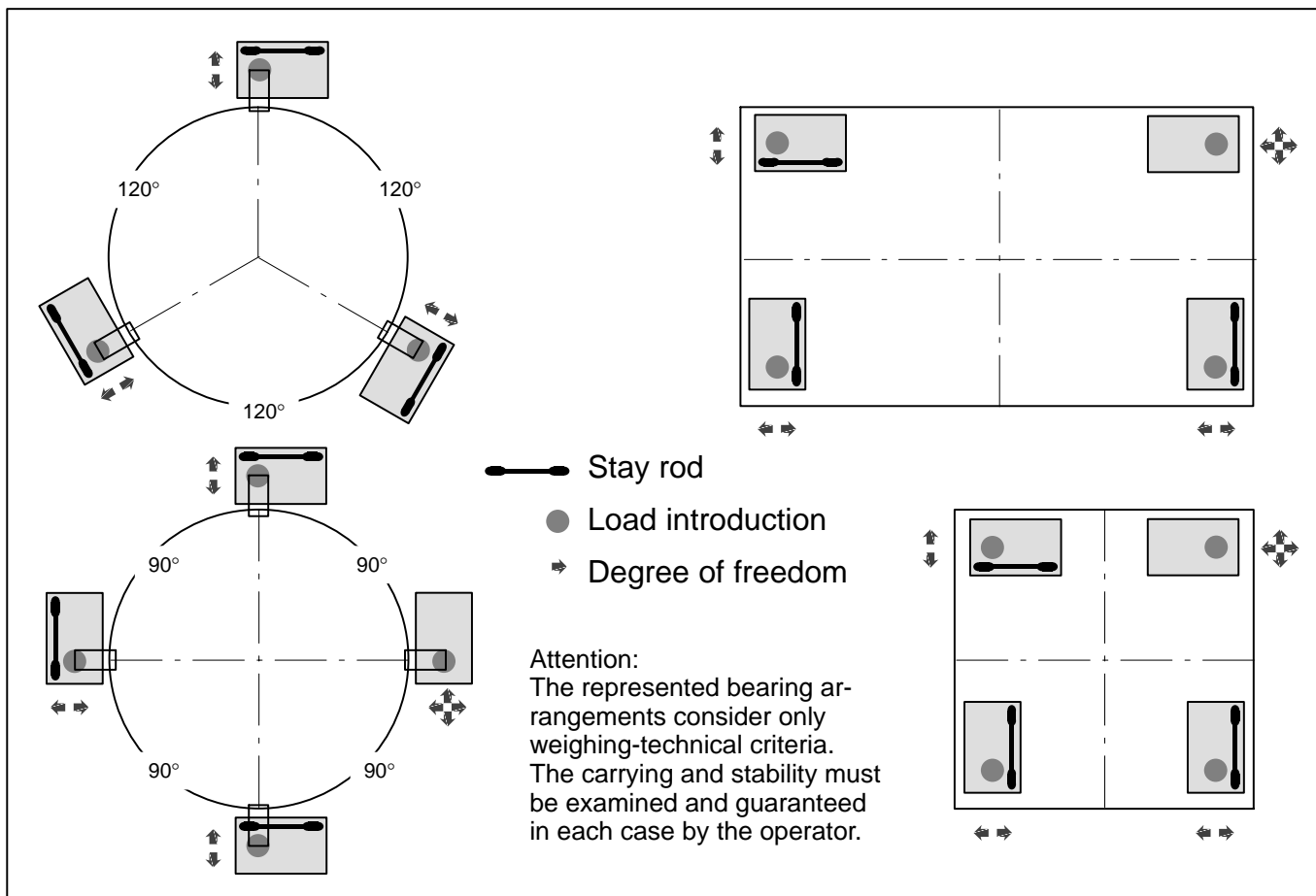
Code	Option 5: Cable length
S3	3 m (Standard) [only with Option 3 = 110/220/550/1100/1760]
S6	6 m (Standard) [only with Option 3 = 2200/4400]
6	6 m [only with Option 3 = 110/220/550/1100/1760]
12	12 m
20	20 m [only with Option 6 = B2]
3R	3 m metal braiding [only with Option 3 = 110/220/550/1100/1760]
6R	6 m metal braiding [only with Option 6 = B2]
12R	12 m metal braiding [only with Option 6 = B2]

Code	Option 6: Load cell type
B1	HLCB1 (Standard)
B2	HLCB2 [only with Option 2 = C3]



Not all codes can be combined with each other. Please take heed of the terms in the square brackets!

Mounting example of weighing modules with stay rods:



Scope of supply

Weighing module complete mounted with pendle support, stay rod, grounding cable and load cell type HLCB

Subject to modifications.
 All product descriptions are for general information only. They are not to be understood as a guarantee of quality or durability.

Hottinger Baldwin Messtechnik GmbH
 Im Tiefen See 45 · 64293 Darmstadt · Germany
 Tel. +49 6151 803-0 · Fax +49 6151 803-9100
 Email: info@hbm.com · www.hbm.com

measure and predict with confidence

