



API

Flanged Safety Relief Valves
Series 526

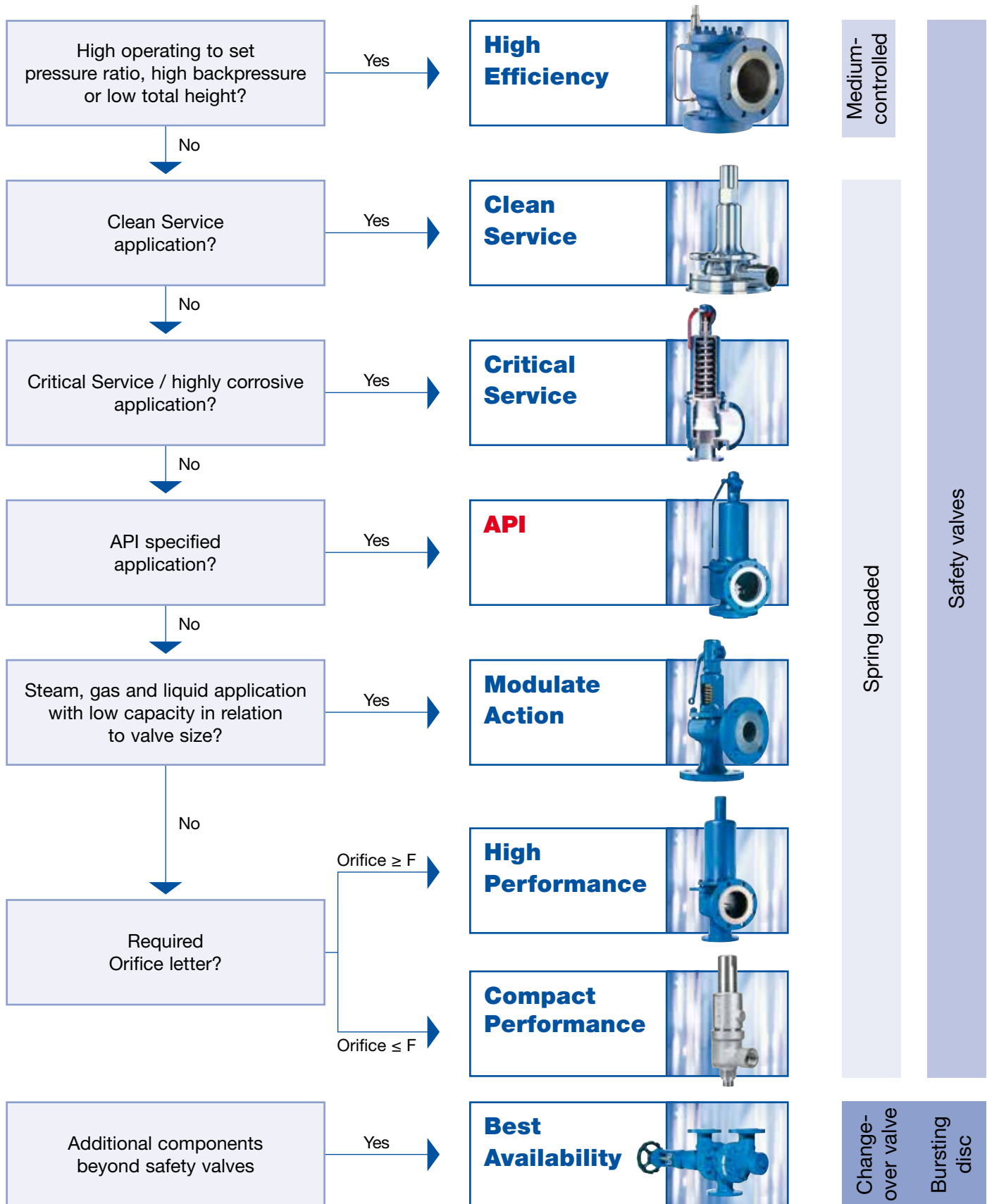
EXTENDED CATALOG

LESER

The-Safety-Valve.com

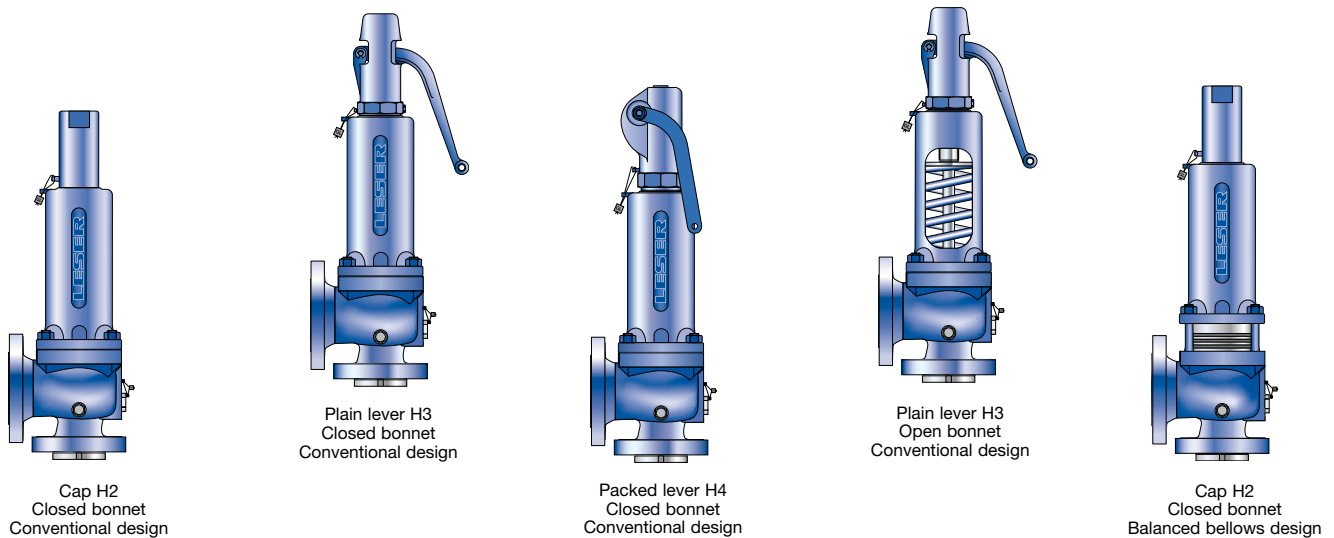
Valve finder

How to find the right product group



Contents

	Page		Page
General	2	Type 526	7
Valve finder	2	Materials	
General Information	4	• Conventional design	8
		• Balanced bellows design	10
		Article numbers	
		• Overview	12
		Type 526X SAFUREX	14
		Dimensions	
		• Metric units	16
		• US units	18
		Weights	
		• Metric units	20
		• US units	21
		Orifice D – T	22
		• Selection charts	22
		• Article numbers, dimensions and weights	23
		• Pressure temperature ratings [Metric + US units]	24
		Available options	78
		API Alloy Concept	80
		NACE-Compliant Safety Valves	81
		Flange drillings	82
		Type 526	97
		Outlet flange rating class 300	84
		Flange facings	87
		LESER Original Spare Parts Kits	88
		Approvals	89
		Capacities	
		• Steam [Metric + US units]	90
		• Air [Metric + US units]	92
		• Water [Metric + US units]	94
		Determination of coefficient of discharge K_{dr} / α_w	96
		Options	97
		Caps and levers	98
		Bolted caps and levers	100
		Metal seat	102
		Soft seal disc	104
		Soft seal selection	106
		Balanced bellows	108
		Bug screen	110
		High temperature equipment	111
		INCONEL X-750 spring, O-ring damper	112
		Lift indicator	113
		Heating jacket	114



General Information



The API product group represents

- ✓ Full range of spring loaded safety valves acc. to API 526
- ✓ State-of-the-art design from the safety valve specialist
- ✓ Competitive solutions for the API market

API safety valves from LESER

- Are designed to meet all applications which require API.
- Open rapidly with an overpressure of max. 10 % to the full design lift.
- Have a maximum blowdown of 7 % for steam/gas service and 20% for liquid service.
- Are developed in a close cooperation with plant engineers and service specialists.
- Serve for protection of processes and equipment.
- Are approved by all important approval organisations worldwide which ensures the worldwide applicability e.g.:
 - European Community: CE-marking acc. to Pressure Equipment Directive (PED) 97 / 23 / EC and EN ISO 4126-1
 - USA: UV-stamp acc. to ASME Section VIII Division 1, National Board certified capacities
 - Germany: VdTÜV approval acc. to PED, EN ISO 4126-1, TÜV SV 100 and AD 2000-Merkblatt A2
 - Canada: Canadian Registration Number acc. to the requirements of particular provinces
 - China: AQSIQ based on the approval acc. to ASME Section VIII Division 1 and AD 2000-Merkblatt A2
 - Eurasian Custom Union: Approval acc. to Eurasian Custom Union (EAC - Eurasian Conformity)

Furthermore, all LESER API safety valves are designed, marked, produced and approved acc. to the requirements of the following regulations (directives, codes, rules and standards).

EN ISO 4126-7, EN 12266-1/-2, EN 1092 Part I and II flanging
 ASME PTC 25, ASME-Code Sec. II, ASME B 16.34 and
 ASME B16.5- flanging, API Std. 527, API RP 576,
 AD 2000-Merkblatt A4, AD 2000-Merkblatt HP0



General Information

Applications

LESER – API safety valves offer ultimate protection against overpressure in all applications for steam, gases and liquids.

LESER's API Series safety valves present the simple safe solution for heavy duty applications, such as crude oil extraction, transportation and processing in

- Refineries
- Chemical industry
- Petrochemical industry
- Oil and gas – Onshore and Offshore
- Vessels and piping systems
- Blow-down systems
- Storage tank farms

General design features

LESER's API Series covers a large variety of types, materials and options to fit any application:

- Design fully in accordance with API 526 for easy interchangeability
- Complete API 526 range: valve sizes 1" through 8", orifice D through T
- Materials: WCB, WCC, CF8M, WC6, LCB, LCC, and a wide range of special materials to fulfill the requirements of critical applications
- Special B³ design for high back pressure applications and material requirements far beyond API Standard
- Fool proof design with fewer parts for built-in safety
- Integral cast support brackets for easy handling and safe installation
- Open or closed bonnet, packed or plain lifting lever or gastight cap
- Flanged connections according ASME and DIN guarantee a worldwide applicability
- One design and spring (single trim) for steam, gas and liquid applications reduces the number of spare parts and ensures low cost maintenance management.
- One-piece spindle reduces friction which leads to high operation accuracy
- Self-draining body design, avoids residues and reduces corrosion
- Horizontal installation

Options

- Special connections specified by the customer for optimised adaptation to the plant.
- Stellite or hardened metal sealing for longer product life
- Soft seat solutions for superior tightness
- Balanced bellows for back pressure compensation
- Heating jackets for applications with high viscosity fluids
- Any and every part can be produced in special material exactly to meet customer specification requirements

Type 526
Flanged Safety Relief Valves
– spring loaded

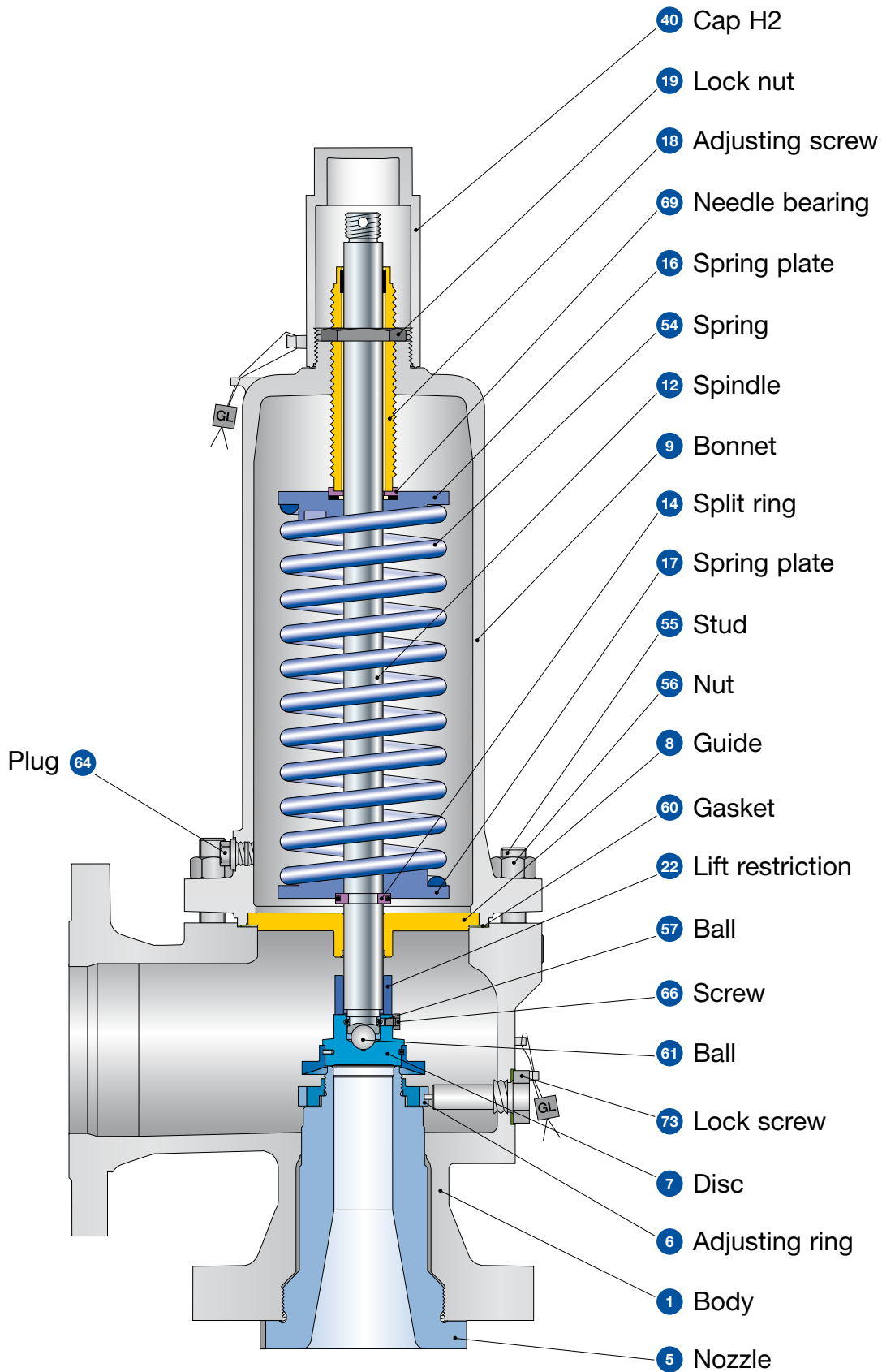


Type 526
 Packed lever H4
 Closed bonnet
 Conventional design

Contents	Page
Materials	
• Conventional design	8
• Balanced bellows design	10
Article numbers	
• Overview	12
Type 526X SAFUREX	14
Dimensions	
• Metric units	16
• US units	18
Weights	
• Metric units	20
• US units	21
Orifice D – T	
• Selection charts	22
• Article numbers, dimensions and weights	23
• Pressure temperature ratings [Metric units + US units]	24
Available options	78
API Alloy Concept	80
Sour gas service (NACE)	81
Flange drillings	82
Outlet flange rating class 300	84
Flange facings	87
LESER Original Spare Parts Kits	88
Approvals	89
Capacities	
• Steam [Metric units + US units]	90
• Air [Metric units + US units]	92
• Water [Metric units + US units]	94
Determination of coefficient of discharge K_{dr}/α_w	96

Type 526
Conventional design

Type 526



Type 526

Conventional design

Materials

Item	Component	Standard Service Type 5262 Trim: Standard	Corrosive Service Type 5264 Trim: Standard	Type 5267 Trim: Standard	Type 5263 Trim: Standard
1	Body	1.0619	1.4408	1.7357	
		SA 216 WCB	SA 351 CF8M	SA 217 WC6	SA 352 LCB
5	Nozzle ¹⁾	1.4408	1.4408	1.4408 stellited	1.4408
		CF8M	CF8M	CF8M stellited	CF8M
6	Adjusting ring	1.4408	1.4408	1.4408	1.4408
		CF8M	CF8M	CF8M	CF8M
7	Disc	1.4122	1.4404 stellited	1.4122	1.4122
		Hardened stainless steel	316L stellited	Hardened stainless steel	Hardened stainless steel
8	Guide with bushing	1.0501	1.4404	1.4404	1.0501
		Steel	316L	316L	Steel
		1.4104 tenifer	-	-	1.4104 tenifer
		Chrome steel tenifer	-	-	Chrome steel tenifer
9	Bonnet	1.0619	1.4408 ²⁾	1.7357	
		SA 216 WCB	SA 351 CF8M	SA 217 WC6	SA 352 LCB
		1.0305 ⁴⁾	1.4571 / 1.4404 ³⁾	1.0305 ⁴⁾	1.0305 ⁴⁾
		Steel	SA 479 316Ti / 316L	Steel	Steel
12	Spindle	1.4021	1.4404	1.4021	1.4021
		420	316L	420	420
14	Split ring	1.4104	1.4404	1.4104	1.4104
		Chrome steel	316L	Chrome steel	Chrome steel
16 / 17	Spring plate	1.0718 ³⁾	1.4404	1.0718 ⁵⁾	1.0718 ⁵⁾
		Steel	316L	Steel	Steel
18	Adjusting screw with bushing	1.4104	1.4404 tenifer	1.4104	1.4104
		Chrome steel	316L tenifer	Chrome steel	Chrome steel
		PTFE 15% glass	PTFE 15% glass	PTFE 15% glass	PTFE 15% glass
		PTFE 15% glass	PTFE 15% glass	PTFE 15% glass	PTFE 15% glass
19	Lock nut	1.0718	1.4404	1.0718	1.0718
		Steel	316L	Steel	Steel
22	Lift restriction	1.4404	1.4404	1.4404	1.4404
		316L	316L	316L	316L
40	Cap H2	1.0460 / 0.7040	1.4404	1.0460 / 0.7040	1.0460 / 0.7040
		SA 105 / Gr. 60-40-18	316L	SA 105 / Gr. 60-40-18	SA 105 / Gr. 60-40-18
54	Spring	1.7102, 1.8159	1.4310	1.7102, 1.8159	1.7102, 1.8159
		High temp. alloy steel	Stainless steel	High temp. alloy steel	High temp. alloy steel
55	Stud	1.4401	1.4401	1.4401	1.4401
		B8M	B8M	B8M	B8M
56	Nut	1.4401	1.4401	1.4401	1.4401
		8M	8M	8M	8M
57	Ball	1.4401	1.4401	1.4401	1.4401
		316	316	316	316
60	Gasket	Graphite / 1.4401	Graphite / 1.4401	Graphite / 1.4401	Graphite / 1.4401
		Graphite / 316	Graphite / 316	Graphite / 316	Graphite / 316
61	Ball	1.3541	1.4401	1.3541	1.3541
		Hardened stainless steel	316	Hardened stainless steel	Hardened stainless steel
64	Plug	Steel	1.4401	Steel	Steel
		Steel	B8M	Steel	Steel
66	Screw	1.4401	1.4401	1.4401	1.4401
		B8M	B8M	B8M	B8M
69	Needle bearing	1.4404	1.4404	1.4404	1.4404
		316L	316 L	316L	316L
73	Lock screw	1.4404	1.4404	1.4404	1.4404
		316L	316L	316L	316L

¹⁾ Stellited sealing surfaces please refer to page 102. LESER reserves also to use the nozzle material 1.4404 / 316L. ²⁾ Valve sizes up to 2" ³⁾ Valve sizes ≥ 3"
⁴⁾ Valve size 6 R 10, 8 T 10 and 6 Q 8 in high pressure design (Option code Z90). ⁵⁾ For valve sizes 6 Q 8, 6 R 10 and 8 T 10 in high pressure design: 1.4122 / chrome steel.

Please notice:

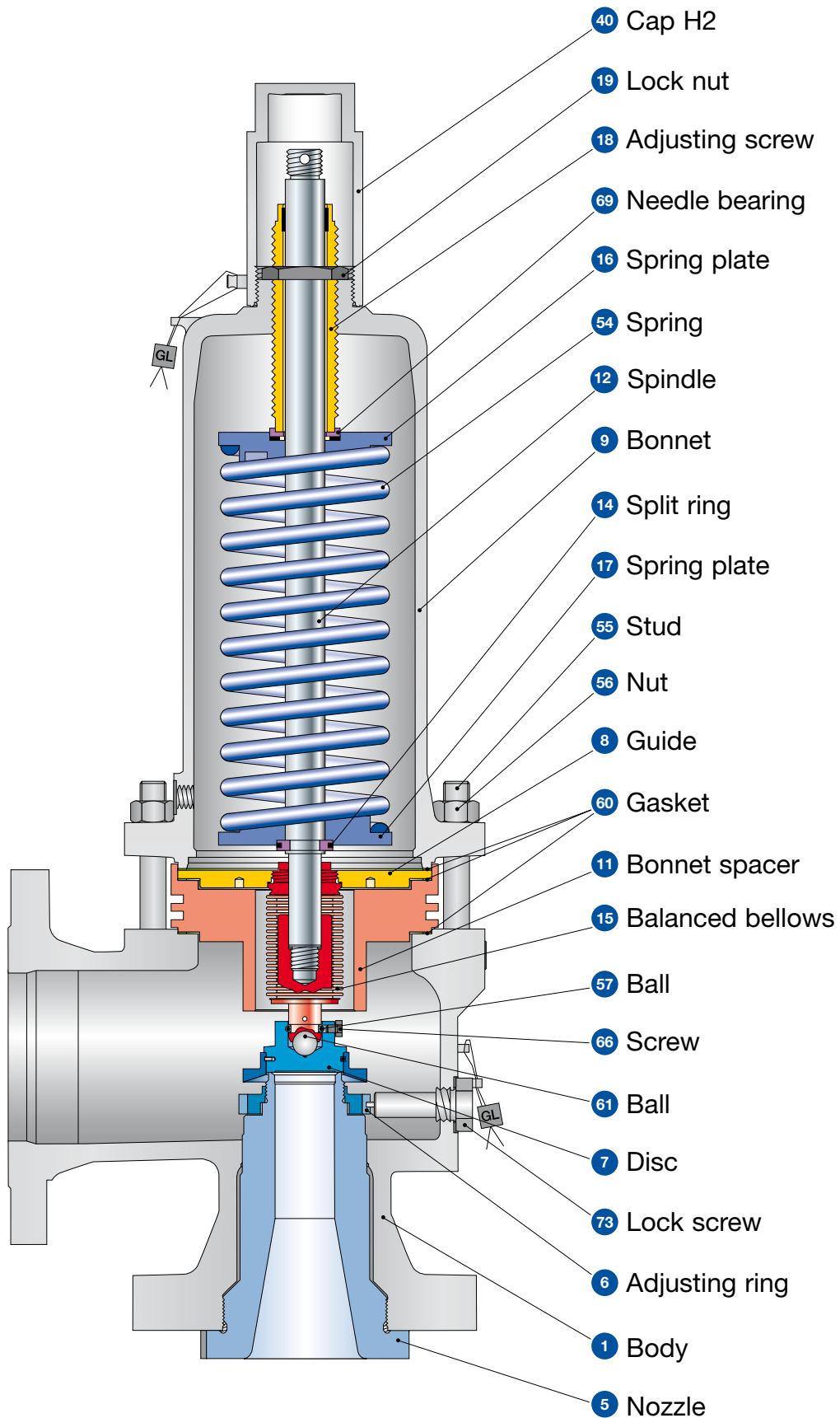
- Modifications reserved by LESER.
- If several materials are specified LESER defines the material.
- LESER can upgrade materials without notice.
- Every part can be replaced by other material acc. to customer specification.

Special materials:

See API Alloy Concept page 80.

Type 526
Balanced bellows design

Type 526



Type 526

Balanced bellows design

Materials

Item	Component	Standard Service Type 5262 Trim: Standard		Corrosive Service Type 5264 Trim: Standard		Type 5267 Trim: Standard		Type 5263 Trim: Standard		
1	Body	1.0619		1.4408		1.7357				
		SA 216 WCB		SA 351 CF8M		SA 217 WC6		SA 352 LCB		
5	Nozzle ¹⁾	1.4408		1.4408		1.4408 stellited		1.4408		
		CF8M		CF8M		CF8M stellited		CF8M		
6	Adjusting ring	1.4408		1.4408		1.4408		1.4408		
		CF8M		CF8M		CF8M		CF8M		
7	Disc	1.4122		1.4404 stellited		1.4122		1.4122		
		Hardened stainless steel		316L stellited		Hardened stainless steel		Hardened stainless steel		
8	Guide	1.4404		1.4404		1.4404		1.4404		
		316 L		316L		316L		316L		
9	Bonnet	1.0619		1.4408 ²⁾		1.7357				
		SA 216 WCB		SA 351 CF8M		SA 217 WC6		SA 352 LCB		
		1.0305 ⁴⁾		1.4571 / 1.4404 ³⁾		1.0305 ⁴⁾		1.0305 ⁴⁾		
		Steel		SA 479 316Ti / 316L		Steel		Steel		
11	Bonnet spacer ⁵⁾	1.0460		1.4404 ⁷⁾		1.4404 ⁷⁾		1.4404 ⁷⁾		
		SA 105		SA 479 316L		SA 479 316L		SA 479 316L		
12	Spindle	1.4021		1.4404		1.4021		1.4021		
		420		316L		420		420		
14	Split ring	1.4104		1.4404		1.4104		1.4104		
		Chrome steel		316L		Chrome steel		Chrome steel		
15	Bellows	End pieces	2.4856	1.4404	2.4856	1.4404	2.4856	1.4404	2.4856	1.4404
			Inconel 625	316L	Inconel 625	316L	Inconel 625	316L	Inconel 625	316L
16 / 17	Spring plate	1.0718 ⁴⁾		1.4404		1.0718 ⁶⁾		1.0718 ⁶⁾		
		Steel		316L		Steel		Steel		
18	Adjusting screw with bushing	1.4104		1.4404 tenifer		1.4104		1.4104		
		Chrome steel		316L tenifer		Chrome steel		Chrome steel		
		PTFE 15% glass		PTFE 15% glass		PTFE 15% glass		PTFE 15% glass		
		PTFE 15% glass		PTFE 15% glass		PTFE 15% glass		PTFE 15% glass		
19	Lock nut	1.0718		1.4404		1.0718		1.0718		
		Steel		316L		Steel		Steel		
40	Cap H2	1.0460 / 0.7040		1.4404		1.0460 / 0.7040		1.0460 / 0.7040		
		SA 105 / Gr. 60-40-18		316L		SA 105 / Gr. 60-40-18		SA 105 / Gr. 60-40-18		
54	Spring	1.7102, 1.8159		1.4310		1.7102, 1.8159		1.7102, 1.8159		
		High temp. alloy steel		Stainless steel		High temp. alloy steel		High temp. alloy steel		
55	Stud	1.4401		1.4401		1.7709		1.4401		
		B8M		B8M		B16		B8M		
56	Nut	1.4401		1.4401		1.7258		1.4401		
		8M		8M		7M		8M		
57	Ball	1.4401		1.4401		1.4401		1.4401		
		316		316		316		316		
60	Gasket	Graphite / 1.4401		Graphite / 1.4401		Graphite / 1.4401		Graphite / 1.4401		
		Graphite / 316		Graphite / 316		Graphite / 316		Graphite / 316		
61	Ball	1.3541		1.4401		1.3541		1.3541		
		Hardened stainless steel		316		Hardened stainless steel		Hardened stainless steel		
66	Screw	1.4401		1.4401		1.4401		1.4401		
		B8M		B8M		B8M		B8M		
69	Needle bearing	1.4404		1.4404		1.4404		1.4404		
		316L		316L		316L		316L		
73	Lock screw	1.4404		1.4404		1.4404		1.4404		
		316L		316L		316L		316L		

¹⁾ Stellited sealing surfaces please refer to page 102. LESER reserves also to use the nozzle material 1.4404 / 316L. ²⁾ Valve sizes up to 2" ³⁾ Valve sizes ≥ 3"

⁴⁾ Valve size 6 R 10, 8 T 10 and 6 Q 8 in high pressure design (Option code Z90). ⁵⁾ Valve size 1 1/2 D 3, 1 1/2 E 3, 1 1/2 F 3, 6 R 10 and 8 T 10 without bonnet spacer.

⁶⁾ For valve sizes 6 Q 8, 6 R 10 and 8 T 10 in high pressure design: 1.4122 / chrome steel. ⁷⁾ LESER reserves also to use material 1.4408/CF8M.

Please notice:

- Modifications reserved by LESER.
- If several materials are specified LESER defines the material.
- LESER can upgrade materials without notice.
- Every part can be replaced by other material acc. to customer specification.

Special materials:

See API Alloy Concept page 80.

Type 526

Article numbers

Overview

Material	WCB	CF8M	WC6	LCB	WCB	CF8M	WC6	LCB	WCB	CF8M	WC6	LCB
	1.0619	1.4408	1.7357		1.0619	1.4408	1.7357		1.0619	1.4408	1.7357	
Flange class	150 x 150				300L x 150				300 x 150			
Valve size	1 D 2				1 D 2				1 D 2			
D	5262.001 ^o	5264.010 ^o	-	5263.500 ^o	Use 1 D 2 300 x 150				5262.002 ^o	5264.011 ^o	5267.006 ^o	5263.501 ^o
E	1 E 2				1 E 2				1 E 2			
	5262.015 ^o	5264.024 ^o	-	5263.505 ^o	Use 1 E 2 300 x 150				5262.016 ^o	5264.025 ^o	5267.020 ^o	5263.506 ^o
F	1 1/2 F 2				1 1/2 F 2				1 1/2 F 2			
	5262.029 ^o	5264.039 ^o	-	5263.510 ^o	5262.030 ^o	5264.040 ^o	-	5263.511 ^o	5262.031 ^o	5264.041 ^o	5267.035 ^o	5263.512 ^o
G	1 1/2 G 3				1 1/2 G 3				1 1/2 G 3			
	5262.045 ^o	5264.110 ^o	-	5263.516 ^o	5262.046 ^o	5264.111 ^o	-	5263.517 ^o	5262.047 ^o	5264.112 ^o	5267.052 ^o	5263.518 ^o
Flange class	150 x 150				300L x 150				300 x 150			
Valve size	1 1/2 H 3				1 1/2 H 3				2 H 3			
H	5262.142 ^o	5264.152 ^o	-	5263.523 ^o	5262.143 ^o	5264.153 ^o	-	5263.524 ^o	5262.144 ^o	5264.154 ^o	5267.148 ^o	5263.525 ^o
J	2 J 3				2 J 3				3 J 4			
	5262.162 ^o	5264.196 ^o	-	5263.529 ^o	5262.163 ^o	5264.197 ^o	-	5263.530 ^o	5262.164 ^o	5264.198 ^o	5267.168 ^o	5263.531 ^o
K	3 K 4				3 K 4				3 K 4			
	5262.202 ^o	5264.211 ^o	-	5263.535 ^o	Use 3 K 4 300 x 150				5262.203 ^o	5264.212 ^o	5267.207 ^o	5263.536 ^o
Flange class	150 x 150				300L x 150				300 x 150			
Valve size	3 L 4				3 L 4				4 L 6			
L	5262.232 ^o	5264.242 ^o	-	5263.540 ^o	5262.233 ^o	5264.243 ^o	-	5263.541 ^o	5262.234 ^o	5264.244 ^o	5267.238 ^o	5263.542 ^o
M	4 M 6				4 M 6				4 M 6			
	5262.580 ^o	5264.587 ^o	-	5263.546 ^o	Use 4 M 6 300 x 150				5262.581 ^o	5264.588 ^o	5267.584 ^o	5263.547 ^o
N	4 N 6				4 N 6				4 N 6			
	5262.590 ^o	5264.597 ^o	-	5263.550 ^o	Use 4 N 6 300 x 150				5262.591 ^o	5264.598 ^o	5267.594 ^o	5263.551 ^o
P	4 P 6				4 P 6				4 P 6			
	5262.645 ^o	5264.653 ^o	-	5263.554 ^o	5262.646 ^o	5264.654 ^o	-	5263.555 ^o	5262.647 ^o	5264.655 ^o	5267.650 ^o	5263.556 ^o
Q	6 Q 8				6 Q 8				6 Q 8			
	5262.657 ^o	5264.662 ^o	-	5263.559 ^o	Use 6 Q 8 300 x 150				5262.658 ^o	5264.663 ^o	5267.660 ^o	5263.560 ^o
R	6 R 8				6 R 8				6 R 10			
	5262.665 ^o	5264.671 ^o	-	5263.562 ^o	5262.666 ^o	5264.672 ^o	5267.669 ^o	5263.563 ^o	5262.667 ^o	5264.673 ^o	-	5263.564 ^o
T	8 T 10				8 T 10				8 T 10			
	5262.675 ^o	5264.678 ^o	-	5263.566 ^o	Use 8 T 10 300 x 150				5262.676 ^o	5264.679 ^o	5267.677 ^o	5263.567 ^o

Material	WCB	CF8M	WC6	LCB	WCB	CF8M	WC6	LCB	WCB	CF8M	WC6	LCB	WCB	CF8M	WC6	LCB
	1.0619	1.4408	1.7357		1.0619	1.4408	1.7357		1.0619	1.4408	1.7357		1.0619	1.4408	1.7357	
Flange class	600 x 150				900 x 300				1500 x 300				2500 x 300			
Valve size	1 D 2				1 1/2 D 2				1 1/2 D 2				1 1/2 D 3			
D	5262.003 ^o	5264.012 ^o	5267.007 ^o	5263.502 ^o	Use 1 1/2 D 2 1500 x 300				5262.004 ^o	5264.013 ^o	5267.008 ^o	5263.503 ^o	5262.005 ^o	5264.014 ^o	5267.009 ^o	5263.504 ^o
E	1 E 2				1 1/2 E 2				1 1/2 E 2				1 1/2 E 3			
E	5262.017 ^o	5264.026 ^o	5267.021 ^o	5263.507 ^o	Use 1 1/2 E 2 1500 x 300				5262.018 ^o	5264.027 ^o	5267.022 ^o	5263.508 ^o	5262.019 ^o	5264.028 ^o	5267.023 ^o	5263.509 ^o
F	1 1/2 F 2				1 1/2 F 3				1 1/2 F 3				1 1/2 F 3			
F	5262.032 ^o	5264.042 ^o	5267.036 ^o	5263.513 ^o	Use 1 1/2 F 3 1500 x 300				5262.033 ^o	5264.043 ^o	5267.037 ^o	5263.514 ^o	5262.034 ^o	5264.044 ^o	5267.038 ^o	5263.515 ^o
G	1 1/2 G 3				1 1/2 G 3				2 G 3				2 G 3			
G	5262.048 ^o	5264.113 ^o	5267.053 ^o	5263.519 ^o	5262.049 ^o	5264.114 ^o	5267.054 ^o	5263.520 ^o	5262.050 ^o	5264.115 ^o	5267.055 ^o	5263.521 ^o	5262.051 ^o	5264.116 ^o	5267.056 ^o	5263.522 ^o
Flange class	600 x 150				900 x 150				1500 x 300							
Valve size	2 H 3				2 H 3				2 H 3							
H	5262.145 ^o	5264.155 ^o	5267.149 ^o	5263.526 ^o	5262.146 ^o	5264.156 ^o	5267.150 ^o	5263.527 ^o	5262.147 ^o	5264.157 ^o	5267.151 ^o	5263.528 ^o				
J	3 J 4				3 J 4				3 J 4							
J	5262.165 ^o	5264.199 ^o	5267.169 ^o	5263.532 ^o	5262.166 ^o	5264.200 ^o	5267.170 ^o	5263.533 ^o	5262.167 ^o	5264.201 ^o	5267.171 ^o	5263.534 ^o				
K	3 K 4				3 K 6				3 K 6							
K	5262.204 ^o	5264.213 ^o	5267.208 ^o	5263.537 ^o	5262.205 ^o	5264.214 ^o	5267.209 ^o	5263.538 ^o	5262.206 ^o	5264.215 ^o	5267.210 ^o	5263.539 ^o				
Flange class	600 x 150				900 x 150				1500 x 150							
Valve size	4 L 6				4 L 6				4 L 6							
L	5262.235 ^o	5264.245 ^o	5267.239 ^o	5263.543 ^o	5262.236 ^o	5264.246 ^o	5267.240 ^o	5263.544 ^o	5262.237 ^o	-	5267.241 ^o	5263.545 ^o				
M	4 M 6				4 M 6											
M	5262.582 ^o	5264.589 ^o	5267.585 ^o	5263.548 ^o	5262.583 ^o	-	5267.586 ^o	5263.549 ^o								
N	4 N 6				4 N 6											
N	5262.592 ^o	5264.599 ^o	5267.595 ^o	5263.552 ^o	5262.593 ^o	-	5267.596 ^o	5263.553 ^o								
P	4 P 6				4 P 6											
P	5262.648 ^o	5264.656 ^o	5267.651 ^o	5263.557 ^o	5262.649 ^o	-	5267.652 ^o	5263.558 ^o								
Q	6 Q 8															
Q	5262.659 ^o	5264.664 ^o	5267.661 ^o	5263.561 ^o												
R	6 R 10															
R	5262.668 ^o	5264.674 ^o	5267.670 ^o	5263.565 ^o												
T	8 T 10															
T	-	-	-	-												

^o) Please add code for the required cap or lifting device.

Code for lifting device				
Lifting device	H2	H3	H4	H3
Bonnet	closed	closed	closed	open
WCB 1.0619, WC6 1.7357, LCB	2	3	4	5
CF8M 1.4408	2	-	4	-

Type 526

Product solution: Urea Synthesis design

Type 526

Application-oriented valve configuration for urea synthesis section and other applications with corrosive and sticky media. Due to the steam-purged design the crystallization of the carbamat gas is prevented.

Design features:

- block body design in Safurex (subject to licensor approval) or other corrosion-resistant materials
- steam-purged design

For detailed information please see specification sheet LID_DE_1352.03 or Sales brief Urea Plants (0777.5744).



UREA Synthesis section safety valve

Valve size	3 x 4
Standard Orifice acc. to API 526	J
Weight	

Body material: SAFUREX

Flange rating class

PN 325 x CL300	Art. No. 526X.	9052
		on request

Body material: other materials

Flange rating class

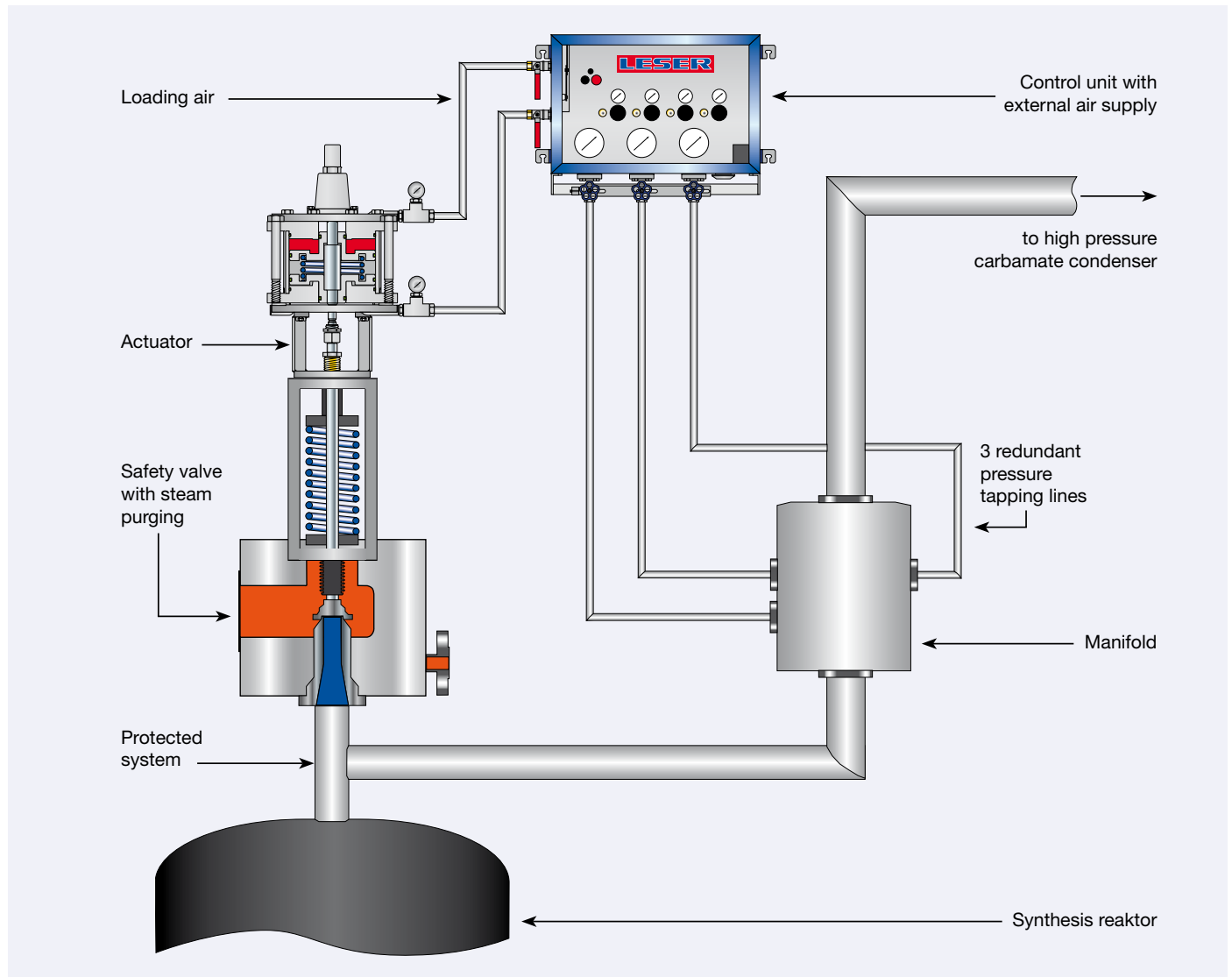
PN 325 x CL300	Art. No. 526X.	XXXX
		on request

Type 526
Additional Supplementary Loading System
for Urea Synthesis section safety valve

Type 526

A Supplementary loaded system safety valve improves the opening and closing characteristic of a safety valve. Especially for the Urea synthesis section a customized Supplementary Loading System with pressure transmitters has been developed.

Technical information and price information on request.



Type 526

Dimensions

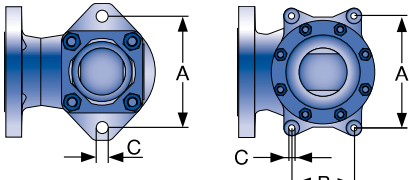
Metric units

Type 526

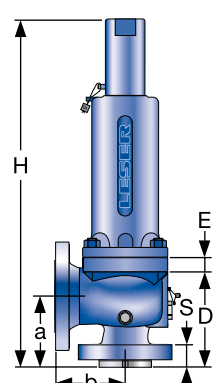
Safety valve dimensions		[mm]	a	b	s	H _{max.}	H _{max.} with bellows	a	b	s	H _{max.}	H _{max.} with bellows	a	b	s	H _{max.}	H _{max.} with bellows
Support brackets		[mm]	A	B	C	D	E	A	B	C	D	E	A	B	C	D	E
Flange rating class			150 x 150					300L x 150					300 x 150				
Valve size			1 D 2					1 D 2					1 D 2				
D	d ₀ [mm]	14.0	105	114	30	440	465	Please see 1 D 2					105	114	30	440	465
	A ₀ [mm ²]	154	130	–	Ø 14	132	16	300 x 150					130	–	Ø 14	132	16
Valve size			1 E 2					1 E 2					1 E 2				
E	d ₀ [mm]	14.0	105	114	30	440	465	Please see 1 E 2					105	114	30	440	465
	A ₀ [mm ²]	154	130	–	Ø 14	132	16	300 x 150					130	–	Ø 14	132	16
Valve size			1 1/2 F 2					1 1/2 F 2					1 1/2 F 2				
F	d ₀ [mm]	18.0	124	121	32	536	561	124	121	32	536	561	124	152	35	536	561
	A ₀ [mm ²]	254	162	–	Ø 14	148	16	162	–	Ø 14	148	16	162	–	Ø 14	148	16
Valve size			1 1/2 G 3					1 1/2 G 3					1 1/2 G 3				
G	d ₀ [mm]	22.5	124	121	32	536	574	124	121	32	536	574	124	152	35	536	574
	A ₀ [mm ²]	398	162	–	Ø 14	148	16	162	–	Ø 14	148	16	162	–	Ø 14	148	16
Flange rating class			150 x 150					300L x 150					300 x 150				
Valve size			1 1/2 H 3					1 1/2 H 3					2 H 3				
H	d ₀ [mm]	28.3	130	124	38	542	580	130	124	38	542	580	130	124	43	666	692
	A ₀ [mm ²]	629	162	–	Ø 14	155	16	162	–	Ø 14	155	16	184	110	Ø 14	177	16
Valve size			2 J 3					2 J 3					3 J 4				
J	d ₀ [mm]	36.0	137	124	49	673	722	137	124	49	673	722	184	181	49	786	824
	A ₀ [mm ²]	1018	184	110	Ø 14	184	16	184	110	Ø 14	184	16	238	140	Ø 18	234	25
Valve size			3 K 4					3 K 4					3 K 4				
K	WCB, LCB, CF8M (WC6) d ₀ [mm]	43.0	156	162	49	758	796	Please see 3 K 4					156	162	49	758	796
	A ₀ [mm ²]	1452	238	140	Ø 18	206	25	300 x 150					238	140	Ø 18	206	25
WC6																	
Flange rating class			150 x 150					300L x 150					300 x 150				
Valve size			3 L 4					3 L 4					4 L 6				
L	d ₀ [mm]	53.5	156	165	49	758	796	156	165	49	758	796	179	181	49	853	886
	A ₀ [mm ²]	2248	238	140	Ø 18	206	25	238	140	Ø 18	206	25	278	160	Ø 18	262	25
Valve size			4 M 6					4 M 6					4 M 6				
M	d ₀ [mm]	60.3	178	184	48	852	885	Please see 4 M 6					178	184	48	852	885
	A ₀ [mm ²]	2856	278	160	Ø 18	260	25	300 x 150					278	160	Ø 18	260	25
Valve size			4 N 6					4 N 6					4 N 6				
N	d ₀ [mm]	66.0	197	210	48	871	904	Please see 4 N 6					197	210	48	871	904
	A ₀ [mm ²]	3421	278	160	Ø 18	280	25	300 x 150					278	160	Ø 18	280	25
Valve size			4 P 6					4 P 6					4 P 6				
P	d ₀ [mm]	80.0	181	229	48	855	888	181	229	48	855	888	225	254	62	1079	1138
	A ₀ [mm ²]	5027	278	160	Ø 18	262	25	278	160	Ø 18	262	25	370	210	Ø 18	306	25
Valve size			6 Q 8					6 Q 8					6 Q 8				
Q	d ₀ [mm]	105.5	240	241	68	1120	1200	Please see 6 Q 8					240	241	68	1120	1200
	A ₀ [mm ²]	8742	370	210	Ø 18	346	25	300 x 150					370	210	Ø 18	346	25
Valve size			6 R 8					6 R 8					6 R 10				
R	d ₀ [mm]	126.0	240	241	68	1120	1200	240	241	68	1120	1200	240	267	68	1426	1426
	A ₀ [mm ²]	12568	370	210	Ø 18	346	25	370	210	Ø 18	346	25	470	150	Ø 18	460	25
Valve size			8 T 10					8 T 10					8 T 10				
T	d ₀ [mm]	161.5	276	279	62	1462	1462	Please see 8 T 10					276	279	62	1462	1462
	A ₀ [mm ²]	20485	470	150	Ø 18	497	25	300 x 150					470	150	Ø 18	497	25

d_0 = Actual orifice diameter
 A_0 = Actual orifice area

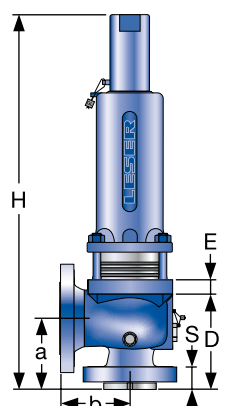
a	b	s	H _{max.}	H _{max.} with bellows	a	b	s	H _{max.}	H _{max.} with bellows	a	b	s	H _{max.}	H _{max.} with bellows	a	b	s	H _{max.}	H _{max.} with bellows
A	B	C	D	E	A	B	C	D	E	A	B	C	D	E	A	B	C	D	E
600 x 150					900 x 300					1500 x 300					2500 x 300				
1 D 2					1 1/2 D 2					1 1/2 D 2					1 1/2 D 3				
105	114	30	440	465	Please see 1 1/2 D 2					105	140	44	517	542	140	178	57	576	576
130	-	Ø 14	132	16	1500 x 300					162	-	Ø 14	129	16	162	-	Ø 14	189	16
1 E 2					1 1/2 E 2					1 1/2 E 2					1 1/2 E 3				
105	114	30	440	465	Please see 1 1/2 E 2					105	140	44	517	542	140	178	57	576	576
130	-	Ø 14	132	16	1500 x 300					162	-	Ø 14	129	16	162	-	Ø 14	189	16
1 1/2 F 2					1 1/2 F 3					1 1/2 F 3					1 1/2 F 3				
124	152	35	536	561	Please see 1 1/2 F 3					124	165	44	560	560	140	178	57	576	576
162	-	Ø 14	148	16	1500 x 300					162	-	Ø 14	174	16	162	-	Ø 14	189	16
1 1/2 G 3					1 1/2 G 3					2 G 3					2 G 3				
124	152	35	536	574	124	165	44	560	573	156	172	68	688	705	156	172	68	688	705
162	-	Ø 14	148	16	162	-	Ø 14	174	16	184	110	Ø 14	198	16	184	110	Ø 14	198	16
600 x 150					900 x 150					1500 x 300									
2 H 3					2 H 3					2 H 3									
154	162	56	691	717	154	162	56	691	717	154	162	56	691	717					
184	110	Ø 14	202	16	184	110	Ø 14	202	16	184	110	Ø 14	202	16					
3 J 4					3 J 4					3 J 4									
184	181	49	786	824	184	181	65	786	824	184	181	65	786	824					
238	140	Ø 18	234	25	238	140	Ø 18	234	25	238	140	Ø 18	234	25					
3 K 4					3 K 6					3 K 6									
184	181	49	786	824	198	216	67	880	880	197	216	65	879	879					
238	140	Ø 18	234	25	278	160	Ø 18	288	25	278	160	Ø 18	287	25					
156	162	49	758	796															
238	140	Ø 18	206	25															
600 x 150					900 x 150					1500 x 150									
4 L 6					4 L 6					4 L 6									
179	203	57	853	886	197	222	72	871	904	197	222	72	871	904					
278	160	Ø 18	262	25	278	160	Ø 18	280	25	278	160	Ø 18	280	25					
4 M 6					4 M 6					4 M 6									
178	203	56	852	885	197	222	72	871	904	197	222	72	871	904					
278	160	Ø 18	260	25	278	160	Ø 18	280	25	278	160	Ø 18	280	25					
4 N 6					4 N 6					4 N 6									
197	222	72	871	904	197	222	72	871	904	197	222	72	871	904					
278	160	Ø 18	280	25	278	160	Ø 18	280	25	278	160	Ø 18	280	25					
4 P 6					4 P 6					4 P 6									
225	254	62	1079	1138	225	254	62	1079	1138	225	254	62	1079	1138					
370	210	Ø 18	306	25	370	210	Ø 18	306	25	370	210	Ø 18	306	25					
6 Q 8					6 Q 8					6 Q 8									
240	241	68	1120 ¹⁾	1200 ²⁾															
370	210	Ø 18	346	25															
6 R 10					6 R 10					6 R 10									
240	267	68	1426	1426															
470	150	Ø 18	460	25															
-	-	-	-	-															
-	-	-	-	-															



Support brackets



Conventional design



Balanced bellows design

¹⁾ Type 526 high pressure design: 1202
²⁾ Type 526 high pressure design: 1282

Type 526

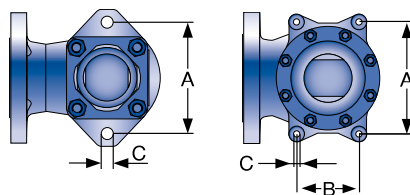
Dimensions

US units

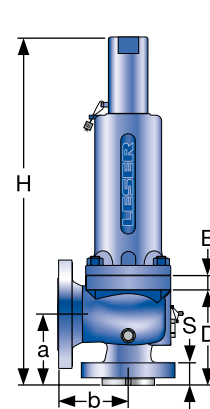
Safety valve dimensions		[inch]	a	b	s	H _{max.}	H _{max.} with bellows	a	b	s	H _{max.}	H _{max.} with bellows	a	b	s	H _{max.}	H _{max.} with bellows
Support brackets		[inch]	A	B	C	D	E	A	B	C	D	E	A	B	C	D	E
Flange rating class			150 x 150					300L x 150					300 x 150				
Valve size			1 D 2					1 D 2					1 D 2				
D	d ₀ [inch]	0.551	4 1/8	4 1/2	1 3/16	17 5/16	18 5/16	Please see 1 D 2					4 1/8	4 1/2	1 3/16	17 5/16	18 5/16
	A ₀ [inch ²]	0.239	5 1/8	–	Ø 9/16	5 7/32	5/8	300 x 150					5 1/8	–	Ø 9/16	5 7/32	5/8
Valve size			1 E 2					1 E 2					1 E 2				
E	d ₀ [inch]	0.551	4 1/8	4 1/2	1 3/16	17 5/16	18 5/16	Please see 1 E 2					4 1/8	4 1/2	1 3/16	17 5/16	18 5/16
	A ₀ [inch ²]	0.239	5 1/8	–	Ø 9/16	5 7/32	5/8	300 x 150					5 1/8	–	Ø 9/16	5 7/32	5/8
Valve size			1 1/2 F 2					1 1/2 F 2					1 1/2 F 2				
F	d ₀ [inch]	0.709	4 7/8	4 3/4	1 1/4	21 3/32	22 3/32	4 7/8	4 3/4	1 1/4	21 3/32	22 3/32	4 7/8	6	1 13/32	21 3/32	22 3/32
	A ₀ [inch ²]	0.394	6 3/8	–	Ø 9/16	5 27/32	5/8	6 3/8	–	Ø 9/16	5 27/32	5/8	6 3/8	–	Ø 14	5 27/32	5/8
Valve size			1 1/2 G 3					1 1/2 G 3					1 1/2 G 3				
G	d ₀ [inch]	0.886	4 7/8	4 3/4	1 1/4	21 3/32	22 19/32	4 7/8	4 3/4	1 1/4	21 3/32	22 19/32	4 7/8	6	1 13/32	21 3/32	22 19/32
	A ₀ [inch ²]	0.616	6 3/8	–	Ø 9/16	5 27/32	5/8	6 3/8	–	Ø 9/16	5 27/32	5/8	6 3/8	–	Ø 9/16	5 27/32	5/8
Flange rating class			150 x 150					300L x 150					300 x 150				
Valve size			1 1/2 H 3					1 1/2 H 3					2 H 3				
H	d ₀ [inch]	1.11	5 1/8	4 7/8	1 1/2	21 11/32	22 27/32	5 1/8	4 7/8	1 1/2	21 11/32	22 27/32	5 1/8	4 7/8	1 11/16	26 7/32	27 1/4
	A ₀ [inch ²]	0.975	6 3/8	–	Ø 9/16	6 3/32	5/8	6 3/8	–	Ø 9/16	6 3/32	5/8	7 1/4	4 11/32	Ø 9/16	6 31/32	5/8
Valve size			2 J 3					2 J 3					3 J 4				
J	d ₀ [inch]	1.42	5 3/8	4 7/8	1 15/16	26 1/2	28 7/16	5 3/8	4 7/8	1 15/16	26 1/2	28 7/16	7 1/4	7 1/8	1 15/16	30 15/16	32 7/16
	A ₀ [inch ²]	1.58	7 1/4	4 11/32	Ø 9/16	7 1/4	5/8	7 1/4	4 11/32	Ø 9/16	7 1/4	5/8	9 3/8	5 1/2	Ø 23/32	9 7/32	31/32
Valve size			3 K 4					3 K 4					3 K 4				
K	WCB, LCB, d ₀ [inch]	1.69	6 1/8	6 3/8	1 15/16	29 27/32	23 11/32	Please see 3 K 4					6 1/8	6 3/8	1 15/16	29 27/32	31 11/32
	CF8M (WC6) A ₀ [inch ²]	2.25	9 3/8	5 1/2	Ø 23/32	8 3/32	31/32	300 x 150					9 3/8	5 1/2	Ø 23/32	8 3/32	31/32
Valve size			WC6					WC6					WC6				
Flange rating class			150 x 150					300L x 150					300 x 150				
Valve size			3 L 4					3 L 4					4 L 6				
L	d ₀ [inch]	2.11	6 1/8	6 1/2	1 15/16	29 27/32	31 11/12	6 1/8	6 1/2	1 15/16	29 27/32	31 11/12	7 1/6	7 1/8	1 15/16	33 19/32	34 7/8
	A ₀ [inch ²]	3.48	9 3/8	5 1/2	Ø 23/32	8 3/32	31/32	9 3/8	5 1/2	Ø 23/32	8 3/32	31/32	10 15/16	6 5/16	Ø 23/32	10 5/16	31/32
Valve size			4 M 6					4 M 6					4 M 6				
M	d ₀ [inch]	2.37	7	7 1/4	1 7/8	33 17/32	34 27/32	Please see 4 M 6					7	7 1/4	1 7/8	33 17/32	34 27/32
	A ₀ [inch ²]	4.43	10 15/16	6 5/16	Ø 23/32	10 1/4	31/32	300 x 150					10 15/16	6 5/16	Ø 23/32	10 1/4	31/32
Valve size			4 N 6					4 N 6					4 N 6				
N	d ₀ [inch]	2.60	7 3/4	8 1/4	1 7/8	34 9/32	35 19/32	Please see 4 N 6					7 3/4	8 1/4	1 7/8	34 9/32	35 19/32
	A ₀ [inch ²]	5.30	10 15/16	6 5/16	Ø 23/32	11	31/32	300 x 150					10 15/16	6 5/16	Ø 23/32	11	31/32
Valve size			4 P 6					4 P 6					4 P 6				
P	d ₀ [inch]	3.15	7 1/8	9	1 7/8	33 31/32	34 31/32	7 1/8	9	1 7/8	33 31/32	34 31/32	8 7/8	10	2 7/16	42 1/2	44 13/16
	A ₀ [inch ²]	7.79	10 15/16	6 5/16	Ø 23/32	10 5/16	31/32	10 15/16	6 5/16	Ø 23/32	10 5/16	31/32	14 9/16	8 9/32	Ø 23/32	12 1/16	31/32
Valve size			6 Q 8					6 Q 8					6 Q 8				
Q	d ₀ [inch]	4.15	9 7/16	9 1/2	2 11/16	44 1/8	47 1/4	Please see 6 Q 8					9 7/16	9 1/2	2 11/16	44 1/8	47 1/4
	A ₀ [inch ²]	13.55	14 9/16	8 9/32	Ø 23/32	13 5/8	31/32	300 x 150					14 9/16	8 9/32	Ø 23/32	13 5/8	31/32
Valve size			6 R 8					6 R 8					6 R 10				
R	d ₀ [inch]	4.96	9 7/16	9 1/2	2 11/16	44 1/8	47 1/4	9 7/16	9 1/2	2 11/16	41 5/8	44 3/4	9 7/16	10 1/2	2 11/16	56 1/8	56 1/8
	A ₀ [inch ²]	19.33	14 9/16	8 9/32	Ø 23/32	13 5/8	31/32	14 9/16	8 9/32	Ø 23/32	13 5/8	31/32	18 1/2	5 29/32	Ø 23/32	18 1/8	31/32
Valve size			8 T 10					8 T 10					8 T 10				
T	d ₀ [inch]	6.36	10 7/8	11	2 7/16	57 9/16	57 9/16	Please see 8 T 10					10 7/8	11	2 7/16	57 9/16	57 9/16
	A ₀ [inch ²]	31.75	18 1/2	5 29/32	Ø 23/32	19 9/16	31/32	300 x 150					18 1/2	5 29/32	Ø 23/32	19 9/16	31/32

d_0 = Actual orifice diameter
 A_0 = Actual orifice area

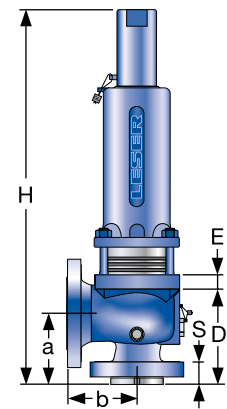
a	b	s	H _{max.}	H _{max.} with bellows	a	b	s	H _{max.}	H _{max.} with bellows	a	b	s	H _{max.}	H _{max.} with bellows	a	b	s	H _{max.}	H _{max.} with bellows					
A	B	C	D	E	A	B	C	D	E	A	B	C	D	E	A	B	C	D	E					
600 x 150					900 x 300					1500 x 300					2500 x 300									
1 D 2					1 1/2 D 2					1 1/2 D 2					1 1/2 D 3									
4 1/8	4 1/2	1 3/16	17 5/16	18 5/16	Please see 1 1/2 D 2 1500 x 300					4 1/8	5 1/2	1 3/4	20 11/32	21 11/32	5 1/2	7	2 1/4	22 11/16	22 11/16	6 3/8	-	Ø 9/16	7 15/32	5/8
5 1/8	-	Ø 9/16	5 7/32	5/8						6 3/8	-	Ø 9/16	5 3/32	5/8	6 3/8	-	Ø 9/16	7 15/32	5/8	6 3/8	-	Ø 9/16	7 15/32	5/8
1 E 2					1 1/2 E 2					1 1/2 E 2					1 1/2 E 3									
4 1/8	4 1/2	1 3/16	17 5/16	18 5/16	Please see 1 1/2 E 2 1500 x 300					4 1/8	5 1/2	1 3/4	20 11/32	21 11/32	5 1/2	7	2 1/4	22 11/16	22 11/16	6 3/8	-	Ø 9/16	7 15/32	5/8
5 1/8	-	Ø 9/16	5 7/32	5/8						6 3/8	-	Ø 9/16	5 3/32	5/8	6 3/8	-	Ø 9/16	7 15/32	5/8	6 3/8	-	Ø 9/16	7 15/32	5/8
1 1/2 F 2					1 1/2 F 3					1 1/2 F 3					1 1/2 F 3									
4 7/8	6	1 13/32	21 3/32	22 3/32	Please see 1 1/2 F 3 1500 x 300					4 7/8	6 1/2	1 3/4	22 1/16	22 1/16	5 1/2	7	2 1/4	22 11/16	22 11/16	6 3/8	-	Ø 9/16	7 15/32	5/8
6 3/8	-	Ø 9/16	5 27/32	5/8						6 3/8	-	Ø 9/16	6 27/32	5/8	6 3/8	-	Ø 9/16	7 15/32	5/8	6 3/8	-	Ø 9/16	7 15/32	5/8
1 1/2 G 3					1 1/2 G 3					2 G 3					2 G 3									
4 7/8	6	1 13/32	21 3/32	22 19/32	4 7/8	6 1/2	1 3/4	22 1/16	22 9/16	6 1/8	6 3/4	2 11/16	27 3/32	27 3/4	6 1/8	6 3/4	2 11/16	27 3/32	27 3/4	6 1/8	6 3/4	2 11/16	27 3/32	27 3/4
6 3/8	-	Ø 9/16	5 27/32	5/8	6 3/8	-	Ø 14	6 27/32	5/8	7 1/4	4 11/32	Ø 9/16	7 13/16	5/8	7 1/4	4 11/32	Ø 9/16	7 13/16	5/8	7 1/4	4 11/32	Ø 9/16	7 13/16	5/8
600 x 150					900 x 150					1500 x 300														
2 H 3					2 H 3					2 H 3														
6 1/16	6 3/8	2 3/16	27 7/32	28 7/32	6 1/16	6 3/8	2 3/16	27 7/32	28 7/32	6 1/16	6 3/8	2 3/16	27 7/32	28 7/32										
7 1/4	4 11/32	Ø 9/16	7 15/16	5/8	7 1/4	4 11/32	Ø 9/16	7 15/16	5/8	7 1/4	4 11/32	Ø 9/16	7 15/16	5/8										
3 J 4					3 J 4					3 J 4														
7 1/4	7 1/8	1 15/16	30 15/16	32 7/16	7 1/4	7 1/8	2 9/16	30 15/16	32 7/16	7 1/4	7 1/8	2 3/16	30 15/16	32 7/16										
9 3/8	5 1/2	Ø 23/32	9 7/32	31/32	9 3/8	5 1/2	Ø 23/32	9 7/32	31/32	9 3/8	5 1/2	Ø 23/32	9 7/32	31/32										
3 K 4					3 K 6					3 K 6														
7 1/4	7 1/8	1 15/16	30 15/16	32 7/16	7 13/16	8 1/2	2 9/16	34 21/32	34 21/32	7 3/4	8 1/2	2 9/16	34 19/32	34 19/32										
9 3/8	5 1/2	Ø 23/32	9 7/32	31/32	10 15/16	6 5/16	Ø 23/32	11 11/32	31/32	10 15/16	6 5/16	Ø 23/32	10 15/16	31/32										
6 1/8	6 3/8	1 15/16	29 27/32	31 11/32																				
9 3/8	5 1/2	Ø 23/32	8 3/32	31/32																				
600 x 150					900 x 150					1500 x 150														
4 L 6					4 L 6					4 L 6														
7 1/16	8	2 1/4	33 19/32	34 7/8	7 3/4	8 3/4	2 3/4	34 9/32	35 19/32	7 3/4	8 3/4	2 3/4	34 9/32	35 19/32										
10 15/16	6 5/16	Ø 23/32	10 15/16	31/32	10 15/16	6 5/16	Ø 23/32	11	31/32	10 15/16	6 5/16	Ø 23/32	11	31/32										
4 M 6					4 M 6																			
7	8	2 3/16	33 17/32	34 27/32	7 3/4	8 3/4	2 3/4	34 9/32	35 19/32															
10 15/16	6 5/16	Ø 23/32	10 1/4	31/32	10 15/16	6 5/16	Ø 23/32	11	31/32															
4 N 6					4 N 6																			
7 3/4	8 3/4	2 3/4	34 9/32	35 19/32	7 3/4	8 3/4	2 3/4	34 9/32	35 19/32															
10 15/16	6 5/16	Ø 23/32	11	31/32	10 15/16	6 5/16	Ø 23/32	11	31/32															
4 P 6					4 P 6																			
8 7/8	10	2 7/16	42 1/2	44 13/16	8 7/8	10	2 7/16	42 1/2	44 13/16															
14 9/16	8 9/32	Ø 23/32	12 1/16	31/32	14 9/16	8 9/32	Ø 23/32	12 1/16	31/32															
6 Q 8																								
9 7/16	9 1/2	2 11/16	44 1/8 ¹⁾	47 1/4 ²⁾																				
14 9/16	8 9/32	Ø 23/32	13 5/8	31/32																				
6 R 10																								
9 7/16	10 1/2	2 11/16	56 1/8	56 1/8																				
18 1/2	5 29/32	Ø 23/32	18 1/8	31/32																				
-	-	-	-	-																				
-	-	-	-	-																				



Support brackets



Conventional design



Balanced bellows design

¹⁾ Type 526 high pressure design: 47 5/16

²⁾ Type 526 high pressure design: 50 1/2

Type 526

Weighths

Metric units

		Bonnet			all			
		Lifting device			all			
Flange class		150 x 150	300L x 150	300 x 150	600 x 150	900 x 300	1500 x 300	2500 x 300
Valve size		1 D 2	1 D 2	1 D 2	1 D 2	1 1/2 D 2	1 1/2 D 2	1 1/2 D 3
D	Weight [kg]	17.3	17.3	17.3	17.3	31.1	31.1	41.8
	with bellows [kg]	18.4	18.4	18.4	18.4	33.1	33.1	44.6
E	Weight [kg]	17.3	17.3	17.3	17.3	31.1	31.1	41.8
	with bellows [kg]	18.4	18.4	18.4	18.4	33.1	33.1	44.6
F	Weight [kg]	30.6	30.6	32.5	32.5	36.3	36.3	41.8
	with bellows [kg]	33.1	33.1	35.0	35.0	38.6	38.6	44.6
G	Weight [kg]	30.6	30.6	32.5	32.5	36.3	69.9	69.9
	with bellows [kg]	33.1	33.1	35.0	35.0	38.6	72.5	72.5
Flange class		150 x 150	300L x 150	300 x 150	600 x 150	900 x 150	1500 x 300	
Valve size		1 1/2 H 3	1 1/2 H 3	2 H 3	2 H 3	2 H 3	2 H 3	
H	Weight [kg]	30.6	30.6	44.6	62.2	62.2	62.2	
	with bellows [kg]	33.1	33.1	48.4	65.3	65.3	65.3	
J	Weight [kg]	44.6	44.6	77.7	77.7	100.2	100.2	
	with bellows [kg]	48.4	48.4	83.2	83.2	105.7	105.7	
K	Weight [kg]	70.1	70.1	70.1	77.7	70.1	127.5	127.5
	with bellows [kg]	75.7	75.7	75.7	83.2	75.7	134.1	134.1
					Other	WC6		
Flange class		150 x 150	300L x 150	300 x 150	600 x 150	900 x 150	1500 x 150	
Valve size		3 L 4	3 L 4	4 L 6	4 L 6	4 L 6	4 L 6	
L	Weight [kg]	70.1	70.1	112.2	122.0	134.1	127.5	
	with bellows [kg]	75.7	75.7	118.8	128.6	140.7	134.1	
M	Weight [kg]	112.1	112.1	112.1	122.0	134.1		
	with bellows [kg]	118.7	118.7	118.7	128.6	140.7		
N	Weight [kg]	128.6	128.6	128.6	134.1	134.1		
	with bellows [kg]	135.2	135.2	135.2	140.7	140.7		
P	Weight [kg]	107.7	107.7	164.0	164.0	164.0		
	with bellows [kg]	114.8	114.8	172.0	172.0	172.0		
Q	Weight [kg]	221.0	221.0	221.0	221.0			
	with bellows [kg]	230.0	230.0	230.0	230.0			
R	Weight [kg]	221.0	221.0	277.0	277.0			
	with bellows [kg]	230.0	230.0	288.0	288.0			
T	Weight [kg]	287.0	287.0	287.0				
	with bellows [kg]	298.0	298.0	298.0				

Type 526

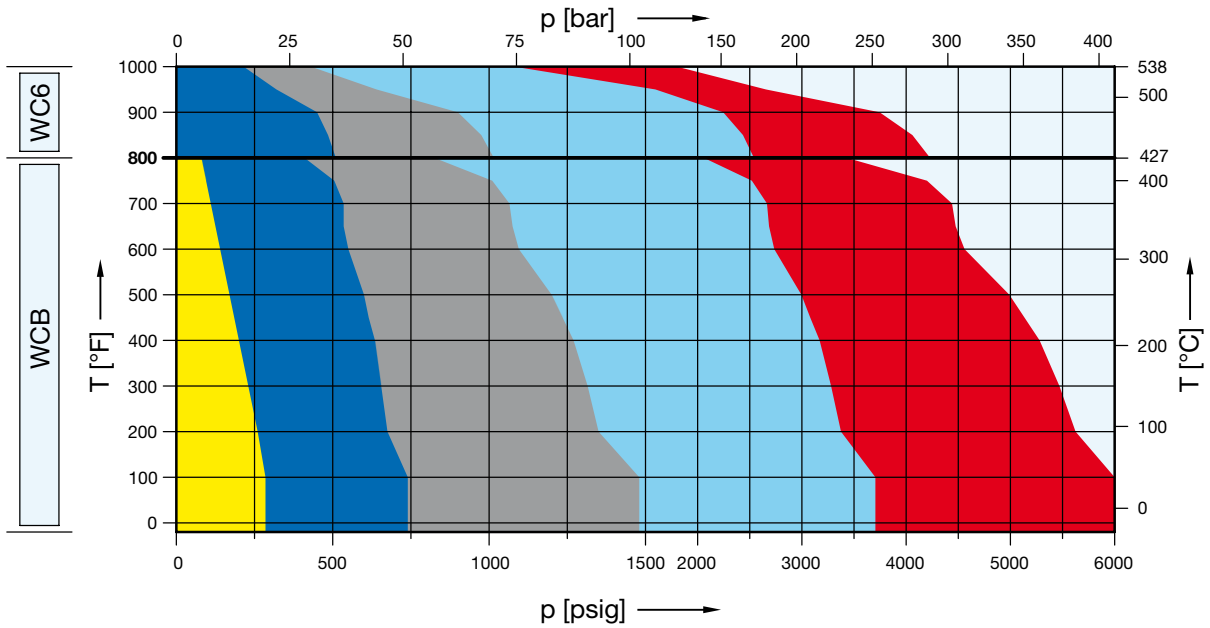
Weighths

US units

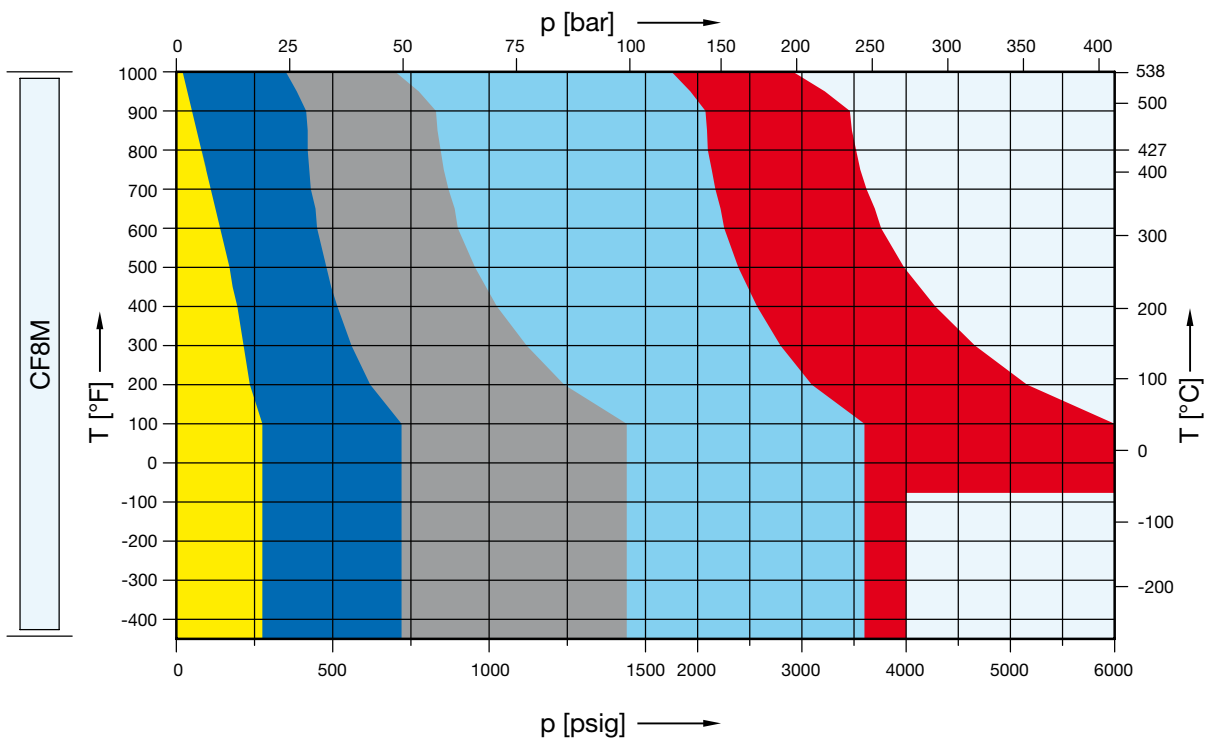
		Bonnet			all			
		Lifting device			all			
Flange class		150 x 150	300L x 150	300 x 150	600 x 150	900 x 300	1500 x 300	2500 x 300
Valve size		1 D 2	1 D 2	1 D 2	1 D 2	1 1/2 D 2	1 1/2 D 2	1 1/2 D 3
D	Weight [lbs]	38.1	38.1	38.1	38.1	68.6	68.6	92.2
	with bellows [lbs]	40.6	40.6	40.6	40.6	73.0	73.0	98.3
E	Weight [lbs]	38.1	38.1	38.1	38.1	68.6	68.6	92.2
	with bellows [lbs]	40.6	40.6	40.6	40.6	73.0	73.0	98.3
F	Weight [lbs]	67.5	67.5	71.7	71.7	80.0	80.0	92.2
	with bellows [lbs]	73.0	73.0	77.2	77.2	85.1	85.1	98.3
G	Weight [lbs]	67.5	67.5	71.7	71.7	80.0	154.1	154.1
	with bellows [lbs]	73.0	73.0	77.2	77.2	85.0	159.9	159.9
Flange class		150 x 150	300L x 150	300 x 150	600 x 150	900 x 150	1500 x 300	
Valve size		1 1/2 H 3	1 1/2 H 3	2 H 3	2 H 3	2 H 3	2 H 3	
H	Weight [lbs]	67.5	67.5	98.3	137.2	137.2	137.2	
	with bellows [lbs]	73.0	73.0	106.7	144.0	144.0	144.0	
J	Weight [lbs]	98.3	98.3	171.3	171.3	220.9	220.9	
	with bellows [lbs]	106.7	106.7	183.5	183.5	233.1	233.1	
K	Weight [lbs]	154.6	154.6	154.6	171.3	281.1	281.1	
	with bellows [lbs]	166.9	166.9	166.9	183.5	295.7	295.7	
					Other	WC6		
Flange class		150 x 150	300L x 150	300 x 150	600 x 150	900 x 150	1500 x 150	
Valve size		3 L 4	3 L 4	4 L 6	4 L 6	4 L 6	4 L 6	
L	Weight [lbs]	154.6	154.6	247.4	269.0	295.7	281.1	
	with bellows [lbs]	166.9	166.9	262.0	283.6	310.2	295.7	
M	Weight [lbs]	247.2	247.2	247.2	269.0	295.7		
	with bellows [lbs]	261.7	261.7	261.7	283.6	310.2		
N	Weight [lbs]	283.6	283.6	283.6	295.7	295.7		
	with bellows [lbs]	298.1	298.1	298.1	310.2	310.2		
P	Weight [lbs]	237.5	237.5	361.6	361.6	361.6		
	with bellows [lbs]	253.1	253.1	379.2	379.2	379.2		
Q	Weight [lbs]	487.3	487.3	487.3	487.3			
	with bellows [lbs]	507.2	507.2	507.2	507.2			
R	Weight [lbs]	487.3	487.3	610.8	610.8			
	with bellows [lbs]	507.2	507.2	635.0	635.0			
T	Weight [lbs]	632.8	632.8	632.8				
	with bellows [lbs]	657.1	657.1	657.1				

Type 526
Orifice D
 Selection charts

	150 x 150	300L x 150	300 x 150	600 x 150	900 x 300	1500 x 300	2500 x 300
WCB	5262.001X	See 300 x 150	5262.002X	5262.003X	See 1500 x 300	5262.004X	5262.005X
WC6	-	See 300 x 150	5267.006X	5267.007X	See 1500 x 300	5267.008X	5267.009X



	150 x 150	300L x 150	300 x 150	600 x 150	900 x 300	1500 x 300	2500 x 300
CF8M	5264.010X	See 300 x 150	5264.011X	5264.012X	See 1500 x 300	5264.013X	5264.014X



Type 526

Orifice D

Article numbers, dimensions and weights

Article numbers

Valve size	1 D 2	1 D 2	1 D 2	1 D 2	1 1/2 D 2	1 1/2 D 2	1 1/2 D 3
Flange rating class <small>Inlet x Outlet</small>	150 x 150	300L x 150	300 x 150	600 x 150	900 x 300	1500 x 300	2500 x 300
Actual Orifice diameter d_0 [mm]	14.0	14.0	14.0	14.0	14.0	14.0	14.0
Actual Orifice area A_0 [mm ²]	154	154	154	154	154	154	154
Body material							
WCB 1.0619	Art. No. 5262.001^o	Use 1 D 2 300 x 150	5262.002^o	5262.003^o	Use 1 1/2 D 2 1500 x 300	5262.004^o	5262.005^o
CF8M 1.4408	Art. No. 5264.010^o		5264.011^o	5264.012^o		5264.013^o	5264.014^o
WC6 1.7357	Art. No. –		5267.006^o	5267.007^o		5267.008^o	5267.009^o
LCB	Art. No. 5263.500^o		5263.501^o	5263.502^o		5263.503^o	5263.504^o

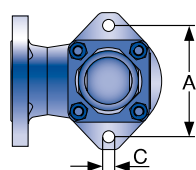
^o) Please add code for the required cap or lifting device. See below.

Dimensions and weights

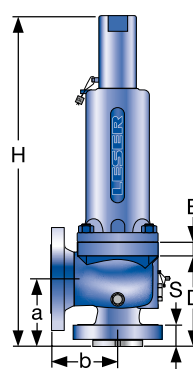
Metric units									
Weight [kg]		17.3	Use 1 D 2 300 x 150	17.3	17.3	Use 1 1/2 D 2 1500 x 300	31.1	41.8	
		with bellows		18.4	18.4		18.4	33.1	44.6
Center to face [mm]	Inlet a	105		105	105		105	105	140
	Outlet b	114		114	114		114	140	178
	s	30		30	30		30	44	57
Height (H4) [mm]	Standard H max.	440		440	440		440	517	576
	Bellows H max.	465	465	465	465	542	576		
Support brackets [mm]	A	130	130	130	130	162	162		
	B	–	–	–	–	–	–		
	C	Ø 14	Ø 14	Ø 14	Ø 14	Ø 14	Ø 14		
	D	132	132	132	132	129	189		
	E	16	16	16	16	16	16		
US units									
Weight [lbs]		38.1	Use 1 D 2 300 x 150	38.1	38.1	Use 1 1/2 D 2 1500 x 300	68.6	92.2	
		with bellows		40.6	40.6		40.6	73	98.3
Center to face [inch]	Inlet a	4 1/8		4 1/8	4 1/8		4 1/8	4 1/8	5 1/2
	Outlet b	4 1/2		4 1/2	4 1/2		4 1/2	5 1/2	7
	s	1 3/16		1 3/16	1 3/16		1 3/16	1 3/4	2 1/4
Height (H4) [inch]	Standard H max.	17 5/16		17 5/16	17 5/16		17 5/16	20 11/32	22 11/16
	Bellows H max.	18 5/16	18 5/16	18 5/16	18 5/16	21 11/32	22 11/16		
Support brackets [inch]	A	5 1/8	5 1/8	5 1/8	5 1/8	6 3/8	6 3/8		
	B	–	–	–	–	–	–		
	C	Ø 9/16	Ø 9/16	Ø 9/16	Ø 9/16	Ø 9/16	Ø 9/16		
	D	5 7/32	5 7/32	5 7/32	5 7/32	5 7/32	7 15/32		
	E	5/8	5/8	5/8	5/8	5/8	5/8		

^o Code for lifting device

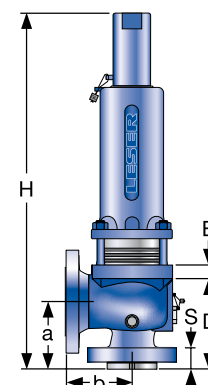
Lifting device	H2	H3	H4	H3
Bonnet	closed	closed	closed	open
WCB 1.0619, WC6 1.7357, LCB	2	3	4	5
CF8M 1.4408	2	–	4	–



Support brackets



Conventional design



Balanced bellows design

Type 526

Orifice D

Pressure temperature ratings

Metric units

Valve size	1 D 2	1 D 2	1 D 2	1 D 2	1 1/2 D 2	1 1/2 D 2	1 1/2 D 3
Flange rating class <small>Inlet x Outlet</small>	150 x 150	300L x 150	300 x 150	600 x 150	900 x 300	1500 x 300	2500 x 300
Actual Orifice diameter d_0 [mm]	14.0	14.0	14.0	14.0	14.0	14.0	14.0
Actual Orifice area A_0 [mm ²]	154	154	154	154	154	154	154
Minimum set pressure [bar] S/G/L	0.3	0.3	0.3	0.3	5.0	5.0	18.5
Minimum set pressure [bar] S/G	3.5	3.5	3.5	11.0	24.0	24.0	24.0
Balanced bellows Inconel [bar] L	3.5	3.5	3.5	11.0	11.0	11.0	11.0

Body material: WCB 1.0619

Pressure range p [bar] S/G/L

Article numbers	5262.001 [□]		5262.002 [□]	5262.003 [□]		5262.004 [□]	5262.005 [□]	
Maximum set pressure	-29 to 38 °C	19.7	Use 1 D 2 300 x 150	51.0	102.1	Use 1 1/2 D 2 1500 x 300	255.5	413.8
	232 °C	12.8		42.4	85.2		212.4	354.1
	427 °C	5.5		28.3	56.9		142.1	236.6
Outlet pressure limit Conventional design	19.7		19.7	19.7		41.4	51.0	
Outlet pressure limit Balanced bellows design	15.9		15.9	15.9		34.5	34.5	

Body material: CF8M 1.4408

Pressure range p [bar] S/G/L

Article numbers	5264.010 [□]		5264.011 [□]	5264.012 [□]		5264.013 [□]	5264.014 [□]	
Maximum set pressure	-268 to -60 °C	19.0	Use 1 D 2 300 x 150	49.7	99.3	Use 1 1/2 D 2 1500 x 300	248.3	275.9
	-59 to -29 °C	19.0		49.7	99.3		248.3	413.8
	-28 to 38 °C	19.0		49.7	99.3		248.3	413.8
	232 °C	12.4		34.1	67.2		171.0	284.8
	427 °C	5.5		29.0	58.3		145.5	242.8
538 °C	1.4	24.1	48.3	120.7	201.0			
Outlet pressure limit Conventional design	19.0		19.0	19.0		41.4	49.7	
Outlet pressure limit Balanced bellows design	15.9		15.9	15.9		34.5	34.5	

Body material: WC6 1.7357

Pressure range p [bar] S/G/L

Article numbers			5267.006 [□]	5267.007 [□]		5267.008 [□]	5267.009 [□]	
Maximum set pressure	427 °C	-	Use 1 D 2 300 x 150	35.2	70.0	Use 1 1/2 D 2 1500 x 300	175.2	291.7
	538 °C	-		14.8	29.7		74.5	124.1
Outlet pressure limit Conventional design	-		19.7	19.7		41.4	51.0	
Outlet pressure limit Balanced bellows design	-		15.9	15.9		34.5	34.5	

Body material: LCB

Pressure range p [bar] S/G/L

Article numbers	5263.500 [□]		5263.501 [□]	5263.502 [□]		5263.503 [□]	5263.504 [□]	
Maximum set pressure	-46 to 38 °C	18.4	Use 1 D 2 300 x 150	48.0	96.0	Use 1 1/2 D 2 1500 x 300	240.1	400.1
	200 °C	13.8		42.5	85.1		212.7	354.4
	343 °C	8.4		36.4	72.8		182.0	303.3
Outlet pressure limit Conventional design	18.4		18.4	18.4		41.4	48.0	
Outlet pressure limit Balanced bellows design	15.9		15.9	15.9		34.5	34.5	

[□] Please add code for the required cap or lifting device. See page 13.

Remark: SA 352 Gr. LCB is not listed in the API 526. Pressure-Temperature Rating acc. to ASME B16.34 Table 2-1.3

The stated Pressure-Temperature Rating are taken from ASME B16.34 Table 2-1.3 if the maximum pressure is not limited by API 526.

Due to the extended material test certificate the LESER LCB can be applied as LCC, WCB, WCC and 1.0619 with the respective pressure-temperature range as well.

Type 526

Orifice D

Pressure temperature ratings

US units

Valve size	1 D 2	1 D 2	1 D 2	1 D 2	1 1/2 D 2	1 1/2 D 2	1 1/2 D 3	
Flange rating class <small>Inlet x Outlet</small>	150 x 150	300L x 150	300 x 150	600 x 150	900 x 300	1500 x 300	2500 x 300	
Actual Orifice diameter d_o [inch]	0.551	0.551	0.551	0.551	0.551	0.551	0.551	
Actual Orifice area A_o [inch ²]	0.239	0.239	0.239	0.239	0.239	0.239	0.239	
Minimum set pressure [psig] S/G/L	4.0	4.0	4.0	4.0	73.0	73.0	268.0	
Minimum set pressure [psig] S/G	50.8	50.8	50.8	159.5	348.0	348.0	348.0	
Balanced bellows Inconel [psig] L	50.8	50.8	50.8	159.5	159.5	159.5	159.5	
Body material: WCB 1.0619								
Pressure range p [psig] S/G/L								
Article numbers	5262.001^o	Use 1 D 2 300 x 150	5262.002^o	5262.003^o	Use 1 1/2 D 2 1500 x 300	5262.004^o	5262.005^o	
Maximum set pressure	-20 to 100 °F		285	740		1480	3705	6000
	450 °F		185	615		1235	3080	5135
	800 °F		80	410		825	2060	3430
Outlet pressure limit								
Conventional design		285	285	285	600	740		
Balanced bellows design		230	230	230	500	500		
Body material: CF8M 1.4408								
Pressure range p [psig] S/G/L								
Article numbers	5264.010^o	Use 1 D 2 300 x 150	5264.011^o	5264.012^o	Use 1 1/2 D 2 1500 x 300	5264.013^o	5264.014^o	
Maximum set pressure	-450 to -76 °F		275	720		1440	3600	4000
	-75 to -21 °F		275	720		1440	3600	6000
	-20 to 100 °F		275	720		1440	3600	6000
	450 °F		180	495		975	2480	4130
	800 °F		80	420		845	2110	3520
	1000 °F		20	350		700	1750	2915
Outlet pressure limit								
Conventional design		275	275	275	600	720		
Balanced bellows design		230	230	230	500	500		
Body material: WC6 1.7357								
Pressure range p [psig] S/G/L								
Article numbers	-	Use 1 D 2 300 x 150	5267.006^o	5267.007^o	Use 1 1/2 D 2 1500 x 300	5267.008^o	5267.009^o	
Maximum set pressure	800 °F		-	510		1015	2540	4230
	1000 °F		-	215		430	1080	1800
Outlet pressure limit								
Conventional design			-	285		285	600	740
Balanced bellows design		-	230	230	500	500		
Body material: LCB								
Pressure range p [psig] S/G/L								
Article numbers	5263.500^o	Use 1 D 2 300 x 150	5263.501^o	5263.502^o	Use 1 1/2 D 2 1500 x 300	5263.503^o	5263.504^o	
Maximum set pressure	-50 to 100 °F		265	695		1395	3480	5805
	400 °F		200	615		1230	3075	5125
	650 °F		125	535		1065	2665	4440
Outlet pressure limit								
Conventional design		265	265	265	600	695		
Balanced bellows design		230	230	230	500	500		

^o) Please add code for the required cap or lifting device. See page 13.

Remark: SA 352 Gr. LCB is not listed in the API 526. Pressure-Temperature Rating acc. to ASME B16.34 Table 2-1.3
The stated Pressure-Temperature Rating are taken from ASME B16.34 Table 2-1.3 if the maximum pressure is not limited by API 526.

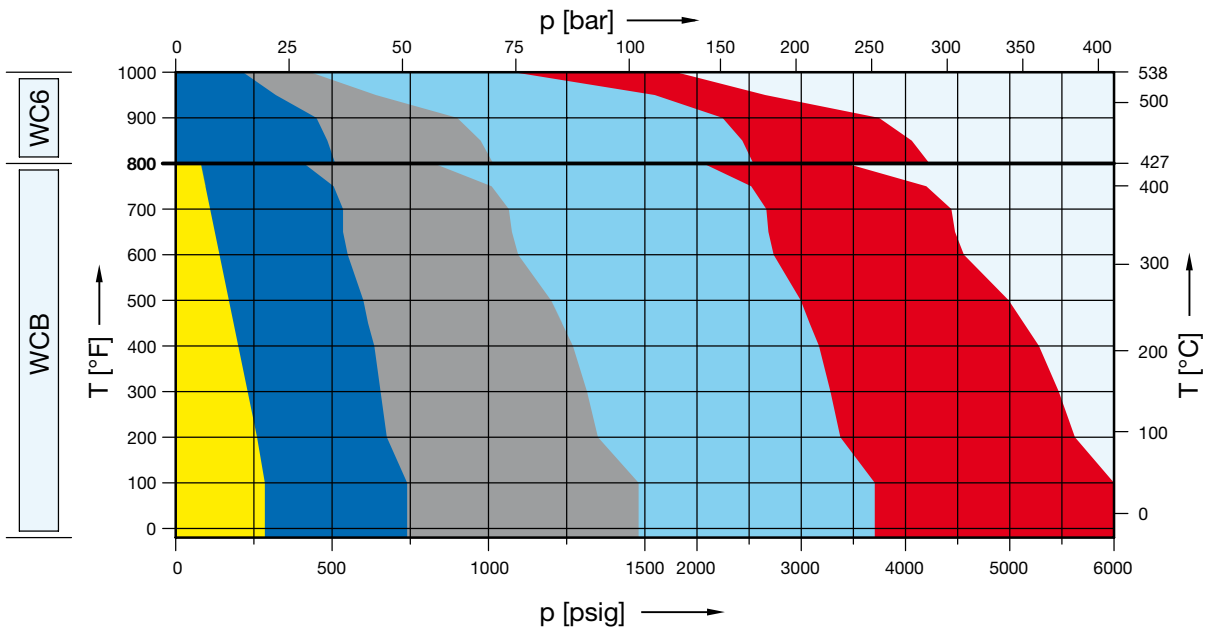
Due to the extended material test certificate the LESER LCB can be applied as LCC, WCB, WCC and 1.0619 with the respective pressure-temperature range as well.

Type 526

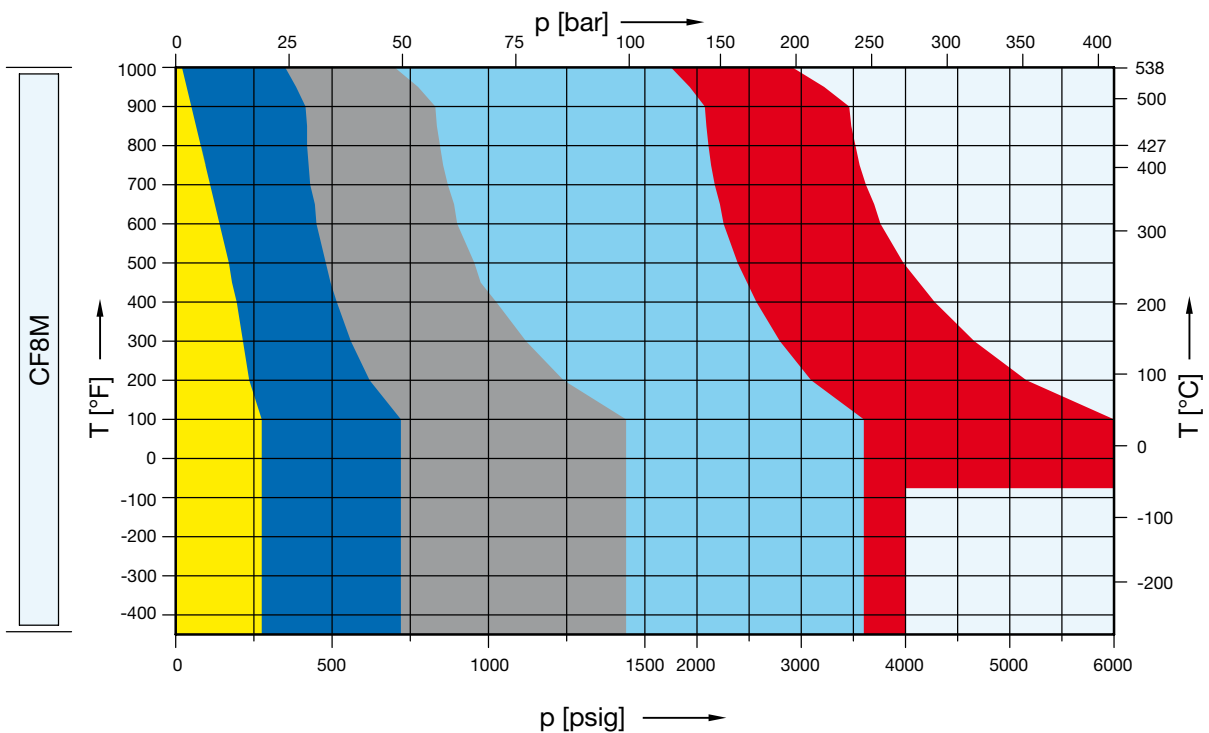
Orifice E

Selection charts

	150 x 150	300L x 150	300 x 150	600 x 150	900 x 300	1500 x 300	2500 x 300
WCB	5262.015X	See 300 x 150	5262.016X	5262.017X	See 1500 x 300	5262.018X	5262.019X
WC6	-	See 300 x 150	5267.020X	5267.021X	See 1500 x 300	5267.022X	5267.023X



	150 x 150	300L x 150	300 x 150	600 x 150	900 x 300	1500 x 300	2500 x 300
CF8M	5264.024X	See 300 x 150	5264.025X	5264.026X	See 1500 x 300	5264.027X	5264.028X



Type 526

Orifice E

Article numbers, dimensions and weights

Article numbers

Valve size	1 E 2	1 E 2	1 E 2	1 E 2	1 1/2 E 2	1 1/2 E 2	1 1/2 E 3
Flange rating class <small>Inlet x Outlet</small>	150 x 150	300L x 150	300 x 150	600 x 150	900 x 300	1500 x 300	2500 x 300
Actual Orifice diameter d_0 [mm]	14.0	14.0	14.0	14.0	14.0	14.0	14.0
Actual Orifice area A_0 [mm ²]	154	154	154	154	154	154	154
Body material							
WCB 1.0619	Art. No. 5262.015[□]	Use 1 E 2 300 x 150	5262.016[□]	5262.017[□]	Use 1 1/2 E 2 1500 x 300	5262.018[□]	5262.019[□]
CF8M 1.4408	Art. No. 5264.024[□]		5264.025[□]	5264.026[□]		5264.027[□]	5264.028[□]
WC6 1.7357	Art. No. –		5267.020[□]	5267.021[□]		5267.022[□]	5267.023[□]
LCB	Art. No. 5263.505[□]		5263.506[□]	5263.507[□]		5263.508[□]	5263.509[□]

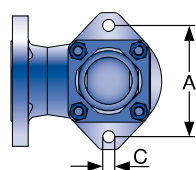
[□] Please add code for the required cap or lifting device. See below.

Dimensions and weights

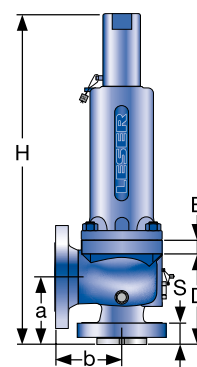
Metric units									
Weight [kg]		17.3	Use 1 E 2 300 x 150	17.3	17.3	Use 1 1/2 E 2 1500 x 300	31.1	41.8	
		with bellows		18.4	18.4		18.4	33.1	44.6
Center to face [mm]	Inlet a	105		105	105		105	105	140
	Outlet b	114		114	114		114	140	178
	s	30		30	30		30	44	57
Height (H4) [mm]	Standard H max.	440		440	440		440	517	576
	Bellows H max.	465	465	465	465	542	576		
Support brackets [mm]	A	130	130	130	130	162	162		
	B	–	–	–	–	–	–		
	C	Ø 14	Ø 14	Ø 14	Ø 14	Ø 14	Ø 14		
	D	132	132	132	132	129	189		
	E	16	16	16	16	16	16		
US units									
Weight [lbs]		38.1	Use 1 E 2 300 x 150	38.1	38.1	Use 1 1/2 E 2 1500 x 300	68.6	92.2	
		with bellows		40.6	40.6		40.6	73	98.3
Center to face [inch]	Inlet a	4 1/8		4 1/8	4 1/8		4 1/8	4 1/8	5 1/2
	Outlet b	4 1/2		4 1/2	4 1/2		4 1/2	5 1/2	7
	s	1 3/16		1 3/16	1 3/16		1 3/16	1 3/4	2 1/4
Height (H4) [inch]	Standard H max.	17 5/16		17 5/16	17 5/16		17 5/16	20 11/32	22 11/16
	Bellows H max.	18 5/16	18 5/16	18 5/16	18 5/16	21 11/32	22 11/16		
Support brackets [inch]	A	5 1/8	5 1/8	5 1/8	5 1/8	6 3/8	6 3/8		
	B	–	–	–	–	–	–		
	C	Ø 9/16	Ø 9/16	Ø 9/16	Ø 9/16	Ø 9/16	Ø 9/16		
	D	5 7/32	5 7/32	5 7/32	5 7/32	5 7/32	7 15/32		
	E	5/8	5/8	5/8	5/8	5/8	5/8		

[□] Code for lifting device

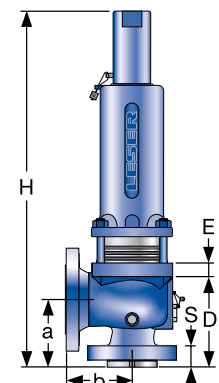
Lifting device	H2	H3	H4	H3
Bonnet	closed	closed	closed	open
WCB 1.0619, WC6 1.7357, LCB	2	3	4	5
CF8M 1.4408	2	–	4	–



Support brackets



Conventional design



Balanced bellows design

Type 526

Orifice E

Pressure temperature ratings

Metric units

Valve size	1 E 2	1 E 2	1 E 2	1 E 2	1 ½ E 2	1 ½ E 2	1 ½ E 3
Flange rating class <small>Inlet x Outlet</small>	150 x 150	300L x 150	300 x 150	600 x 150	900 x 300	1500 x 300	2500 x 300
Actual Orifice diameter d_o [mm]	14.0	14.0	14.0	14.0	14.0	14.0	14.0
Actual Orifice area A_o [mm ²]	154	154	154	154	154	154	154
Minimum set pressure [bar] S/G/L	0.3	0.3	0.3	0.3	5.0	5.0	18.5
Minimum set pressure [bar] S/G	3.5	3.5	3.5	11.0	24.0	24.0	24.0
Balanced bellows Inconel [bar] L	3.5	3.5	3.5	11.0	11.0	11.0	11.0

Body material: WCB 1.0619 Pressure range p [bar] S/G/L

Article numbers	5262.015 [□]		5262.016 [□]	5262.017 [□]		5262.018 [□]	5262.019 [□]
Maximum set pressure	-29 to 38 °C	Use 1 E 2 300 x 150	51.0	102.1	Use 1 ½ E 2 1500 x 300	255.5	413.8
	232 °C		42.4	85.2		212.4	354.1
	427 °C		28.3	56.9		142.1	236.6
Outlet pressure limit Conventional design	19.7		19.7	19.7		41.4	51.0
Outlet pressure limit Balanced bellows design	15.9		15.9	15.9		34.5	34.5

Body material: CF8M 1.4408 Pressure range p [bar] S/G/L

Article numbers	5264.024 [□]		5264.025 [□]	5264.026 [□]		5264.027 [□]	5264.028 [□]
Maximum set pressure	-268 to -60 °C	Use 1 E 2 300 x 150	49.7	99.3	Use 1 ½ E 2 1500 x 300	248.3	275.9
	-59 to -29 °C		49.7	99.3		248.3	413.8
	-28 to 38 °C		49.7	99.3		248.3	413.8
	232 °C		34.1	67.2		171.0	284.8
	427 °C		29.0	58.3		145.5	242.8
538 °C	24.1	48.3	120.7	201.0			
Outlet pressure limit Conventional design	19.0		19.0	19.0		41.4	49.7
Outlet pressure limit Balanced bellows design	15.9		15.9	15.9		34.5	34.5

Body material: WC6 1.7357 Pressure range p [bar] S/G/L

Article numbers			5267.020 [□]	5267.021 [□]		5267.022 [□]	5267.023 [□]
Maximum set pressure	427 °C	Use 1 E 2 300 x 150	35.2	70.0	Use 1 ½ E 2 1500 x 300	175.2	291.7
	538 °C		14.8	29.7		74.5	124.1
Outlet pressure limit Conventional design	-		19.7	19.7		41.4	51.0
Outlet pressure limit Balanced bellows design	-		15.9	15.9		34.5	34.5

Body material: LCB Pressure range p [bar] S/G/L

Article numbers	5263.505 [□]		5263.506 [□]	5263.507 [□]		5263.508 [□]	5263.509 [□]
Maximum set pressure	-46 to 38 °C	Use 1 E 2 300 x 150	48.0	96.0	Use 1 ½ E 2 1500 x 300	240.1	400.1
	200 °C		42.5	85.1		212.7	354.4
	343 °C		36.4	72.8		182.0	303.3
Outlet pressure limit Conventional design	18.4		18.4	18.4		41.4	48.0
Outlet pressure limit Balanced bellows design	15.9		15.9	15.9		34.5	34.5

[□] Please add code for the required cap or lifting device. See page 13.

Remark: SA 352 Gr. LCB is not listed in the API 526. Pressure-Temperature Rating acc. to ASME B16.34 Table 2-1.3

The stated Pressure-Temperature Rating are taken from ASME B16.34 Table 2-1.3 if the maximum pressure is not limited by API 526.

Due to the extended material test certificate the LESER LCB can be applied as LCC, WCB, WCC and 1.0619 with the respective pressure-temperature range as well.

Type 526

Orifice E

Pressure temperature ratings

US units

Valve size	1 E 2	1 E 2	1 E 2	1 E 2	1 1/2 E 2	1 1/2 E 2	1 1/2 E 3
Flange rating class <small>Inlet x Outlet</small>	150 x 150	300L x 150	300 x 150	600 x 150	900 x 300	1500 x 300	2500 x 300
Actual Orifice diameter d_o [inch]	0.551	0.551	0.551	0.551	0.551	0.551	0.551
Actual Orifice area A_o [inch ²]	0.239	0.239	0.239	0.239	0.239	0.239	0.239
Minimum set pressure [psig] S/G/L	4.0	4.0	4.0	4.0	73.0	73.0	268.0
Minimum set pressure [psig] S/G	50.8	50.8	50.8	159.5	348.0	348.0	348.0
Balanced bellows Inconel [psig] L	50.8	50.8	50.8	159.5	159.5	159.5	159.5

Body material: WCB 1.0619		Pressure range p [psig] S/G/L					
Article numbers	5262.015^a		5262.016^a	5262.017^a		5262.018^a	5262.019^a
Maximum set pressure	-20 to 100 °F	285	740	1480		3705	6000
	450 °F	185	615	1235		3080	5135
	800 °F	80	410	825	Use 1 1/2 E 2 1500 x 300	2060	3430
Outlet pressure limit Conventional design	285	Use 1 E 2 300 x 150	285	285		600	740
Outlet pressure limit Balanced bellows design	230		230	230		500	500

Body material: CF8M 1.4408		Pressure range p [psig] S/G/L					
Article numbers	5264.024^a		5264.025^a	5264.026^a		5264.027^a	5264.028^a
Maximum set pressure	-450 to -76 °F	275	720	1440		3600	4000
	-75 to -21 °F	275	720	1440		3600	6000
	-20 to 100 °F	275	720	1440		3600	6000
	450 °F	180	495	975		2480	4130
	800 °F	80	420	845	Use 1 1/2 E 2 1500 x 300	2110	3520
	1000 °F	20	350	700		1750	2915
Outlet pressure limit Conventional design	275	Use 1 E 2 300 x 150	275	275		600	720
Outlet pressure limit Balanced bellows design	230		230	230		500	500

Body material: WC6 1.7357		Pressure range p [psig] S/G/L					
Article numbers	-		5267.020^a	5267.021^a		5267.022^a	5267.023^a
Maximum set pressure	800 °F	-	510	1015		2540	4230
	1000 °F	-	215	430		1080	1800
Outlet pressure limit Conventional design	-	Use 1 E 2 300 x 150	285	285	Use 1 1/2 E 2 1500 x 300	600	740
Outlet pressure limit Balanced bellows design	-		230	230		500	500

Body material: LCB		Pressure range p [psig] S/G/L					
Article numbers	5263.505^a		5263.506^a	5263.507^a		5263.508^a	5263.509^a
Maximum set pressure	-50 to 100 °F	265	695	1395		3480	5805
	400 °F	200	615	1230		3075	5125
	650 °F	125	535	1065	Use 1 1/2 E 2 1500 x 300	2665	4440
Outlet pressure limit Conventional design	265	Use 1 E 2 300 x 150	265	265		600	695
Outlet pressure limit Balanced bellows design	230		230	230		500	500

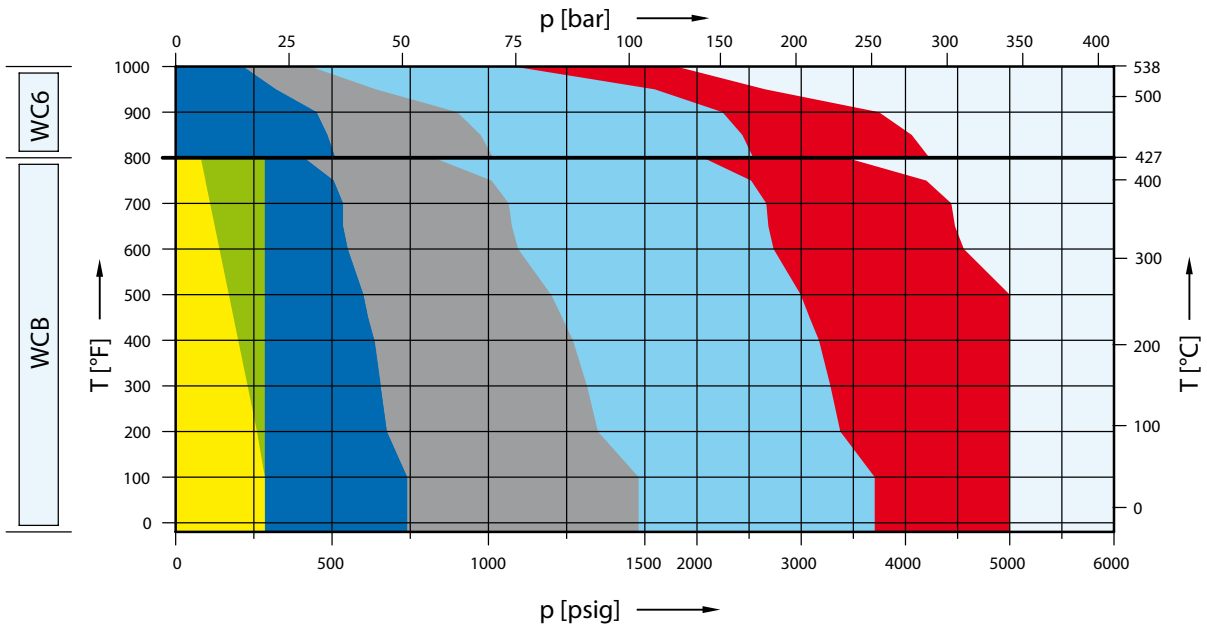
^{a)} Please add code for the required cap or lifting device. See page 13.

Remark: SA 352 Gr. LCB is not listed in the API 526. Pressure-Temperature Rating acc. to ASME B16.34 Table 2-1.3
The stated Pressure-Temperature Rating are taken from ASME B16.34 Table 2-1.3 if the maximum pressure is not limited by API 526.

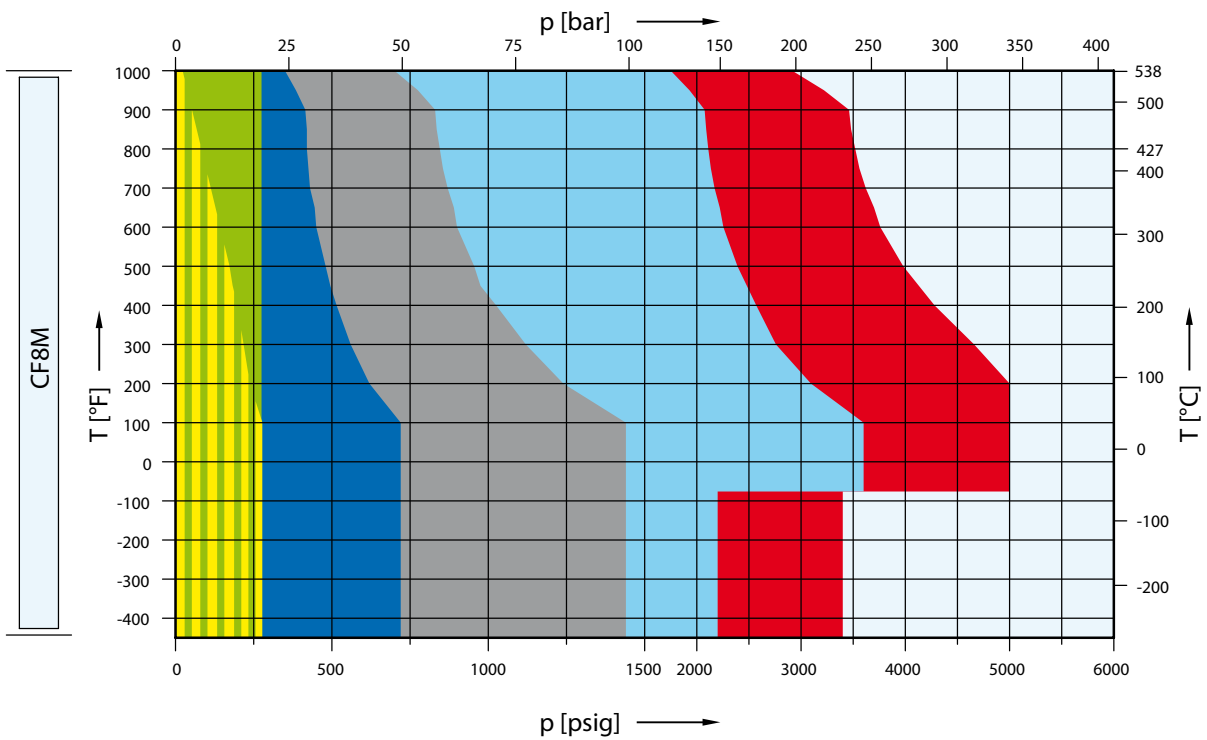
Due to the extended material test certificate the LESER LCB can be applied as LCC, WCB, WCC and 1.0619 with the respective pressure-temperature range as well.

Type 526 Orifice F Selection charts

	150 x 150	300L x 150	300 x 150	600 x 150	900 x 300	1500 x 300	2500 x 300
WCB	5262.029X	5262.030X	5262.031X	5262.032X	See 1500 x 300	5262.033X	5262.034X
WC6	-	-	5267.035X	5267.036X	See 1500 x 300	5267.037X	5267.038X



	150 x 150	300L x 150	300 x 150	600 x 150	900 x 300	1500 x 300	2500 x 300
CF8M	5264.039X	5264.040X	5264.041X	5264.042X	See 1500 x 300	5264.043X	5264.044X



Type 526

Orifice F

Article numbers, dimensions and weights

Article numbers

Valve size	1 1/2 F 2	1 1/2 F 2	1 1/2 F 2	1 1/2 F 2	1 1/2 F 3	1 1/2 F 3	1 1/2 F 3
Flange rating class <small>Inlet x Outlet</small>	150 x 150	300L x 150	300 x 150	600 x 150	900 x 300	1500 x 300	2500 x 300
Actual Orifice diameter d ₀ [mm]	18.0	18.0	18.0	18.0	18.0	18.0	18.0
Actual Orifice area A ₀ [mm ²]	254	254	254	254	254	254	254
Body material							
WCB 1.0619	Art. No. 5262.029^o	5262.030^o	5262.031^o	5262.032^o	Use 1 1/2 F 2 1500 x 300	5262.033^o	5262.034^o
CF8M 1.4408	Art. No. 5264.039^o	5264.040^o	5264.041^o	5264.042^o		5264.043^o	5264.044^o
WC6 1.7357	Art. No. –	–	5267.035^o	5267.036^o		5267.037^o	5267.038^o
LCB	Art. No. 5263.510^o	5263.511^o	5263.512^o	5263.513^o		5263.514^o	5263.515^o

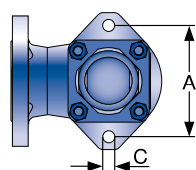
^o Please add code for the required cap or lifting device. See below.

Dimensions and weights

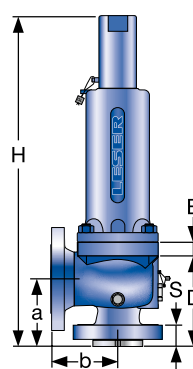
Metric units								
Weight [kg]		30.6	30.6	32.5	32.5	Use 1 1/2 F 2 1500 x 300	36.3	41.8
	with bellows	33.1	33.1	35	35		38.6	44.6
Center to face [mm]	Inlet a	124	124	124	124		124	140
	Outlet b	121	121	152	152		165	178
	s	32	32	35	35		44	57
Height (H4) [mm]	Standard H max.	536	536	536	536		560	576
	Bellows H max.	561	561	561	561	560	576	
Support brackets [mm]	A	162	162	162	162	162	162	
	B	–	–	–	–	–	–	
	C	Ø 14	–	Ø 14	Ø 14	Ø 14	Ø 14	
	D	148	148	148	148	174	189	
	E	16	16	16	16	16	16	
US units								
Weight [lbs]		67.5	67.5	71.1	71.1	Use 1 1/2 F 2 1500 x 300	80	92.2
	with bellows	73	73	77.2	77.2		85.1	98.3
Center to face [inch]	Inlet a	4 7/8	4 7/8	4 7/8	4 7/8		4 7/8	5 1/2
	Outlet b	4 3/4	4 3/4	6	6		6 1/2	7
	s	1 1/4	1 1/4	1 13/32	1 13/32		1 3/4	2 1/4
Height (H4) [inch]	Standard H max.	21 3/32	21 3/32	21 3/32	21 3/32		22 1/16	22 11/16
	Bellows H max.	22 3/32	22 3/32	22 3/32	22 3/32	22 1/16	22 11/16	
Support brackets [inch]	A	6 3/8	6 3/8	6 3/8	6 3/8	6 3/8	6 3/8	
	B	–	–	–	–	–	–	
	C	Ø 9/16	Ø 9/16	Ø 9/16	Ø 9/16	Ø 9/16	Ø 9/16	
	D	5 27/32	5 27/32	5 27/32	5 27/32	6 27/32	6 27/32	
	E	5/8	5/8	5/8	5/8	5/8	5/8	

Code for lifting device

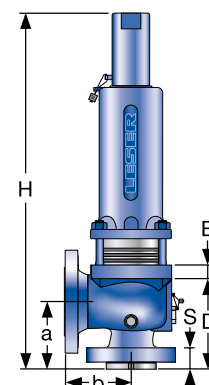
Lifting device	H2	H3	H4	H3
Bonnet	closed	closed	closed	open
WCB 1.0619, WC6 1.7357, LCB	2	3	4	5
CF8M 1.4408	2	–	4	–



Support brackets



Conventional design



Balanced bellows design

Type 526

Orifice F

Pressure temperature ratings

Metric units

Valve size	1 1/2 F 2	1 1/2 F 2	1 1/2 F 2	1 1/2 F 2	1 1/2 F 3	1 1/2 F 3	1 1/2 F 3	
Flange rating class <small>Inlet x Outlet</small>	150 x 150	300L x 150	300 x 150	600 x 150	900 x 300	1500 x 300	2500 x 300	
Actual Orifice diameter d_0 [mm]	18.0	18.0	18.0	18.0	18.0	18.0	18.0	
Actual Orifice area A_0 [mm ²]	254	254	254	254	254	254	254	
Minimum set pressure [bar] S/G/L	0.3	0.3	0.3	0.3	0.3	0.3	0.3	
Minimum set pressure [bar] S/G	1.7	1.7	1.7	12.0	12.0	12.0	13.5	
Balanced bellows Inconel [bar] L	2.5	2.5	2.5	8.2	8.2	8.2	8.2	
Body material: WCB 1.0619								
Pressure range p [bar] S/G/L								
Article numbers	5262.029^o	5262.030^o	5262.031^o	5262.032^o	Use 1 1/2 F 3 1500 x 300	5262.033^o	5262.034^o	
Maximum set pressure	-29 to 38 °C	19.7	19.7	51.0		102.1	255.5	344.8
	232 °C	12.8	19.7	42.4		85.2	212.4	344.8
	427 °C	5.5	19.7	28.3		56.9	142.1	236.6
Outlet pressure limit Conventional design	19.7	19.7	19.7	19.7		51.0	51.0	
Outlet pressure limit Balanced bellows design	15.9	15.9	15.9	15.9	34.5	34.5		
Body material: CF8M 1.4408								
Pressure range p [bar] S/G/L								
Article numbers	5264.039^o	5264.040^o	5264.041^o	5264.042^o	Use 1 1/2 F 3 1500 x 300	5264.043^o	5264.044^o	
Maximum set pressure	-268 to -60 °C	19.0	19.0	49.7		99.3	151.7	234.5
	-59 to -29 °C	19.0	19.0	49.7		99.3	248.3	344.8
	-28 to 38 °C	19.0	19.0	49.7		99.3	248.3	344.8
	232 °C	12.4	19.0	34.1		67.2	171.0	284.8
	427 °C	5.5	19.0	29.0		58.3	145.5	242.8
538 °C	1.4	19.0	24.1	48.3	120.7	201.0		
Outlet pressure limit Conventional design	19.0	19.0	19.0	19.0	49.7	49.7		
Outlet pressure limit Balanced bellows design	15.9	15.9	15.9	15.9	34.5	34.5		
Body material: WC6 1.7357								
Pressure range p [bar] S/G/L								
Article numbers	-	-	5267.035^o	5267.036^o	Use 1 1/2 F 3 1500 x 300	5267.037^o	5267.038^o	
Maximum set pressure	427 °C	-	35.2	70.0		175.2	291.7	
	538 °C	-	14.8	29.7		74.5	124.1	
Outlet pressure limit Conventional design	-	-	19.7	19.7		51.0	51.0	
Outlet pressure limit Balanced bellows design	-	-	15.9	15.9		34.5	34.5	
Body material: LCB								
Pressure range p [bar] S/G/L								
Article numbers	5263.510^o	5263.511^o	5263.512^o	5263.513^o	Use 1 1/2 F 3 1500 x 300	5263.514^o	5263.515^o	
Maximum set pressure	-46 to 38 °C	18.4	18.4	48.0		96.0	240.1	344.8
	200 °C	13.8	18.4	42.5		85.1	212.7	344.8
	343 °C	8.4	18.4	36.4		72.8	182.0	303.3
Outlet pressure limit Conventional design	18.4	18.4	18.4	18.4		48.0	48.0	
Outlet pressure limit Balanced bellows design	15.9	15.9	15.9	15.9	34.5	34.5		

^o Please add code for the required cap or lifting device. See page 13.

Remark: SA 352 Gr. LCB is not listed in the API 526. Pressure-Temperature Rating acc. to ASME B16.34 Table 2-1.3
The stated Pressure-Temperature Rating are taken from ASME B16.34 Table 2-1.3 if the maximum pressure is not limited by API 526.

Due to the extended material test certificate the LESER LCB can be applied as LCC, WCB, WCC and 1.0619 with the respective pressure-temperature range as well.

Type 526

Orifice F

Pressure temperature ratings

US units

Valve size	1 1/2 F 2	1 1/2 F 2	1 1/2 F 2	1 1/2 F 2	1 1/2 F 3	1 1/2 F 3	1 1/2 F 3	
F Flange rating class <small>Inlet x Outlet</small>	150 x 150	300L x 150	300 x 150	600 x 150	900 x 300	1500 x 300	2500 x 300	
Actual Orifice diameter d_0 [inch]	0.709	0.709	0.709	0.709	0.709	0.709	0.709	
Actual Orifice area A_0 [inch ²]	0.394	0.394	0.394	0.394	0.394	0.394	0.394	
Minimum set pressure [psig] S/G/L	4.0	4.0	4.0	4.0	4.0	4.0	4.0	
Minimum set pressure [psig] S/G	24.6	24.6	24.6	174.0	174.0	174.0	159.0	
Balanced bellows Inconel [psig] L	36.3	36.3	36.3	118.9	118.9	118.9	118.9	
Body material: WCB 1.0619								
Pressure range p [psig] S/G/L								
Article numbers	5262.029^o	5262.030^o	5262.031^o	5262.032^o	Use 1 1/2 F 3 1500 x 300	5262.033^o	5262.034^o	
Maximum set pressure	-20 to 100 °F	285	285	740		1480	3705	5000
	450 °F	185	285	615		1235	3080	5000
	800 °F	80	285	410		825	2060	3430
Outlet pressure limit	Conventional design	285	285	285		285	740	740
Outlet pressure limit	Balanced bellows design	230	230	230	230	500	500	
Body material: CF8M 1.4408								
Pressure range p [psig] S/G/L								
Article numbers	5264.039^o	5264.040^o	5264.041^o	5264.042^o	Use 1 1/2 F 3 1500 x 300	5264.043^o	5264.044^o	
Maximum set pressure	-450 to -76 °F	275	275	720		1440	2200	3400
	-75 to -21 °F	275	275	720		1440	3600	5000
	-20 to 100 °F	275	275	720		1440	3600	5000
	450 °F	180	275	495		975	2480	4130
	800 °F	80	275	420		845	2110	3520
	1000 °F	20	275	350		700	1750	2915
Outlet pressure limit	Conventional design	275	275	275	275	720	720	
Outlet pressure limit	Balanced bellows design	230	230	230	230	500	500	
Body material: WC6 1.7357								
Pressure range p [psig] S/G/L								
Article numbers	-	-	5267.035^o	5267.036^o	Use 1 1/2 F 3 1500 x 300	5267.037^o	5267.038^o	
Maximum set pressure	800 °F	-	510	1015		2540	4230	
	1000 °F	-	215	430		1080	1800	
Outlet pressure limit	Conventional design	-	285	285		740	740	
Outlet pressure limit	Balanced bellows design	-	230	230		500	500	
Body material: LCB								
Pressure range p [psig] S/G/L								
Article numbers	5263.510^o	5263.511^o	5263.512^o	5263.513^o	Use 1 1/2 F 3 1500 x 300	5263.514^o	5263.515^o	
Maximum set pressure	-50 to 100 °F	265	265	695		1395	3480	5000
	400 °F	200	265	615		1230	3075	5000
	650 °F	125	265	535		1065	2665	4440
Outlet pressure limit	Conventional design	265	265	265		265	695	695
Outlet pressure limit	Balanced bellows design	230	230	230	230	500	500	

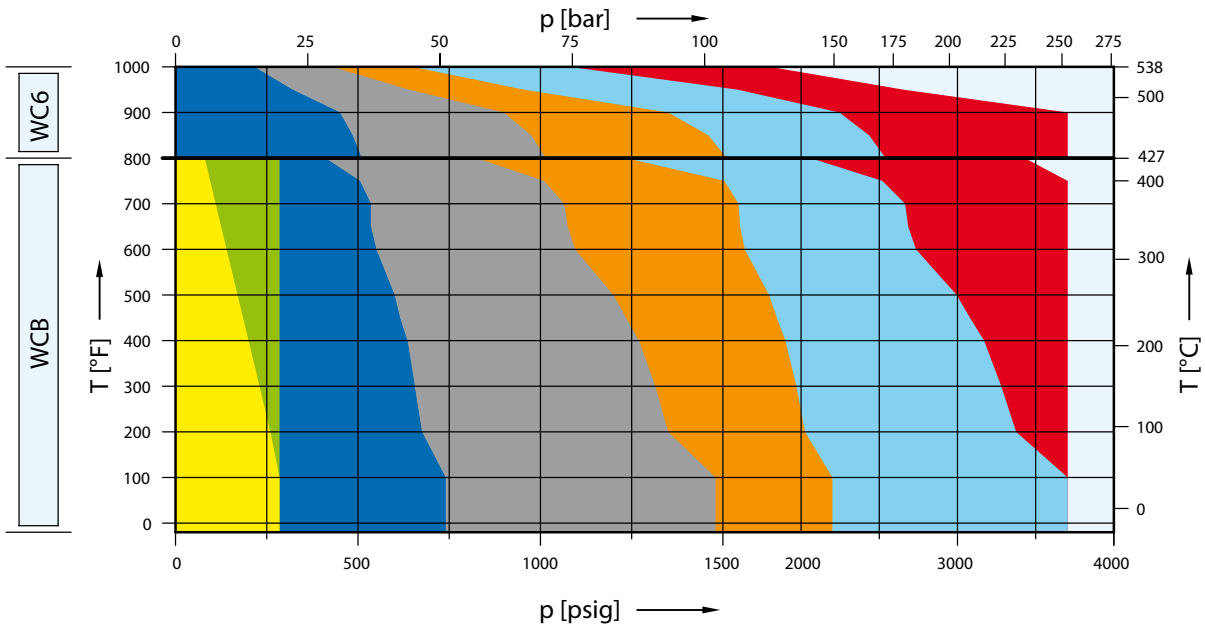
^o) Please add code for the required cap or lifting device. See page 13.

Remark: SA 352 Gr. LCB is not listed in the API 526. Pressure-Temperature Rating acc. to ASME B16.34 Table 2-1.3
The stated Pressure-Temperature Rating are taken from ASME B16.34 Table 2-1.3 if the maximum pressure is not limited by API 526.

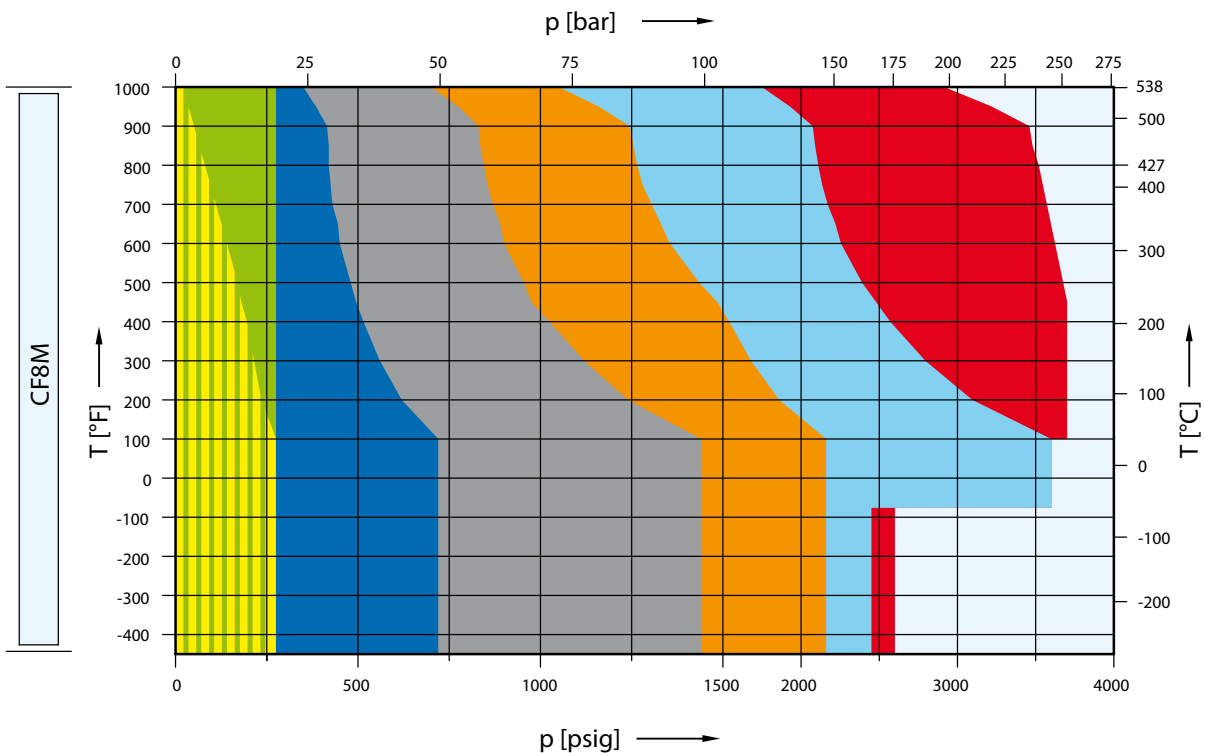
Due to the extended material test certificate the LESER LCB can be applied as LCC, WCB, WCC and 1.0619 with the respective pressure-temperature range as well.

Type 526 Orifice G Selection charts

	150 x 150	300L x 150	300 x 150	600 x 150	900 x 300	1500 x 300	2500 x 300
WCB	5262.045X	5262.046X	5262.047X	5262.048X	5262.049X	5262.050X	5262.051X
WC6	-	-	5267.052X	5267.053X	5267.054X	5267.055X	5267.056X



	150 x 150	300L x 150	300 x 150	600 x 150	900 x 300	1500 x 300	2500 x 300
CF8M	5264.110X	5264.111X	5264.112X	5264.113X	5264.114X	5264.115X	5264.116X



Type 526

Orifice G

Article numbers, dimensions and weights

Article numbers

Valve size	1 1/2 G 3	1 1/2 G 3	1 1/2 G 3	1 1/2 G 3	1 1/2 G 3	2 G 3	2 G 3
Flange rating class <small>Inlet x Outlet</small>	150 x 150	300L x 150	300 x 150	600 x 150	900 x 300	1500 x 300	2500 x 300
Actual Orifice diameter d ₀ [mm]	22.5	22.5	22.5	22.5	22.5	22.5	22.5
Actual Orifice area A ₀ [mm ²]	398	398	398	398	398	398	398
Body material							
WCB 1.0619	Art. No. 5262.045^o	5262.046^o	5262.047^o	5262.048^o	5262.049^o	5262.050^o	5262.051^o
CF8M 1.4408	Art. No. 5264.110^o	5264.111^o	5264.112^o	5264.113^o	5264.114^o	5264.115^o	5264.116^o
WC6 1.7357	Art. No. –	–	5267.052^o	5267.053^o	5267.054^o	5267.055^o	5267.056^o
LCB	Art. No. 5263.516^o	5263.517^o	5263.518^o	5263.519^o	5263.520^o	5263.521^o	5263.522^o

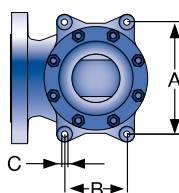
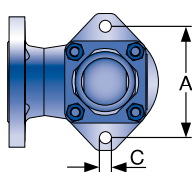
^o Please add code for the required cap or lifting device. See below.

Dimensions and weights

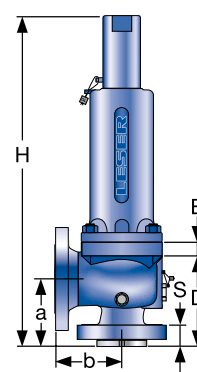
Metric units								
Weight [kg]		30.6	30.6	32.5	32.5	36.3	69.9	69.9
	with bellows	33.1	33.1	35	35	38.6	72.5	72.5
Center to face [mm]	Inlet a	124	124	124	124	124	156	156
	Outlet b	121	121	152	152	165	172	172
	s	32	32	35	35	44	68	68
Height (H4) [mm]	Standard H max.	536	536	536	536	560	688	688
	Bellows H max.	574	574	574	574	573	705	705
Support brackets [mm]	A	162	162	162	162	162	184	184
	B	–	–	–	–	–	110	110
	C	Ø 14	Ø 14	Ø 14	Ø 14	Ø 14	Ø 14	Ø 14
	D	148	148	148	148	174	198	198
	E	16	16	16	16	16	16	16
US units								
Weight [lbs]		67.5	67.5	71.7	71.7	80	154.1	154.1
	with bellows	73	73	77.2	77.2	85	159.9	159.9
Center to face [inch]	Inlet a	4 7/8	4 7/8	4 7/8	4 7/8	4 7/8	6 1/8	6 1/8
	Outlet b	4 3/4	4 3/4	6	6	6 1/2	6 3/4	6 3/4
	s	1 1/4	1 1/4	1 13/32	1 13/32	1 3/4	2 11/16	2 11/16
Height (H4) [inch]	Standard H max.	21 3/32	21 3/32	21 3/32	21 3/32	22 1/16	27 3/32	27 3/32
	Bellows H max.	22 19/32	22 19/32	22 19/32	22 19/32	22 9/16	27 3/4	27 3/4
Support brackets [inch]	A	6 3/8	6 3/8	6 3/8	6 3/8	6 3/8	7 1/4	7 1/4
	B	–	–	–	–	–	4 11/32	4 11/32
	C	Ø 9/16	Ø 9/16	Ø 9/16	Ø 9/16	Ø 9/16	Ø 9/16	Ø 9/16
	D	5 27/32	5 27/32	5 27/32	5 27/32	6 27/32	7 13/16	7 13/16
	E	5/8	5/8	5/8	5/8	5/8	5/8	5/8

^o Code for lifting device

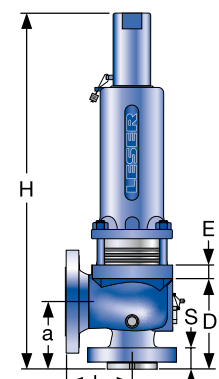
Lifting device	H2	H3	H4	H3
Bonnet	closed	closed	closed	open
WCB 1.0619, WC6 1.7357, LCB	2	3	4	5
CF8M 1.4408	2	–	4	–



Support brackets



Conventional design



Balanced bellows design

Type 526

Orifice G

Pressure temperature ratings

Metric units

Valve size	1 1/2 G 3	1 1/2 G 3	1 1/2 G 3	1 1/2 G 3	1 1/2 G 3	2 G 3	2 G 3
Flange rating class <small>Inlet x Outlet</small>	150 x 150	300L x 150	300 x 150	600 x 150	900 x 300	1500 x 300	2500 x 300
Actual Orifice diameter d_0 [mm]	22.5	22.5	22.5	22.5	22.5	22.5	22.5
Actual Orifice area A_0 [mm ²]	398	398	398	398	398	398	398
Minimum set pressure [bar] S/G/L	0.2 ¹⁾	0.2 ¹⁾	0.2 ¹⁾	0.2 ¹⁾	0.2 ¹⁾	5.0	5.0
Minimum set pressure [bar] S/G	3.4	3.4	3.4	9.2	9.2	9.2	9.2
Balanced bellows Inconel [bar] L	3.2	3.2	3.2	18.5	18.5	18.5	18.5
Body material: WCB 1.0619							
Pressure range p [bar] S/G/L							
Article numbers	5262.045^o	5262.046^o	5262.047^o	5262.048^o	5262.049^o	5262.050^o	5262.051^o
Maximum set pressure	-29 to 38 °C	19.7	19.7	51.0	102.1	153.1	255.5
	232 °C	12.8	19.7	42.4	85.2	127.2	212.4
	427 °C	5.5	19.7	28.3	56.9	85.2	142.1
Outlet pressure limit Conventional design	19.7	19.7	19.7	19.7	51.0	51.0	51.0
Outlet pressure limit Balanced bellows design	15.9	15.9	15.9	15.9	32.4	32.4	32.4
Body material: CF8M 1.4408							
Pressure range p [bar] S/G/L							
Article numbers	5264.110^o	5264.111^o	5264.112^o	5264.113^o	5264.114^o	5264.115^o	5264.116^o
Maximum set pressure	-268 to -60 °C	19.0	19.0	49.7	99.3	149.0	179.3
	-59 to -29 °C	19.0	19.0	49.7	99.3	149.0	248.3
	-28 to 38 °C	19.0	19.0	49.7	99.3	149.0	248.3
	232 °C	12.4	19.0	34.1	67.2	102.4	171.0
	427 °C	5.5	19.0	29.0	58.3	87.2	145.5
538 °C	1.4	19.0	24.1	48.3	72.4	120.7	
Outlet pressure limit Conventional design	19.0	19.0	19.0	19.0	49.7	49.7	49.7
Outlet pressure limit Balanced bellows design	15.9	15.9	15.9	15.9	32.4	32.4	32.4
Body material: WC6 1.7357							
Pressure range p [bar] S/G/L							
Article numbers	-	-	5267.052^o	5267.053^o	5267.054^o	5267.055^o	5267.056^o
Maximum set pressure	427 °C	-	35.2	70.0	105.2	175.2	255.5
	538 °C	-	14.8	29.7	44.8	74.5	124.1
Outlet pressure limit Conventional design	-	-	19.7	19.7	51.0	51.0	51.0
Outlet pressure limit Balanced bellows design	-	-	15.9	15.9	32.4	32.4	32.4
Body material: LCB							
Pressure range p [bar] S/G/L							
Article numbers	5263.516^o	5263.517^o	5263.518^o	5263.519^o	5263.520^o	5263.521^o	5263.522^o
Maximum set pressure	-46 to 38 °C	18.4	18.4	48.0	96.0	144.1	240.1
	200 °C	13.8	18.4	42.5	85.1	127.6	212.7
	343 °C	8.4	18.4	36.4	72.8	109.2	182.0
Outlet pressure limit Conventional design	18.4	18.4	18.4	18.4	48.0	48.0	48.0
Outlet pressure limit Balanced bellows design	15.9	15.9	15.9	15.9	32.4	32.4	32.4

^o) Please add code for the required cap or lifting device. See page 13.

Remark: SA 352 Gr. LCB is not listed in the API 526. Pressure-Temperature Rating acc. to ASME B16.34 Table 2-1.3
The stated Pressure-Temperature Rating are taken from ASME B16.34 Table 2-1.3 if the maximum pressure is not limited by API 526.

Due to the extended material test certificate the LESER LCB can be applied as LCC, WCB, WCC and 1.0619 with the respective pressure-temperature range as well.

¹⁾ The pressure range 0.2 – 2.5 bar is outside of the type test approval acc. to ISO 4126-1 and AD 2000-Merkblatt A2 (CE).

Type 526

Orifice G

Pressure temperature ratings

US units

Valve size	1 1/2 G 3	1 1/2 G 3	1 1/2 G 3	1 1/2 G 3	1 1/2 G 3	2 G 3	2 G 3
Flange rating class <small>Inlet x Outlet</small>	150 x 150	300L x 150	300 x 150	600 x 150	900 x 300	1500 x 300	2500 x 300
Actual Orifice diameter d_0 [inch]	0.886	0.886	0.886	0.886	0.886	0.886	0.886
Actual Orifice area A_0 [inch ²]	0.616	0.616	0.616	0.616	0.616	0.616	0.616
Minimum set pressure [psig] S/G/L	3.0 ¹⁾	3.0 ¹⁾	3.0 ¹⁾	3.0 ¹⁾	3.0 ¹⁾	73.0	73.0
Minimum set pressure [psig] S/G	46.6	46.6	46.6	133.4	133.4	133.4	133.4
Balanced bellows Inconel [psig] L	46.4	46.4	46.4	268.0	268.0	268.0	268.0
Body material: WCB 1.0619		Pressure range p [psig] S/G/L					
Article numbers	5262.045^{o)}	5262.046^{o)}	5262.047^{o)}	5262.048^{o)}	5262.049^{o)}	5262.050^{o)}	5262.051^{o)}
Maximum set pressure	-20 to 100 °F	285	285	740	1480	2220	3705
	450 °F	185	285	615	1235	1845	3705
	800 °F	80	285	410	825	1235	3430
Outlet pressure limit Conventional design	285	285	285	285	740	740	740
Outlet pressure limit Balanced bellows design	230	230	230	230	470	470	470
Body material: CF8M 1.4408		Pressure range p [psig] S/G/L					
Article numbers	5264.110^{o)}	5264.111^{o)}	5264.112^{o)}	5264.113^{o)}	5264.114^{o)}	5264.115^{o)}	5264.116^{o)}
Maximum set pressure	-450 to -76 °F	275	275	720	1440	2160	2450
	-75 to -21 °F	275	275	720	1440	2160	3600
	-20 to 100 °F	275	275	720	1440	2160	3705
	450 °F	180	275	495	975	1485	3705
	800 °F	80	275	420	845	1265	3520
	1000 °F	20	275	350	700	1050	2915
Outlet pressure limit Conventional design	275	275	275	275	720	720	720
Outlet pressure limit Balanced bellows design	230	230	230	230	470	470	470
Body material: WC6 1.7357		Pressure range p [psig] S/G/L					
Article numbers	–	–	5267.052^{o)}	5267.053^{o)}	5267.054^{o)}	5267.055^{o)}	5267.056^{o)}
Maximum set pressure	800 °F	–	510	1015	1525	2540	3705
	1000 °F	–	215	430	650	1080	1800
Outlet pressure limit Conventional design	–	–	285	285	740	740	740
Outlet pressure limit Balanced bellows design	–	–	230	230	470	470	470
Body material: LCB		Pressure range p [psig] S/G/L					
Article numbers	5263.516^{o)}	5263.517^{o)}	5263.518^{o)}	5263.519^{o)}	5263.520^{o)}	5263.521^{o)}	5263.522^{o)}
Maximum set pressure	-50 to 100 °F	265	265	695	1395	2090	3480
	400 °F	200	265	615	1230	1845	3705
	650 °F	125	265	535	1065	1600	3705
Outlet pressure limit Conventional design	265	265	265	265	695	695	695
Outlet pressure limit Balanced bellows design	230	230	230	230	470	470	470

^{o)} Please add code for the required cap or lifting device. See page 13.

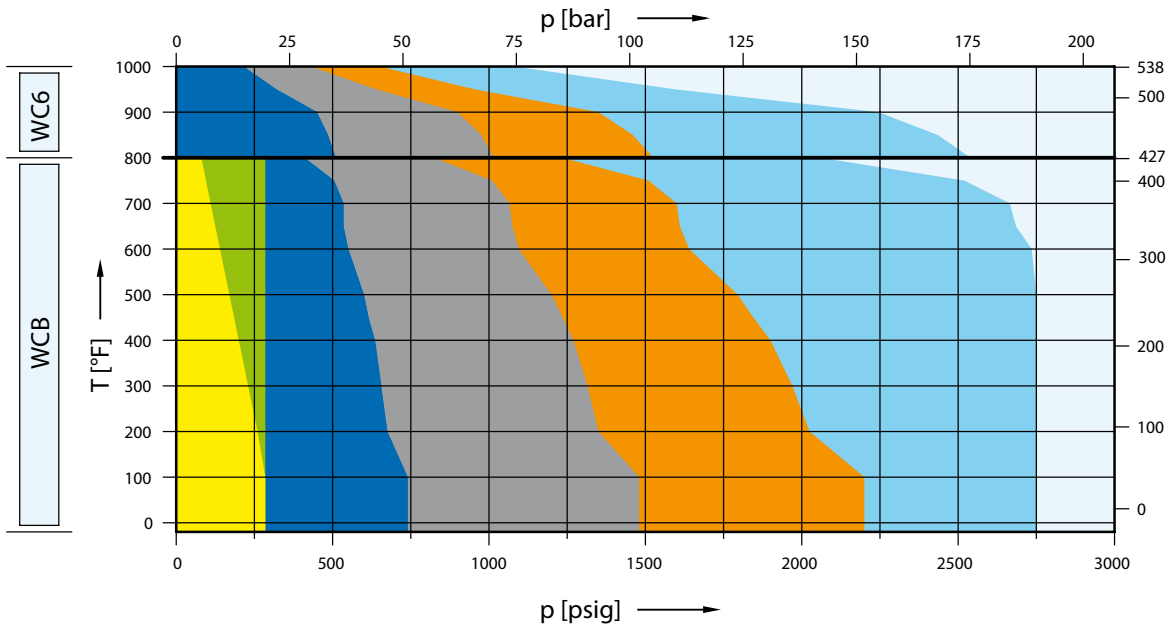
Remark: SA 352 Gr. LCB is not listed in the API 526. Pressure-Temperature Rating acc. to ASME B16.34 Table 2-1.3
The stated Pressure-Temperature Rating are taken from ASME B16.34 Table 2-1.3 if the maximum pressure is not limited by API 526.

Due to the extended material test certificate the LESER LCB can be applied as LCC, WCB, WCC and 1.0619 with the respective pressure-temperature range as well.

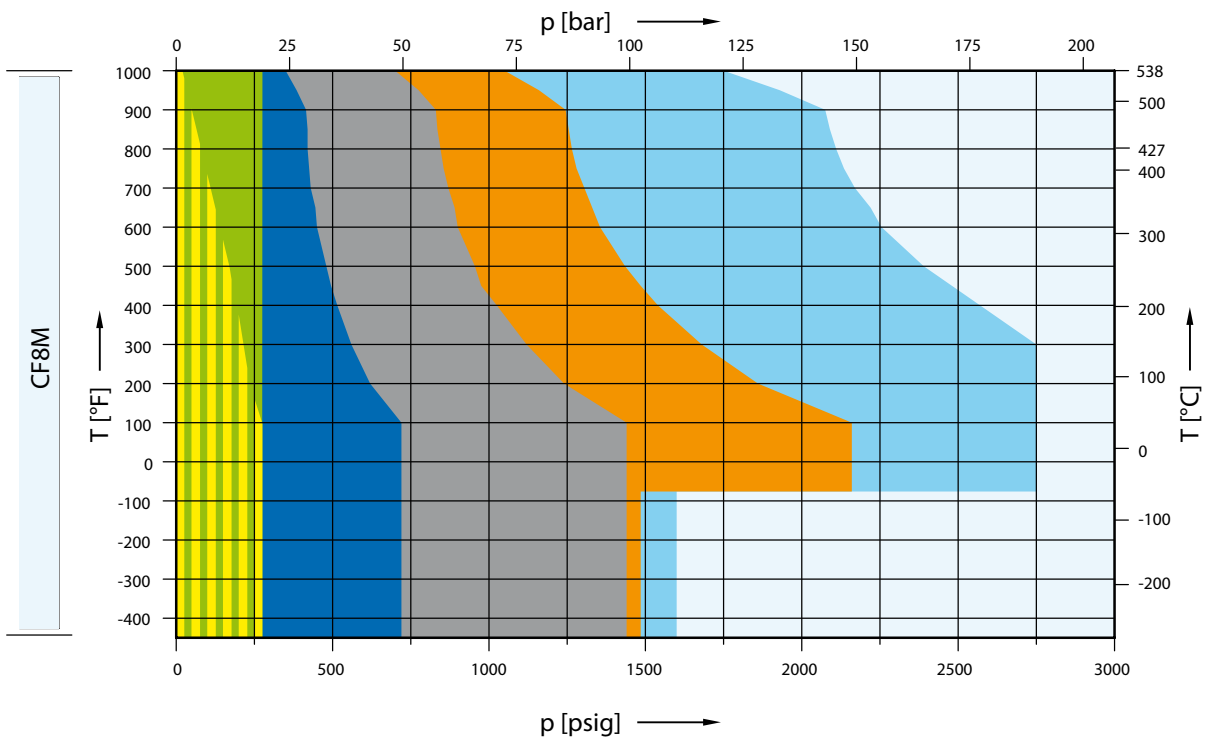
¹⁾ The pressure range 3.0 – 36.25 psig is outside of the type test approval acc. to ISO 4126-1 and AD 2000-Merkblatt A2 (CE).

Type 526 Orifice H Selection charts

	150 x 150	300L x 150	300 x 150	600 x 150	900 x 150	1500 x 300	2500 x 300
WCB	5262.142X	5262.143X	5262.144X	5262.145X	5262.146X	5262.147X	-
WC6	-	-	5267.148X	5267.149X	5267.150X	5267.151X	-



	150 x 150	300L x 150	300 x 150	600 x 150	900 x 150	1500 x 300	2500 x 300
CF8M	5264.152X	5264.153X	5264.154X	5264.155X	5264.156X	5264.157X	-



Type 526

Orifice H

Article numbers, dimensions and weights

Article numbers

Valve size	1 1/2 H 3	1 1/2 H 3	2 H 3	2 H 3	2 H 3	2 H 3
Flange rating class ^{Inlet x Outlet}	150 x 150	300L x 150	300 x 150	600 x 150	900 x 150	1500 x 300
Actual Orifice diameter d ₀ [mm]	28.3	28.3	28.3	28.3	28.3	28.3
Actual Orifice area A ₀ [mm ²]	629	629	629	629	629	629
Body material						
WCB 1.0619	Art. No. 5262.142^o	5262.143^o	5262.144^o	5262.145^o	5262.146^o	5262.147^o
CF8M 1.4408	Art. No. 5264.152^o	5264.153^o	5264.154^o	5264.155^o	5264.156^o	5264.157^o
WC6 1.7357	Art. No. -	-	5267.148^o	5267.149^o	5267.150^o	5267.151^o
LCB	Art. No. 5263.523^o	5263.524^o	5263.525^o	5263.526^o	5263.527^o	5263.528^o

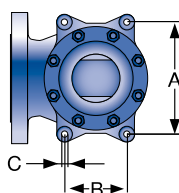
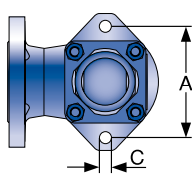
^o Please add code for the required cap or lifting device. See below.

Dimensions and weights

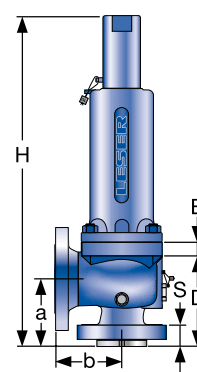
Metric units							
Weight [kg]		30.6	30.6	44.6	62.2	62.2	62.2
	with bellows	33.1	33.1	48.4	65.3	65.3	65.3
Center to face [mm]	Inlet a	130	130	130	154	154	154
	Outlet b	124	124	124	162	162	162
	s	38	38	43	56	56	56
Height (H4) [mm]	Standard H max.	542	542	666	691	691	691
	Bellows H max.	580	580	692	717	717	717
Support brackets [mm]	A	162	162	184	184	184	184
	B	-	-	110	110	110	110
	C	Ø 14	Ø 14	Ø 14	Ø 14	Ø 14	Ø 14
	D	155	155	177	202	202	202
	E	16	16	16	16	16	16
US units							
Weight [lbs]		67.5	67.5	98.3	137.2	137.2	137.2
	with bellows	73	73	106.7	144	144	144
Center to face [inch]	Inlet a	5 1/8	5 1/8	5 1/8	6 1/16	6 1/16	6 1/16
	Outlet b	4 7/8	4 7/8	4 7/8	6 3/8	6 3/8	6 3/8
	s	1 1/2	1 1/2	1 1/16	2 3/16	2 3/16	2 3/16
Height (H4) [inch]	Standard H max.	21 11/32	21 11/32	26 7/32	27 7/32	27 7/32	27 7/32
	Bellows H max.	22 27/32	22 27/32	27 1/4	28 7/32	28 7/32	28 7/32
Support brackets [inch]	A	6 3/8	6 3/8	7 1/4	7 1/4	7 1/4	7 1/4
	B	-	-	4 11/32	4 11/32	4 11/32	4 11/32
	C	Ø 9/16	Ø 9/16	Ø 9/16	Ø 9/16	Ø 9/16	Ø 9/16
	D	6 3/32	6 3/32	6 31/32	7 15/16	7 15/16	7 15/16
	E	5/8	5/8	5/8	5/8	5/8	5/8

^o Code for lifting device

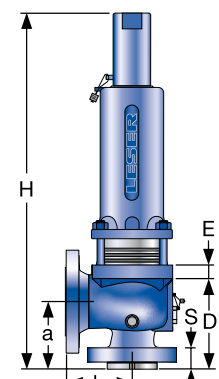
Lifting device	H2	H3	H4	H3
Bonnet	closed	closed	closed	open
WCB 1.0619, WC6 1.7357, LCB	2	3	4	5
CF8M 1.4408	2	-	4	-



Support brackets



Conventional design



Balanced bellows design

Type 526

Orifice H

Pressure temperature ratings

Metric units

Valve size	1 1/2 H 3	1 1/2 H 3	2 H 3	2 H 3	2 H 3	2 H 3	
Flange rating class <small>Inlet x Outlet</small>	150 x 150	300L x 150	300 x 150	600 x 150	900 x 150	1500 x 300	
Actual Orifice diameter d_0 [mm]	28.3	28.3	28.3	28.3	28.3	28.3	
Actual Orifice area A_0 [mm ²]	625	625	625	625	625	625	
Minimum set pressure [bar] S/G/L	0.2	0.2	0.3	0.3	0.3	0.3	
Minimum set pressure [bar] S/G	3.2	3.2	6.5	6.5	6.5	6.5	
Balanced bellows Inconel [bar] L	3.2	3.2	12.0	12.0	12.0	12.0	
Body material: WCB 1.0619							
Pressure range p [bar] S/G/L							
Article numbers	5262.142[□]	5262.143[□]	5262.144[□]	5262.145[□]	5262.146[□]	5262.147[□]	
Maximum set pressure	-29 to 38 °C	19.7	19.7	51.0	102.1	153.1	189.7
	232 °C	12.8	19.7	42.4	85.2	127.2	189.7
	427 °C	5.5	19.7	28.3	56.9	85.2	142.1
Outlet pressure limit Conventional design	19.7	19.7	19.7	19.7	19.7	51.0	
Outlet pressure limit Balanced bellows design	15.9	15.9	15.9	15.9	15.9	28.6	
Body material: CF8M 1.4408							
Pressure range p [bar] S/G/L							
Article numbers	5264.152[□]	5264.153[□]	5264.154[□]	5264.155[□]	5264.156[□]	5264.157[□]	
Maximum set pressure	-268 to -60 °C	19.0	19.0	49.7	99.3	102.4	110.3
	-59 to -29 °C	19.0	19.0	49.7	99.3	149.0	189.7
	-28 to 38 °C	19.0	19.0	49.7	99.3	149.0	189.7
	232 °C	12.4	19.0	34.1	67.2	102.4	171.0
	427 °C	5.5	19.0	29.0	58.3	87.2	145.5
538 °C	1.4	19.0	24.1	48.3	72.4	120.7	
Outlet pressure limit Conventional design	19.0	19.0	19.0	19.0	19.0	41.4	
Outlet pressure limit Balanced bellows design	15.9	15.9	15.9	15.9	15.9	28.6	
Body material: WC6 1.7357							
Pressure range p [bar] S/G/L							
Article numbers	-	-	5267.148[□]	5267.149[□]	5267.150[□]	5267.151[□]	
Maximum set pressure	427 °C	-	35.2	70.0	105.2	175.2	
	538 °C	-	14.8	29.7	44.8	74.5	
Outlet pressure limit Conventional design	-	-	19.7	19.7	19.7	51.0	
Outlet pressure limit Balanced bellows design	-	-	15.9	15.9	15.9	28.6	
Body material: LCB							
Pressure range p [bar] S/G/L							
Article numbers	5263.523[□]	5263.524[□]	5263.525[□]	5263.526[□]	5263.527[□]	5263.528[□]	
Maximum set pressure	-46 to 38 °C	18.4	18.4	48.0	96.0	144.1	189.7
	200 °C	13.8	18.4	42.5	85.1	127.6	189.7
	343 °C	8.4	18.4	36.4	72.8	109.2	182.0
Outlet pressure limit Conventional design	18.4	18.4	18.4	18.4	18.4	48.0	
Outlet pressure limit Balanced bellows design	15.9	15.9	15.9	15.9	15.9	28.6	

[□] Please add code for the required cap or lifting device. See page 13.

Remark: SA 352 Gr. LCB is not listed in the API 526. Pressure-Temperature Rating acc. to ASME B16.34 Table 2-1.3

The stated Pressure-Temperature Rating are taken from ASME B16.34 Table 2-1.3 if the maximum pressure is not limited by API 526.

Due to the extended material test certificate the LESER LCB can be applied as LCC, WCB, WCC and 1.0619 with the respective pressure-temperature range as well.

Type 526

Orifice H

Pressure temperature ratings

US units

Valve size	1 1/2 H 3	1 1/2 H 3	2 H 3	2 H 3	2 H 3	2 H 3
Flange rating class <small>Inlet x Outlet</small>	150 x 150	300L x 150	300 x 150	600 x 150	900 x 150	1500 x 300
Actual Orifice diameter d_0 [inch]	1.11	1.11	1.11	1.11	1.11	1.11
Actual Orifice area A_0 [inch ²]	0.975	0.975	0.975	0.975	0.975	0.975
Minimum set pressure [psig] S/G/L	3.0	3.0	4.0	4.0	4.0	4.0
Minimum set pressure [psig] S/G	46.4	46.4	94.3	94.3	94.3	94.3
Balanced bellows Inconel [psig] L	46.4	46.4	174.0	174.0	174.0	174.0
Body material: WCB 1.0619		Pressure range p [psig] S/G/L				
Article numbers	5262.142^o	5262.143^o	5262.144^o	5262.145^o	5262.146^o	5262.147^o
Maximum set pressure	-20 to 100 °F	285	285	740	1480	2220
	450 °F	185	285	615	1235	1845
	800 °F	80	285	410	825	1235
Outlet pressure limit Conventional design	285	285	285	285	285	740
Outlet pressure limit Balanced bellows design	230	230	230	230	230	415
Body material: CF8M 1.4408		Pressure range p [psig] S/G/L				
Article numbers	5264.152^o	5264.153^o	5264.154^o	5264.155^o	5264.156^o	5264.157^o
Maximum set pressure	-450 to -76 °F	275	275	720	1440	1485
	-75 to -21 °F	275	275	720	1440	2160
	-20 to 100 °F	275	275	720	1440	2160
	450 °F	180	275	495	975	1485
	800 °F	80	275	420	845	1265
	1000 °F	20	275	350	700	1050
Outlet pressure limit Conventional design	275	275	275	275	275	600
Outlet pressure limit Balanced bellows design	230	230	230	230	230	415
Body material: WC6 1.7357		Pressure range p [psig] S/G/L				
Article numbers	-	-	5267.148^o	5267.149^o	5267.150^o	5267.151^o
Maximum set pressure	800 °F	-	510	1015	1525	2540
	1000 °F	-	215	430	650	1080
Outlet pressure limit Conventional design	-	-	285	285	285	740
Outlet pressure limit Balanced bellows design	-	-	230	230	230	415
Body material: LCB		Pressure range p [psig] S/G/L				
Article numbers	5263.523^o	5263.524^o	5263.525^o	5263.526^o	5263.527^o	5263.528^o
Maximum set pressure	-50 to 100 °F	265	265	695	1395	2090
	400 °F	200	265	615	1230	1845
	650 °F	125	265	535	1065	1600
Outlet pressure limit Conventional design	265	265	265	265	265	695
Outlet pressure limit Balanced bellows design	230	230	230	230	230	415

^o) Please add code for the required cap or lifting device. See page 13.

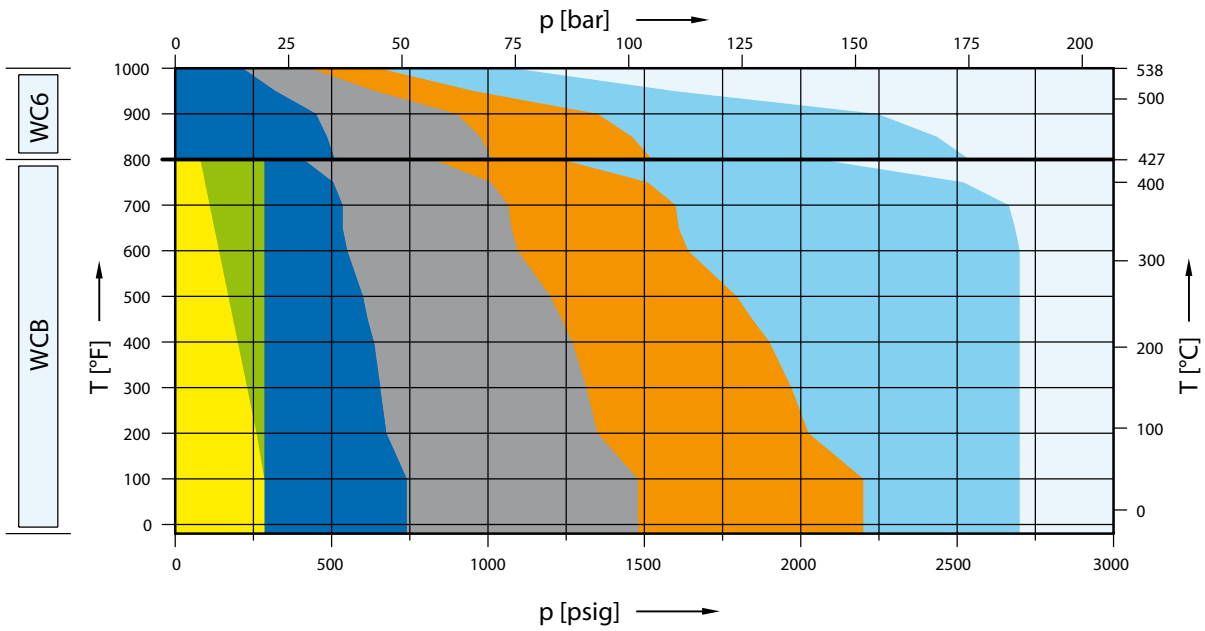
Remark: SA 352 Gr. LCB is not listed in the API 526. Pressure-Temperature Rating acc. to ASME B16.34 Table 2-1.3
The stated Pressure-Temperature Rating are taken from ASME B16.34 Table 2-1.3 if the maximum pressure is not limited by API 526.

Due to the extended material test certificate the LESER LCB can be applied as LCC, WCB, WCC and 1.0619 with the respective pressure-temperature range as well.

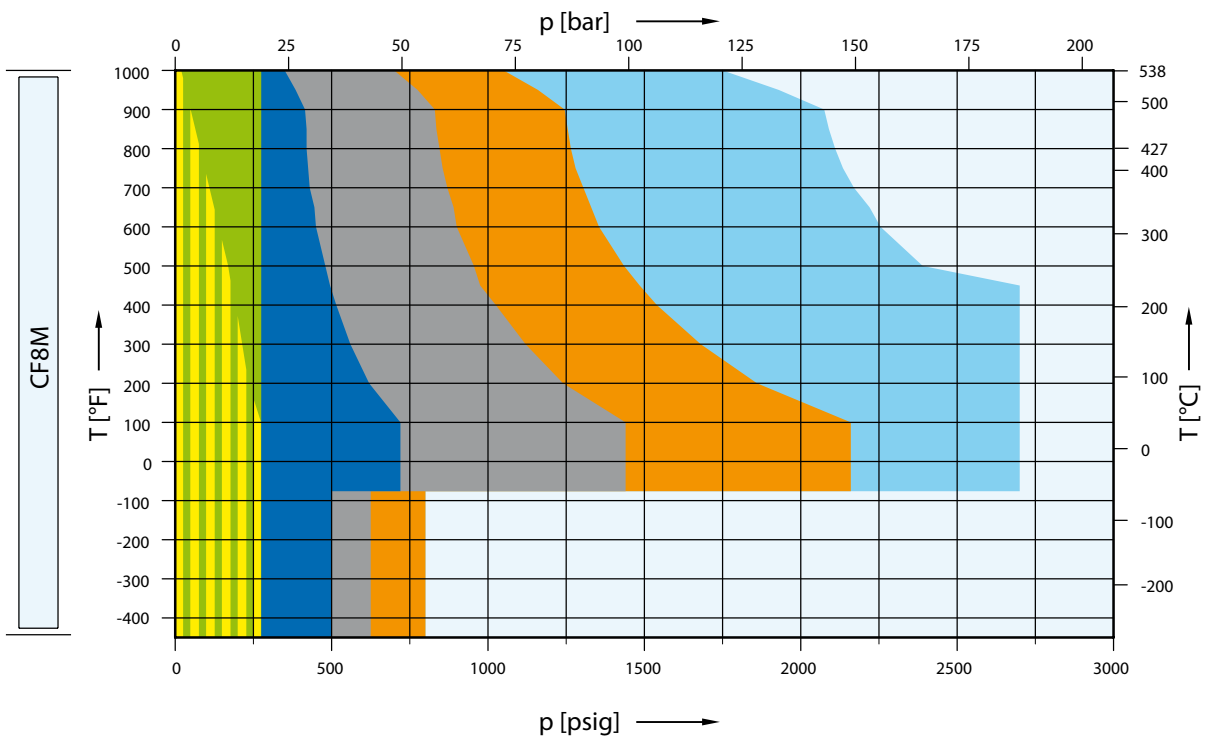
H

Type 526 Orifice J Selection charts

	150 x 150	300L x 150	300 x 150	600 x 150	900 x 150	1500 x 300	2500 x 300
WCB	5262.162X	5262.163X	5262.164X	5262.165X	5262.166X	5262.167X	-
WC6	-	-	5267.168X	5267.169X	5267.170X	5267.171X	-



	150 x 150	300L x 150	300 x 150	600 x 150	900 x 150	1500 x 300	2500 x 300
CF8M	5264.196X	5264.197X	5264.198X	5264.199X	5264.200X	5264.201X	-



Type 526

Orifice J

Article numbers, dimensions and weights

Article numbers

Valve size	2 J 3	2 J 3	3 J 4	3 J 4	3 J 4	3 J 4
Flange rating class ^{Inlet x Outlet}	150 x 150	300L x 150	300 x 150	600 x 150	900 x 150	1500 x 300
Actual Orifice diameter d ₀ [mm]	36.0	36.0	36.0	36.0	36.0	36.0
Actual Orifice area A ₀ [mm ²]	1018	1018	1018	1018	1018	1018
Body material						
WCB 1.0619	Art. No. 5262.162^o	5262.163^o	5262.164^o	5262.165^o	5262.166^o	5262.167^o
CF8M 1.4408	Art. No. 5264.196^o	5264.197^o	5264.198^o	5264.199^o	5264.200^o	5264.201^o
WC6 1.7357	Art. No. -	-	5267.168^o	5267.169^o	5267.170^o	5267.171^o
LCB	Art. No. 5263.529^o	5263.530^o	5263.531^o	5263.532^o	5263.533^o	5263.534^o

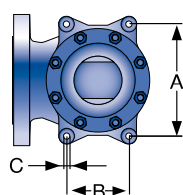
^o Please add code for the required cap or lifting device. See below.

Dimensions and weights

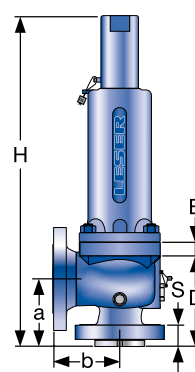
Metric units							
Weight [kg]		44.6	44.6	77.7	77.7	100.2	100.2
	with bellows	48.4	48.4	83.2	83.2	105.7	105.7
Center to face [mm]	Inlet a	137	137	184	184	184	184
	Outlet b	124	124	181	181	181	181
	s	49	49	49	49	65	65
Height (H4) [mm]	Standard H max.	673	673	786	786	786	786
	Bellows H max.	722	722	824	824	824	824
Support brackets [mm]	A	184	184	238	238	238	238
	B	110	110	140	140	140	140
	C	Ø 14	Ø 14	Ø 18	Ø 18	Ø 18	Ø 18
	D	184	184	234	234	234	234
	E	16	16	25	25	25	25
US units							
Weight [lbs]		98.3	98.3	171.3	171.3	220.9	220.9
	with bellows	106.7	106.7	183.5	183.5	233.1	233.1
Center to face [inch]	Inlet a	5 ³ / ₈	5 ³ / ₈	7 ¹ / ₄	7 ¹ / ₄	7 ¹ / ₄	7 ¹ / ₄
	Outlet b	4 ⁷ / ₈	4 ⁷ / ₈	7 ¹ / ₈	7 ¹ / ₈	7 ¹ / ₈	7 ¹ / ₈
	s	1 ¹⁵ / ₁₆	1 ¹⁵ / ₁₆	1 ¹⁵ / ₁₆	1 ¹⁵ / ₁₆	2 ⁹ / ₁₆	2 ⁹ / ₁₆
Height (H4) [inch]	Standard H max.	26 ¹ / ₂	26 ¹ / ₂	30 ¹⁵ / ₁₆	30 ¹⁵ / ₁₆	30 ¹⁵ / ₁₆	30 ¹⁵ / ₁₆
	Bellows H max.	28 ⁷ / ₁₆	28 ⁷ / ₁₆	32 ⁷ / ₁₆	32 ⁷ / ₁₆	32 ⁷ / ₁₆	32 ⁷ / ₁₆
Support brackets [inch]	A	7 ¹ / ₄	7 ¹ / ₄	9 ³ / ₈	9 ³ / ₈	9 ³ / ₈	9 ³ / ₈
	B	4 ¹¹ / ₃₂	4 ¹¹ / ₃₂	5 ¹ / ₂	5 ¹ / ₂	5 ¹ / ₂	5 ¹ / ₂
	C	Ø ⁹ / ₁₆	Ø ⁹ / ₁₆	Ø ²³ / ₃₂	Ø ²³ / ₃₂	Ø ²³ / ₃₂	Ø ²³ / ₃₂
	D	7 ¹ / ₄	7 ¹ / ₄	9 ⁷ / ₃₂	9 ⁷ / ₃₂	9 ⁷ / ₃₂	9 ⁷ / ₃₂
	E	⁵ / ₈	⁵ / ₈	³¹ / ₃₂	³¹ / ₃₂	³¹ / ₃₂	³¹ / ₃₂

^o Code for lifting device

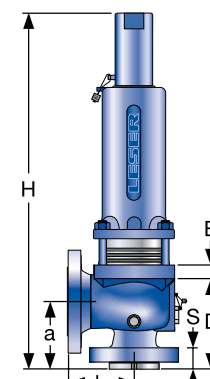
Lifting device	H2	H3	H4	H3
Bonnet	closed	closed	closed	open
WCB 1.0619, WC6 1.7357, LCB	2	3	4	5
CF8M 1.4408	2	-	4	-



Support brackets



Conventional design



Balanced bellows design

Type 526

Orifice J

Pressure temperature ratings

Metric units

Valve size	2 J 3	2 J 3	3 J 4	3 J 4	3 J 4	3 J 4
Flange rating class <small>Inlet x Outlet</small>	150 x 150	300L x 150	300 x 150	600 x 150	900 x 150	1500 x 300
Actual Orifice diameter d_0 [mm]	36.0	36.0	36.0	36.0	36.0	36.0
Actual Orifice area A_0 [mm ²]	1018	1018	1018	1018	1018	1018
Minimum set pressure [bar] S/G/L	0.2	0.2	0.8	0.8	0.8	0.8
Minimum set pressure [bar] S/G	3.5	3.5	3.5	3.5	3.5	3.5
Balanced bellows Inconel [bar] L	5.0	5.0	5.0	5.0	5.0	5.0
Body material: WCB 1.0619			Pressure range p [bar] S/G/L			
Article numbers	5262.162[□]	5262.163[□]	5262.164[□]	5262.165[□]	5262.166[□]	5262.167[□]
Maximum set pressure	-29 to 38 °C	19.7	19.7	51.0	102.1	153.1
	232 °C	12.8	19.7	42.4	85.2	127.2
	427 °C	5.5	19.7	28.3	56.9	85.2
Outlet pressure limit Conventional design	19.7	19.7	19.7	19.7	19.7	41.4
Outlet pressure limit Balanced bellows design	15.9	15.9	15.9	15.9	15.9	15.9
Body material: CF8M 1.4408			Pressure range p [bar] S/G/L			
Article numbers	5264.196[□]	5264.197[□]	5264.198[□]	5264.199[□]	5264.200[□]	5264.201[□]
Maximum set pressure	-268 to -60 °C	19.0	19.0	34.5	43.1	55.2
	-59 to -29 °C	19.0	19.0	49.7	99.3	149.0
	-28 to 38 °C	19.0	19.0	49.7	99.3	149.0
	232 °C	12.4	19.0	34.1	67.2	102.4
	427 °C	5.5	19.0	29.0	58.3	87.2
538 °C	1.4	19.0	24.1	48.3	72.4	120.7
Outlet pressure limit Conventional design	19.0	19.0	19.0	19.0	19.0	41.4
Outlet pressure limit Balanced bellows design	15.9	15.9	15.9	15.9	15.9	15.9
Body material: WC6 1.7357			Pressure range p [bar] S/G/L			
Article numbers	-	-	5267.168[□]	5267.169[□]	5267.170[□]	5267.171[□]
Maximum set pressure	427 °C	-	35.2	70.0	105.2	175.2
	538 °C	-	14.8	29.7	44.8	74.5
Outlet pressure limit Conventional design	-	-	19.7	19.7	19.7	41.4
Outlet pressure limit Balanced bellows design	-	-	15.9	15.9	15.9	15.9
Body material: LCB			Pressure range p [bar] S/G/L			
Article numbers	5263.529[□]	5263.530[□]	5263.531[□]	5263.532[□]	5263.533[□]	5263.534[□]
Maximum set pressure	-46 to 38 °C	18.4	18.4	48.0	96.0	144.1
	200 °C	13.8	18.4	42.5	85.1	127.6
	343 °C	8.4	18.4	36.4	72.8	109.2
Outlet pressure limit Conventional design	18.4	18.4	18.4	18.4	18.4	41.4
Outlet pressure limit Balanced bellows design	15.9	15.9	15.9	15.9	15.9	15.9

[□] Please add code for the required cap or lifting device. See page 13.

Remark: SA 352 Gr. LCB is not listed in the API 526. Pressure-Temperature Rating acc. to ASME B16.34 Table 2-1.3

The stated Pressure-Temperature Rating are taken from ASME B16.34 Table 2-1.3 if the maximum pressure is not limited by API 526.

Due to the extended material test certificate the LESER LCB can be applied as LCC, WCB, WCC and 1.0619 with the respective pressure-temperature range as well.

Type 526

Orifice J

Pressure temperature ratings

US units

Valve size	2 J 3	2 J 3	3 J 4	3 J 4	3 J 4	3 J 4
Flange rating class <small>Inlet x Outlet</small>	150 x 150	300L x 150	300 x 150	600 x 150	900 x 150	1500 x 300
Actual Orifice diameter d_0 [inch]	1.42	1.42	1.42	1.42	1.42	1.42
Actual Orifice areat A_0 [inch ²]	1.58	1.58	1.58	1.58	1.58	1.58
Minimum set pressure [psig] S/G/L	3.0	3.0	12.0	12.0	12.0	12.0
Minimum set pressure [psig] S/G	50.8	50.8	50.8	50.8	50.8	50.8
Balanced bellows Inconel [psig] L	72.5	72.5	72.5	72.5	72.5	72.5
Body material: WCB 1.0619			Pressure range p [psig] S/G/L			
Article numbers	5262.162^o	5262.163^o	5262.164^o	5262.165^o	5262.166^o	5262.167^o
Maximum set pressure	-20 to 100 °F	285	285	740	1480	2700
	450 °F	185	285	615	1235	2700
	800 °F	80	285	410	825	2060
Outlet pressure limit Conventional design	285	285	285	285	285	600
Outlet pressure limit Balanced bellows design	230	230	230	230	230	230
Body material: CF8M 1.4408			Pressure range p [psig] S/G/L			
Article numbers	5264.196^o	5264.197^o	5264.198^o	5264.199^o	5264.200^o	5264.201^o
Maximum set pressure	-450 to -76 °F	275	275	500	625	800
	-75 to -21 °F	275	275	720	1440	2700
	-20 to 100 °F	275	275	720	1440	2700
	450 °F	180	275	495	975	2480
	800 °F	80	275	420	845	2110
1000 °F	20	275	350	700	1050	1750
Outlet pressure limit Conventional design	275	275	275	275	275	600
Outlet pressure limit Balanced bellows design	230	230	230	230	230	230
Body material: WC6 1.7357			Pressure range p [psig] S/G/L			
Article numbers	-	-	5267.168^o	5267.169^o	5267.170^o	5267.171^o
Maximum set pressure	800 °F	-	510	1015	1525	2540
	1000 °F	-	215	430	650	1080
Outlet pressure limit Conventional design	-	-	285	285	285	600
Outlet pressure limit Balanced bellows design	-	-	230	230	230	230
Body material: LCB			Pressure range p [psig] S/G/L			
Article numbers	5263.529^o	5263.530^o	5263.531^o	5263.532^o	5263.533^o	5263.534^o
Maximum set pressure	-50 to 100 °F	265	265	695	1395	2700
	400 °F	200	265	615	1230	2700
	650 °F	125	265	535	1065	2665
Outlet pressure limit Conventional design	265	265	265	265	265	600
Outlet pressure limit Balanced bellows design	230	230	230	230	230	230

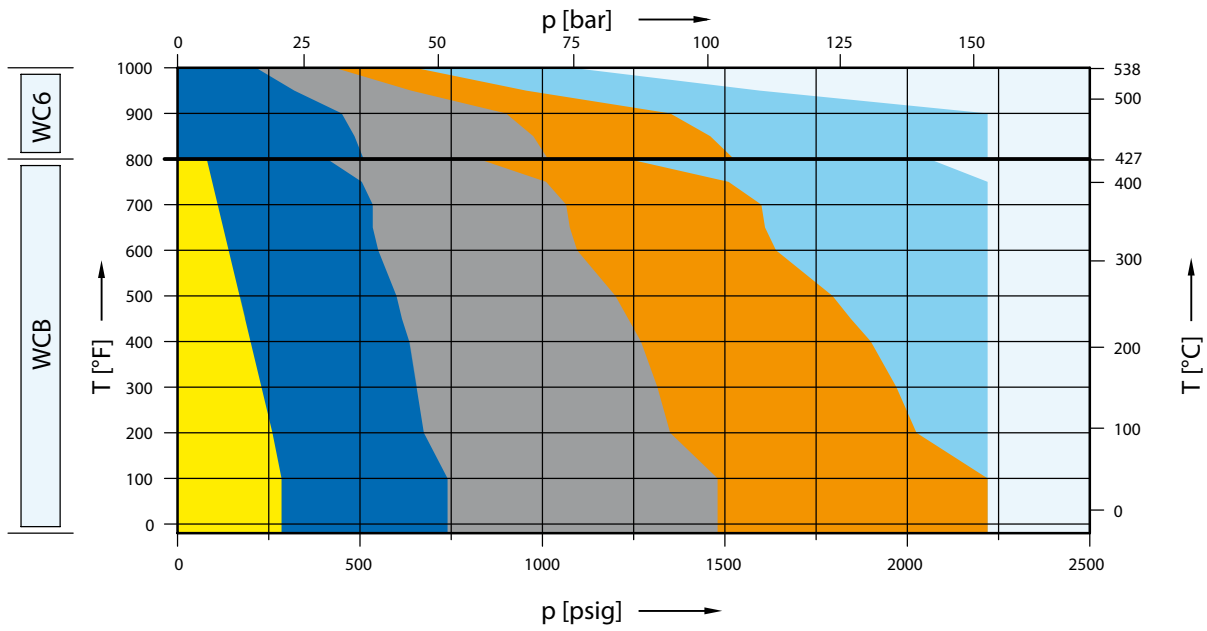
^o) Please add code for the required cap or lifting device. See page 13.

Remark: SA 352 Gr. LCB is not listed in the API 526. Pressure-Temperature Rating acc. to ASME B16.34 Table 2-1.3
The stated Pressure-Temperature Rating are taken from ASME B16.34 Table 2-1.3 if the maximum pressure is not limited by API 526.

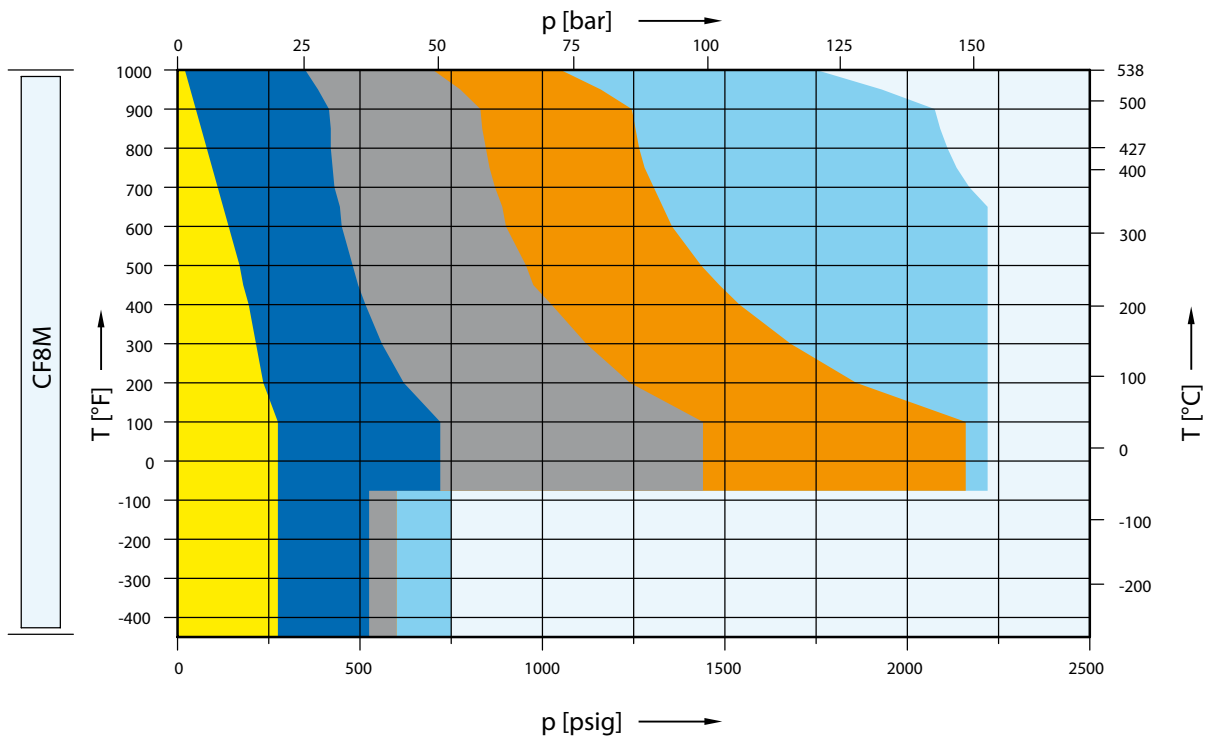
Due to the extended material test certificate the LESER LCB can be applied as LCC, WCB, WCC and 1.0619 with the respective pressure-temperature range as well.

Type 526 Orifice K Selection charts

	150 x 150	300L x 150	300 x 150	600 x 150	900 x 150	1500 x 300	2500 x 300
WCB	5262.202X	See 300 x 150	5262.203X	5262.204X	5262.205X	5262.206X	-
WC6	-	See 300 x 150	5267.207X	5267.208X	5267.209X	5267.210X	-



	150 x 150	300L x 150	300 x 150	600 x 150	900 x 150	1500 x 300	2500 x 300
CF8M	5264.211X	See 300 x 150	5264.212X	5264.213X	5264.214X	5264.215X	-



K

Type 526

Orifice K

Article numbers, dimensions and weights

Article numbers

Valve size	3 K 4	3 K 4	3 K 4	3 K 4	3 K 6	3 K 6
Flange rating class <small>Inlet x Outlet</small>	150 x 150	300L x 150	300 x 150	600 x 150	900 x 150	1500 x 300
Actual Orifice diameter d_0 [mm]	43.0	43.0	43.0	43.0	43.0	43.0
Actual Orifice area A_0 [mm ²]	1452	1452	1452	1452	1452	1452
Body material						
WCB 1.0619	Art. No. 5262.202[□]	Use 3 K 4 300 x 150	5262.203[□]	5262.204[□]	5262.205[□]	5262.206[□]
CF8M 1.4408	Art. No. 5264.211[□]		5264.212[□]	5264.213[□]	5264.214[□]	5264.215[□]
WC6 1.7357	Art. No. -		5267.207[□]	5267.208[□]	5267.209[□]	5267.210[□]
LCB	Art. No. 5263.535[□]		5263.536[□]	5263.537[□]	5263.538[□]	5263.539[□]

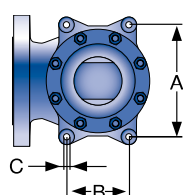
[□] Please add code for the required cap or lifting device. See below.

Dimensions and weights

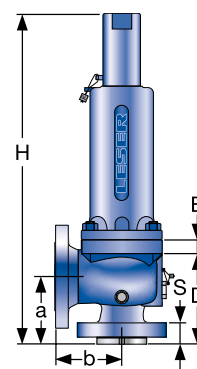
Metric units				Other	WC6			
Weight [kg]		70.1	Use 3 K 4 300 x 150	70.1	77.7	70.1	127.5	127.5
	with bellows	75.7		75.7	83.2	75.7	134.1	134.1
Center to face [mm]	Inlet a	156		156	184	156	198	197
	Outlet b	162		162	181	162	216	216
	s	49		49	49	49	67	65
Height (H4) [mm]	Standard H max.	758		758	786	758	880	879
	Bellows H max.	796		796	824	796	880	879
Support brackets [mm]	A	238		238	238	238	278	278
	B	140		140	140	140	160	160
	C	Ø 18		Ø 18	Ø 18	Ø 18	Ø 18	Ø 18
	D	206	206	234	206	288	287	
	E	25	25	25	25	25	25	
US units								
Weight [lbs]		154.6	Use 3 K 4 300 x 150	154.6	171.3	154.6	281.1	281.1
	with bellows	166.9		166.9	183.5	166.9	295.7	295.7
Center to face [inch]	Inlet a	6 1/8		6 1/8	7 1/4	6 1/8	7 13/16	7 3/4
	Outlet b	6 3/8		6 3/8	7 1/8	6 3/8	8 1/2	8 1/2
	s	1 15/16		1 15/16	1 15/16	1 15/16	2 9/16	2 9/16
Height (H4) [inch]	Standard H max.	29 27/32		29 27/32	30 15/16	29 27/32	34 21/32	34 19/32
	Bellows H max.	31 11/32		31 11/32	32 7/16	31 11/32	34 21/32	34 19/32
Support brackets [inch]	A	9 3/8		9 3/8	9 3/8	9 3/8	10 15/16	10 15/16
	B	5 1/2		5 1/2	5 1/2	5 1/2	6 5/16	6 5/16
	C	Ø 23/32		Ø 23/32	Ø 23/32	Ø 23/32	Ø 23/32	Ø 23/32
	D	8 3/32	8 3/32	9 7/32	8 3/32	11 11/32	11 9/32	
	E	31/32	31/32	31/32	31/32	31/32	31/32	

Code for lifting device

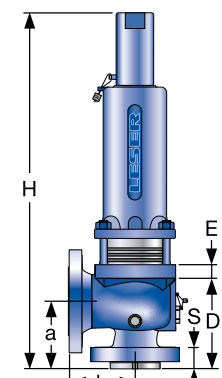
Lifting device	H2	H3	H4	H3
Bonnet	closed	closed	closed	open
WCB 1.0619, WC6 1.7357, LCB	2	3	4	5
CF8M 1.4408	2	-	4	-



Support brackets



Conventional design



Balanced bellows design

Type 526

Orifice K

Pressure temperature ratings

Metric units

Valve size	3 K 4	3 K 4	3 K 4	3 K 4	3 K 6	3 K 6	
Flange rating class <small>Inlet x Outlet</small>	150 x 150	300L x 150	300 x 150	600 x 150	900 x 150	1500 x 300	
Actual Orifice diameter d_0 [mm]	43.0	43.0	43.0	43.0	43.0	43.0	
Actual Orifice area A_0 [mm ²]	1452	1452	1452	1452	1452	1452	
Minimum set pressure [bar] S/G/L only WC6	0.3	0.3	0.3	0.3	2.3	2.3	
Minimum set pressure [bar] S/G	2.2	2.2	2.2	5.6	5.6	5.6	
Balanced bellows Inconel [bar] L	2.5	2.5	2.5	6.5	6.5	6.5	
Body material: WCB 1.0619			Pressure range p [bar] S/G/L				
Article numbers	5262.202^o	Use 3 K 4 300 x 150	5262.203^o	5262.204^o	5262.205^o	5262.206^o	
Maximum set pressure	-29 to 38 °C		19.7	51.0	102.1	153.1	153.1
	232 °C		12.8	42.4	85.2	127.2	153.1
	427 °C		5.5	28.3	56.9	85.2	142.1
Outlet pressure limit Conventional design			19.7	19.7	19.7	19.7	41.4
Outlet pressure limit Balanced bellows design		10.3	10.3	13.8	13.8	13.8	
Body material: CF8M 1.4408			Pressure range p [bar] S/G/L				
Article numbers	5264.211^o	Use 3 K 4 300 x 150	5264.212^o	5264.213^o	5264.214^o	5264.215^o	
Maximum set pressure	-268 to -60 °C		19.0	36.2	41.4	41.4	51.7
	-59 to -29 °C		19.0	49.7	99.3	149.0	153.1
	-28 to 38 °C		19.0	49.7	99.3	149.0	153.1
	232 °C		12.4	34.1	67.2	102.4	153.1
	427 °C		5.5	29.0	58.3	87.2	145.5
	538 °C	1.4	24.1	48.3	72.4	120.7	
Outlet pressure limit Conventional design		19.0	19.0	19.0	19.0	41.4	
Outlet pressure limit Balanced bellows design		10.3	10.3	13.8	13.8	13.8	
Body material: WC6 1.7357			Pressure range p [bar] S/G/L				
Article numbers	-	Use 3 K 4 300 x 150	5267.207^o	5267.208^o	5267.209^o	5267.210^o	
Maximum set pressure	427 °C		-	35.2	70.0	105.2	153.1
	538 °C		-	14.8	29.7	44.8	74.5
Outlet pressure limit Conventional design			-	19.7	19.7	19.7	41.4
Outlet pressure limit Balanced bellows design		-	10.3	13.8	13.8	13.8	
Body material: LCB			Pressure range p [bar] S/G/L				
Article numbers	5263.535^o	Use 3 K 4 300 x 150	5263.536^o	5263.537^o	5263.538^o	5263.539^o	
Maximum set pressure	-46 to 38 °C		18.4	48.0	96.0	144.1	153.1
	200 °C		13.8	42.5	85.1	127.6	153.1
	343 °C		8.4	36.4	72.8	109.2	153.1
Outlet pressure limit Conventional design		18.4	18.4	18.4	18.4	41.4	
Outlet pressure limit Balanced bellows design		10.3	10.3	13.8	13.8	13.8	

^o) Please add code for the required cap or lifting device. See page 13.

Remark: SA 352 Gr. LCB is not listed in the API 526. Pressure-Temperature Rating acc. to ASME B16.34 Table 2-1.3
The stated Pressure-Temperature Rating are taken from ASME B16.34 Table 2-1.3 if the maximum pressure is not limited by API 526.

Due to the extended material test certificate the LESER LCB can be applied as LCC, WCB, WCC and 1.0619 with the respective pressure-temperature range as well.

Type 526

Orifice K

Pressure temperature ratings

US units

Valve size	3 K 4	3 K 4	3 K 4	3 K 4	3 K 6	3 K 6
Flange rating class <small>Inlet x Outlet</small>	150 x 150	300L x 150	300 x 150	600 x 150	900 x 150	1500 x 300
Actual Orifice diameter d_0 [inch]	1.69	1.69	1.69	1.69	1.69	1.69
Actual Orifice area A_0 [inch ²]	2.25	2.25	2.25	2.25	2.25	2.25
Minimum set pressure [psig] S/G/L	4.0	4.0	4.0	4.0	33.0	33.0
set pressure only WC6					4.0	4.0
Minimum set pressure [psig] S/G	31.9	31.9	31.9	81.2	81.2	81.2
Balanced bellows Inconel [psig] L	36.3	36.3	36.3	94.3	94.3	94.3
Body material: WCB 1.0619			Pressure range p [psig] S/G/L			
Article numbers	5262.202^a	Use 3 K 4 300 x 150	5262.203^a	5262.204^a	5262.205^a	5262.206^a
Maximum set pressure						
-20 to 100 °F	285		740	1480	2220	2220
450 °F	185		615	1235	1845	2220
800 °F	80		410	825	1235	2060
Outlet pressure limit						
Conventional design	285	285	285	285	600	
Outlet pressure limit						
Balanced bellows design	150	150	200	200	200	
Body material: CF8M 1.4408			Pressure range p [psig] S/G/L			
Article numbers	5264.211^a	Use 3 K 4 300 x 150	5264.212^a	5264.213^a	5264.214^a	5264.215^a
Maximum set pressure						
-450 to -76 °F	275		525	600	600	750
-75 to -21 °F	275		720	1440	2160	2220
-20 to 100 °F	275		720	1440	2160	2220
450 °F	180		495	975	1485	2220
800 °F	80		420	845	1265	2110
1000 °F	20	350	700	1050	1750	
Outlet pressure limit						
Conventional design	275	275	275	275	600	
Outlet pressure limit						
Balanced bellows design	150	150	200	200	200	
Body material: WC6 1.7357			Pressure range p [psig] S/G/L			
Article numbers	-	Use 3 K 4 300 x 150	5267.207^a	5267.208^a	5267.209^a	5267.210^a
Maximum set pressure						
800 °F	-		510	1015	1525	2220
1000 °F	-		215	430	650	1080
Outlet pressure limit						
Conventional design	-	285	285	285	600	
Outlet pressure limit						
Balanced bellows design	-	150	200	200	200	
Body material: LCB			Pressure range p [psig] S/G/L			
Article numbers	5263.535^a	Use 3 K 4 300 x 150	5263.536^a	5263.537^a	5263.538^a	5263.539^a
Maximum set pressure						
-50 to 100 °F	265		695	1395	2090	2220
400 °F	200		615	1230	1845	2220
650 °F	125		535	1065	1600	2220
Outlet pressure limit						
Conventional design	265	265	265	265	600	
Outlet pressure limit						
Balanced bellows design	150	150	200	200	200	

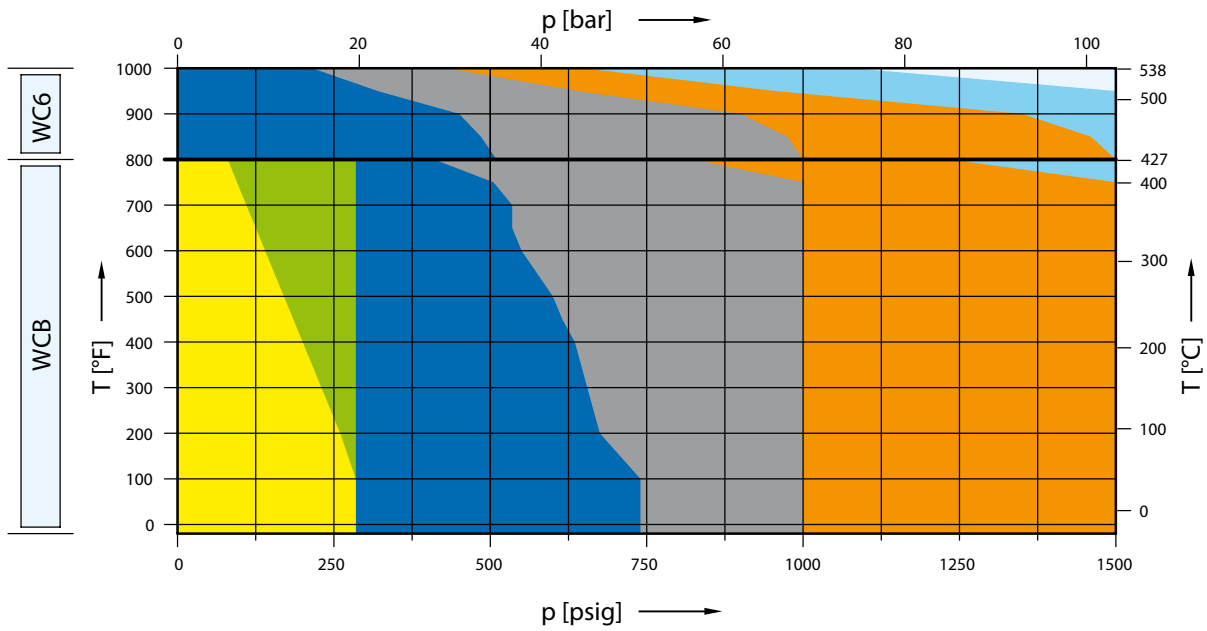
^a) Please add code for the required cap or lifting device. See page 13.

Remark: SA 352 Gr. LCB is not listed in the API 526. Pressure-Temperature Rating acc. to ASME B16.34 Table 2-1.3
The stated Pressure-Temperature Rating are taken from ASME B16.34 Table 2-1.3 if the maximum pressure is not limited by API 526.

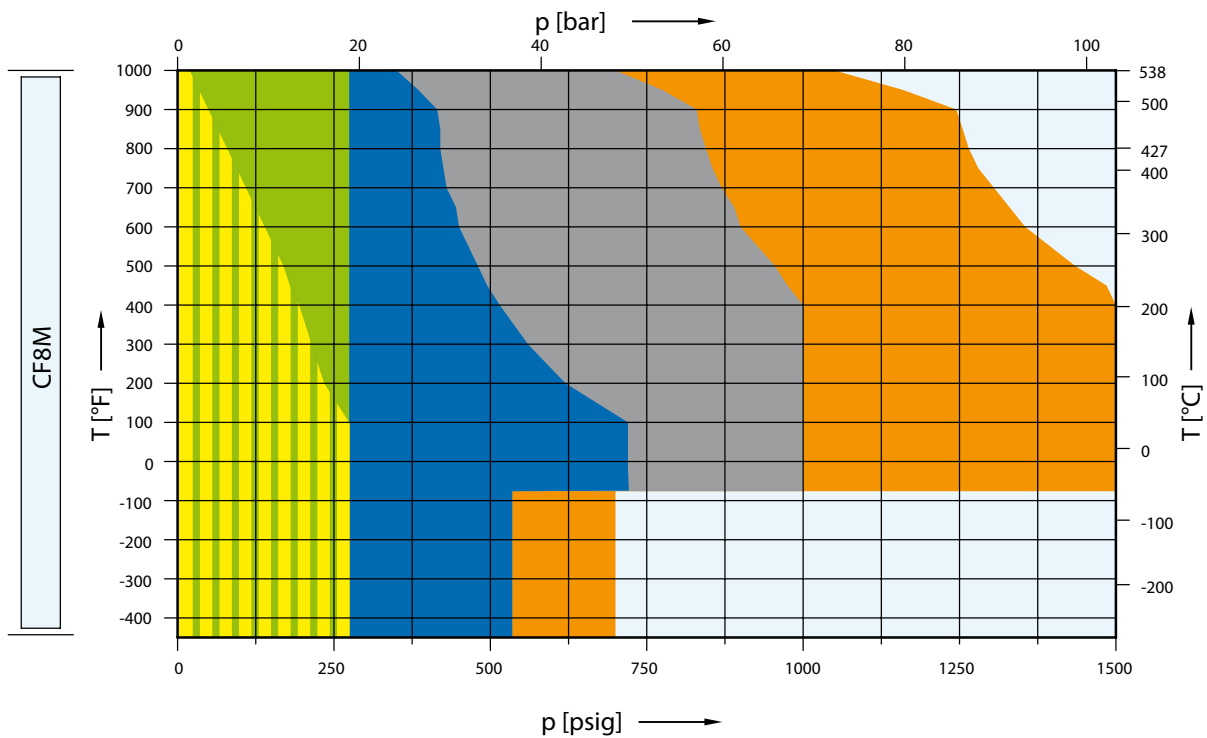
Due to the extended material test certificate the LESER LCB can be applied as LCC, WCB, WCC and 1.0619 with the respective pressure-temperature range as well.

Type 526 Orifice L Selection charts

	150 x 150	300L x 150	300 x 150	600 x 150	900 x 150	1500 x 150	2500 x 300
WCB	5262.232X	5262.233X	5262.234X	5262.235X	5262.236X	5262.237X	-
WC6	-	-	5267.238X	5267.239X	5267.240X	5267.241X	-



	150 x 150	300L x 150	300 x 150	600 x 150	900 x 150	1500 x 150	2500 x 300
CF8M	5264.242X	5264.243X	5264.244X	5264.245X	5264.246X	-	-



Type 526

Orifice L

Article numbers, dimensions and weights

Article numbers

Valve size	3 L 4	3 L 4	4 L 6	4 L 6	4 L 6	4 L 6
Flange rating class ^{Inlet x Outlet}	150 x 150	300L x 150	300 x 150	600 x 150	900 x 150	1500 x 150
Actual Orifice diameter d_0 [mm]	53.5	53.5	53.5	53.5	53.5	53.5
Actual Orifice area A_0 [mm ²]	2248	2248	2248	2248	2248	2248
Body material						
WCB 1.0619	Art. No. 5262.232^o	5262.233^o	5262.234^o	5262.235^o	5262.236^o	5262.237^o
CF8M 1.4408	Art. No. 5264.242^o	5264.243^o	5264.244^o	5264.245^o	5264.246^o	-
WC6 1.7357	Art. No. -	-	5267.238^o	5267.239^o	5267.240^o	5267.241^o
LCB	Art. No. 5263.540^o	5263.541^o	5263.542^o	5263.543^o	5263.544^o	5263.545^o

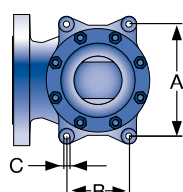
^o Please add code for the required cap or lifting device. See below.

Dimensions and weights

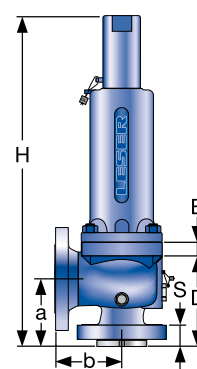
Metric units							
Weight [kg]		70.1	70.1	112.2	122	134.1	127.5
	with bellows	75.7	75.7	118.8	128.6	140.7	134.1
Center to face [mm]	Inlet a	156	156	179	179	197	197
	Outlet b	165	165	181	203	222	222
	s	49	49	49	57	72	72
Height (H4) [mm]	Standard H max.	758	758	853	853	871	871
	Bellows H max.	796	796	886	886	904	904
Support brackets [mm]	A	238	238	278	278	278	278
	B	140	140	160	160	160	160
	C	Ø 18	Ø 18	Ø 18	Ø 18	Ø 18	Ø 18
	D	206	206	262	262	280	280
	E	25	25	25	25	25	25
US units							
Weight [lbs]		154.6	154.6	247.4	269	295.7	281.1
	with bellows	166.9	166.9	262	283.6	310.2	295.7
Center to face [inch]	Inlet a	6 1/8	6 1/8	7 1/16	7 1/16	7 3/4	7 3/4
	Outlet b	6 1/2	6 1/2	7 1/8	8	8 3/4	8 3/4
	s	1 15/16	1 15/16	1 15/16	2 1/4	2 3/4	2 3/4
Height (H4) [inch]	Standard H max.	29 27/32	29 27/32	33 19/32	33 19/32	34 9/32	34 9/32
	Bellows H max.	31 11/32	31 11/32	34 7/8	34 7/8	35 19/32	35 19/32
Support brackets [inch]	A	9 3/8	9 3/8	10 15/16	10 15/16	10 15/16	10 15/16
	B	5 1/2	5 1/2	6 5/16	6 5/16	6 5/16	6 5/16
	C	Ø 23/32	Ø 23/32	Ø 23/32	Ø 23/32	Ø 23/32	Ø 23/32
	D	8 3/32	8 3/32	10 15/16	10 15/16	11	11
	E	31/32	31/32	31/32	31/32	31/32	31/32

^o Code for lifting device

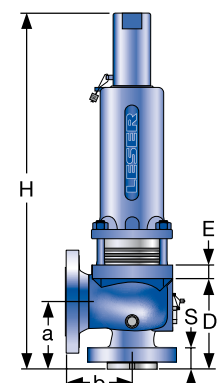
Lifting device	H2	H3	H4	H3
Bonnet	closed	closed	closed	open
WCB 1.0619, WC6 1.7357, LCB	2	3	4	5
CF8M 1.4408	2	-	4	-



Support brackets



Conventional design



Balanced bellows design

Type 526

Orifice L

Pressure temperature ratings

Metric units

Valve size	3 L 4	3 L 4	4 L 6	4 L 6	4 L 6	4 L 6
Flange rating class <small>Inlet x Outlet</small>	150 x 150	300L x 150	300 x 150	600 x 150	900 x 150	1500 x 150
Actual Orifice diameter d_0 [mm]	53.5	53.5	53.5	53.5	53.5	53.5
Actual Orifice area A_0 [mm ²]	2248	2248	2248	2248	2248	2248
Minimum set pressure [bar] S/G/L	0.3	0.3	0.2	0.2	0.2	0.2
Minimum set pressure [bar] S/G	3.5	3.5	3.5	3.5	3.5	3.5
Balanced bellows Inconel [bar] L	3.5	3.5	6.0	6.0	6.0	6.0
Body material: WCB 1.0619			Pressure range p [bar] S/G/L			
Article numbers	5262.232[□]	5262.233[□]	5262.234[□]	5262.235[□]	5262.236[□]	5262.237[□]
Maximum set pressure	-29 to 38 °C	19.7	19.7	51.0	69.0	103.4
	232 °C	12.8	19.7	42.4	69.0	103.4
	427 °C	5.5	19.7	28.3	56.9	85.2
Outlet pressure limit Conventional design	19.7	19.7	19.7	19.7	19.7	19.7
Outlet pressure limit Balanced bellows design	6.9	6.9	11.7	11.7	11.7	11.7
Body material: CF8M 1.4408			Pressure range p [bar] S/G/L			
Article numbers	5264.242[□]	5264.243[□]	5264.244[□]	5264.245[□]	5264.246[□]	-
Maximum set pressure	-268 to -60 °C	19.0	19.0	36.9	36.9	48.3
	-59 to -29 °C	19.0	19.0	49.7	69.0	103.4
	-28 to 38 °C	19.0	19.0	49.7	69.0	103.4
	232 °C	12.4	19.0	34.1	67.2	102.4
	427 °C	5.5	19.0	29.0	58.3	87.2
	538 °C	1.4	19.0	24.1	48.3	72.4
Outlet pressure limit Conventional design	19.0	19.0	19.0	19.0	19.0	-
Outlet pressure limit Balanced bellows design	6.9	6.9	11.7	11.7	11.7	-
Body material: WC6 1.7357			Pressure range p [bar] S/G/L			
Article numbers	-	-	5267.238[□]	5267.239[□]	5267.240[□]	5267.241[□]
Maximum set pressure	427 °C	-	35.2	69.0	103.4	103.4
	538 °C	-	14.8	29.7	44.8	74.5
Outlet pressure limit Conventional design	-	-	19.7	19.7	19.7	19.7
Outlet pressure limit Balanced bellows design	-	-	11.7	11.7	11.7	11.7
Body material: LCB			Pressure range p [bar] S/G/L			
Article numbers	5263.540[□]	5263.541[□]	5263.542[□]	5263.543[□]	5263.544[□]	5263.545[□]
Maximum set pressure	-46 to 38 °C	18.4	18.4	48.0	69.0	103.4
	200 °C	13.8	18.4	42.5	69.0	103.4
	343 °C	8.4	18.4	36.4	69.0	103.4
Outlet pressure limit Conventional design	18.4	18.4	18.4	18.4	18.4	18.4
Outlet pressure limit Balanced bellows design	6.9	6.9	11.7	11.7	11.7	11.7

[□] Please add code for the required cap or lifting device. See page 13.

Remark: SA 352 Gr. LCB is not listed in the API 526. Pressure-Temperature Rating acc. to ASME B16.34 Table 2-1.3
The stated Pressure-Temperature Rating are taken from ASME B16.34 Table 2-1.3 if the maximum pressure is not limited by API 526.

Due to the extended material test certificate the LESER LCB can be applied as LCC, WCB, WCC and 1.0619 with the respective pressure-temperature range as well.

Type 526

Orifice L

Pressure temperature ratings

US units

Valve size	3 L 4	3 L 4	4 L 6	4 L 6	4 L 6	4 L 6
Flange rating class <small>Inlet x Outlet</small>	150 x 150	300L x 150	300 x 150	600 x 150	900 x 150	1500 x 150
Actual Orifice diameter d_0 [inch]	2.11	2.11	2.11	2.11	2.11	2.11
Actual Orifice area A_0 [inch ²]	3.48	3.48	3.48	3.48	3.48	3.48
Minimum set pressure [psig] S/G/L	4.0	4.0	3.0	3.0	3.0	3.0
Minimum set pressure [psig] S/G	50.8	50.8	50.8	50.8	50.8	50.8
Balanced bellows Inconel [psig] L	50.8	50.8	87.0	87.0	87.0	87.0
Body material: WCB 1.0619			Pressure range p [psig] S/G/L			
Article numbers	5262.232^o	5262.233^o	5262.234^o	5262.235^o	5262.236^o	5262.237^o
Maximum set pressure	-20 to 100 °F	285	285	740	1000	1500
	450 °F	185	285	615	1000	1500
	800 °F	80	285	410	825	1235
Outlet pressure limit Conventional design	285	285	285	285	285	285
Outlet pressure limit Balanced bellows design	100	100	170	170	170	170
Body material: CF8M 1.4408			Pressure range p [psig] S/G/L			
Article numbers	5264.242^o	5264.243^o	5264.244^o	5264.245^o	5264.246^o	-
Maximum set pressure	-450 to -76 °F	275	275	535	535	700
	-75 to -21 °F	275	275	720	1000	1500
	-20 to 100 °F	275	275	720	1000	1500
	450 °F	180	275	495	975	1485
	800 °F	80	275	420	845	1265
	1000 °F	20	275	350	700	1050
Outlet pressure limit Conventional design	275	275	275	275	275	-
Outlet pressure limit Balanced bellows design	100	100	170	170	170	-
Body material: WC6 1.7357			Pressure range p [psig] S/G/L			
Article numbers	-	-	5267.238^o	5267.239^o	5267.240^o	5267.241^o
Maximum set pressure	800 °F	-	510	1000	1500	1500
	1000 °F	-	215	430	650	1080
Outlet pressure limit Conventional design	-	-	285	285	285	285
Outlet pressure limit Balanced bellows design	-	-	170	170	170	170
Body material: LCB			Pressure range p [psig] S/G/L			
Article numbers	5263.540^o	5263.541^o	5263.542^o	5263.543^o	5263.544^o	5263.545^o
Maximum set pressure	-50 to 100 °F	265	265	695	1000	1500
	400 °F	200	265	615	1000	1500
	650 °F	125	265	535	1000	1500
Outlet pressure limit Conventional design	265	265	265	265	265	265
Outlet pressure limit Balanced bellows design	100	100	170	170	170	170

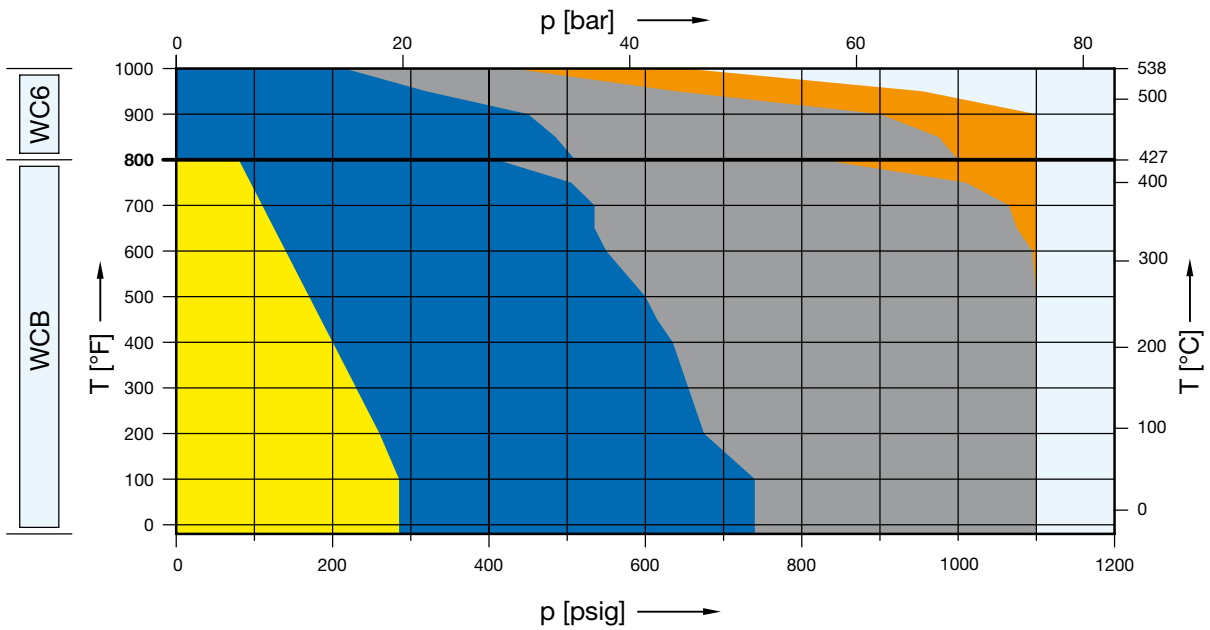
^o) Please add code for the required cap or lifting device. See page 13.

Remark: SA 352 Gr. LCB is not listed in the API 526. Pressure-Temperature Rating acc. to ASME B16.34 Table 2-1.3
The stated Pressure-Temperature Rating are taken from ASME B16.34 Table 2-1.3 if the maximum pressure is not limited by API 526.

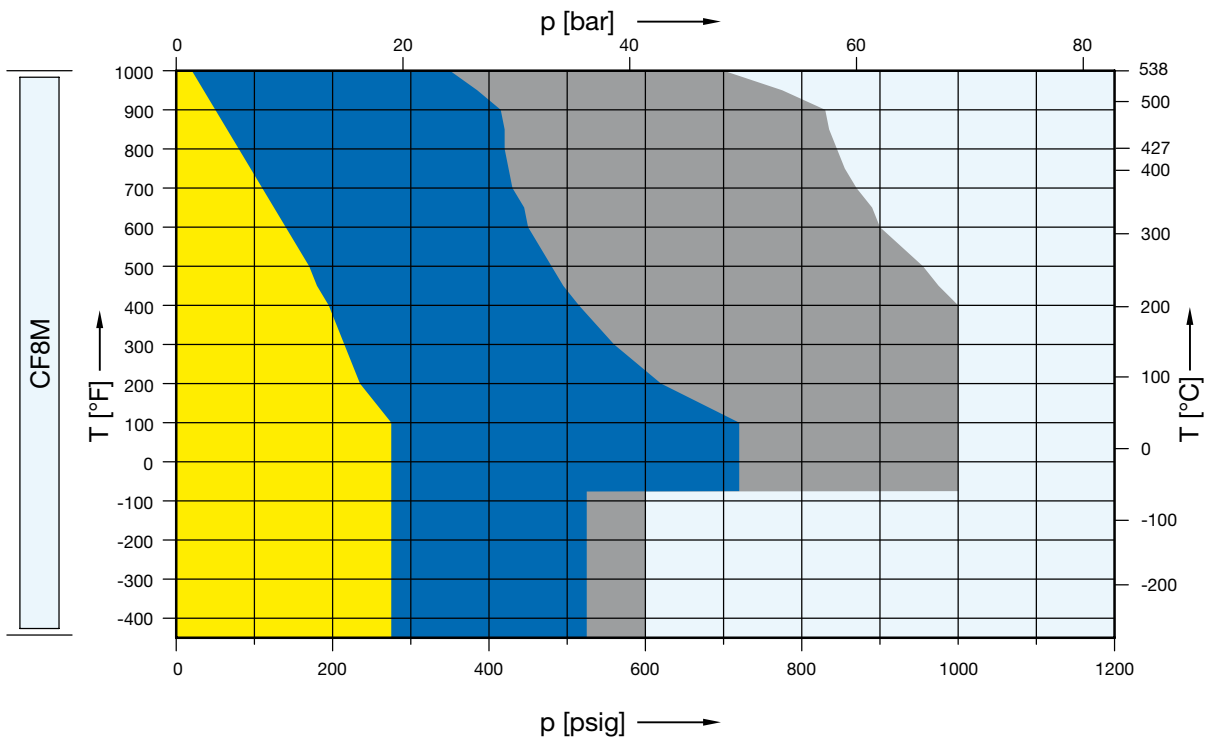
Due to the extended material test certificate the LESER LCB can be applied as LCC, WCB, WCC and 1.0619 with the respective pressure-temperature range as well.

Type 526
Orifice M
 Selection charts

	150 x 150	300L x 150	300 x 150	600 x 150	900 x 150	1500 x 150	2500 x 300
WCB	5262.580X	See 300 x 150	5262.581X	5262.582X	5262.583X	-	-
WC6	-	See 300 x 150	5267.584X	5267.585X	5267.586X	-	-



	150 x 150	300L x 150	300 x 150	600 x 150	900 x 150	1500 x 150	2500 x 300
CF8M	5264.587X	See 300 x 150	5264.588X	5264.589X	-	-	-



M

Type 526

Orifice M

Article numbers, dimensions and weights

Article numbers

Valve size	4 M 6	4 M 6	4 M 6	4 M 6	4 M 6
Flange rating class <small>Inlet x Outlet</small>	150 x 150	300L x 150	300 x 150	600 x 150	900 x 150
Actual Orifice diameter d_0 [mm]	60.3	60.3	60.3	60.3	60.3
Actual Orifice area A_0 [mm ²]	2856	2856	2856	2856	2856
Body material					
WCB 1.0619	Art. No. 5262.580^a	Use 4 M 6 300 x 150	5262.581^a	5262.582^a	5262.583^a
CF8M 1.4408	Art. No. 5264.587^a		5264.588^a	5264.589^a	-
WC6 1.7357	Art. No. -		5267.584^a	5267.585^a	5267.586^a
LCB	Art. No. 5263.546^a		5263.547^a	5263.548^a	5263.549^a

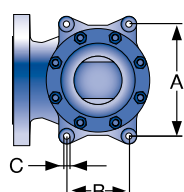
^a Please add code for the required cap or lifting device. See below.

Dimensions and weights

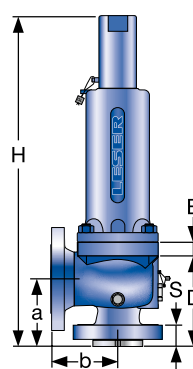
Metric units						
Weight [kg]		112.1	Use 4 M 6 300 x 150	112.1	122	134.1
	with bellows	118.7		118.7	128.6	140.7
Center to face [mm]	Inlet a	178		178	178	197
	Outlet b	184		184	203	222
	s	48		48	56	72
Height (H4) [mm]	Standard H max.	852		852	852	871
	Bellows H max.	885	885	885	904	
Support brackets [mm]	A	278	278	278	278	
	B	160	160	160	160	
	C	Ø 18	Ø 18	Ø 18	Ø 18	
	D	260	260	260	280	
	E	25	25	25	25	
US units						
Weight [lbs]		247.2	Use 4 M 6 300 x 150	247.2	269	295.7
	with bellows	261.7		261.7	283.6	310.2
Center to face [inch]	Inlet a	7		7	7	7 ³ / ₄
	Outlet b	7 ¹ / ₄		7 ¹ / ₄	8	8 ³ / ₄
	s	1 ⁷ / ₈		1 ⁷ / ₈	2 ³ / ₁₆	2 ³ / ₄
Height (H4) [inch]	Standard H max.	33 ¹⁷ / ₃₂		33 ¹⁷ / ₃₂	33 ¹⁷ / ₃₂	33 ¹⁷ / ₃₂
	Bellows H max.	34 ²⁷ / ₃₂	34 ²⁷ / ₃₂	34 ²⁷ / ₃₂	34 ²⁷ / ₃₂	
Support brackets [inch]	A	10 ¹⁵ / ₁₆	10 ¹⁵ / ₁₆	10 ¹⁵ / ₁₆	10 ¹⁵ / ₁₆	
	B	6 ⁵ / ₁₆	6 ⁵ / ₁₆	6 ⁵ / ₁₆	6 ⁵ / ₁₆	
	C	Ø ²³ / ₃₂	Ø ²³ / ₃₂	Ø ²³ / ₃₂	Ø ²³ / ₃₂	
	D	10 ¹ / ₄	10 ¹ / ₄	10 ¹ / ₄	11	
	E	³¹ / ₃₂	³¹ / ₃₂	³¹ / ₃₂	³¹ / ₃₂	

^a Code for lifting device

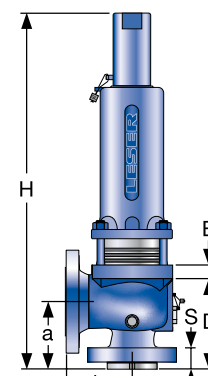
Lifting device	H2	H3	H4	H3
Bonnet	closed	closed	closed	open
WCB 1.0619, WC6 1.7357, LCB	2	3	4	5
CF8M 1.4408	2	-	4	-



Support brackets



Conventional design



Balanced bellows design

Type 526

Orifice M

Pressure temperature ratings

Metric units

Valve size	4 M 6	4 M 6	4 M 6	4 M 6	4 M 6	
Flange rating class <small>Inlet x Outlet</small>	150 x 150	300L x 150	300 x 150	600 x 150	900 x 150	
Actual Orifice diameter d_0 [mm]	60.3	60.3	60.3	60.3	60.3	
Actual Orifice area A_0 [mm ²]	2846	2846	2846	2846	2846	
Minimum set pressure [bar] S/G/L	0.2	0.2	0.2	0.2	0.2	
Minimum set pressure [bar] S/G	2.6	2.6	2.6	6.3	10.5	
Balanced bellows Inconel [bar] L	2.2	2.2	2.2	10.5	10.5	
Body material: WCB 1.0619		Pressure range p [bar] S/G/L				
Article numbers	5262.580[□]	Use 4 M 6 300 x 150	5262.581[□]	5262.582[□]	5262.583[□]	
Maximum set pressure	-29 to 38 °C		19.7	51.0	75.9	75.9
	232 °C		12.8	42.4	75.9	75.9
	427 °C		5.5	28.3	56.9	75.9
Outlet pressure limit Conventional design	19.7		19.7	19.7	19.7	19.7
Outlet pressure limit Balanced bellows design	5.5	11.0	11.0	11.0	11.0	
Body material: CF8M 1.4408		Pressure range p [bar] S/G/L				
Article numbers	5264.587[□]	Use 4 M 6 300 x 150	5264.588[□]	5264.589[□]	-	
Maximum set pressure	-268 to -60 °C		19.0	36.2	41.4	-
	-59 to -29 °C		19.0	49.7	69.0	-
	-28 to 38 °C		19.0	49.7	69.0	-
	232 °C		12.4	34.1	67.2	-
	427 °C		5.5	29.0	58.3	-
538 °C	1.4	24.1	48.3	-		
Outlet pressure limit Conventional design	19.0	19.0	19.0	19.0	-	
Outlet pressure limit Balanced bellows design	5.5	11.0	11.0	11.0	-	
Body material: WC6 1.7357		Pressure range p [bar] S/G/L				
Article numbers	-	Use 4 M 6 300 x 150	5267.584[□]	5267.585[□]	5267.586[□]	
Maximum set pressure	427 °C		-	35.2	69.0	75.8
	538 °C		-	14.8	29.7	44.8
Outlet pressure limit Conventional design	-		19.7	19.7	19.7	19.7
Outlet pressure limit Balanced bellows design	-		11.0	11.0	11.0	11.0
Body material: LCB		Pressure range p [bar] S/G/L				
Article numbers	5263.546[□]	Use 4 M 6 300 x 150	5263.547[□]	5263.548[□]	5263.549[□]	
Maximum set pressure	-46 to 38 °C		18.4	48.0	75.9	75.9
	200 °C		13.8	42.5	75.9	75.9
	343 °C		8.4	36.4	72.8	75.9
Outlet pressure limit Conventional design	18.4		18.4	18.4	18.4	18.4
Outlet pressure limit Balanced bellows design	5.5	11.0	11.0	11.0	11.0	

[□] Please add code for the required cap or lifting device. See page 13.

Remark: SA 352 Gr. LCB is not listed in the API 526. Pressure-Temperature Rating acc. to ASME B16.34 Table 2-1.3
The stated Pressure-Temperature Rating are taken from ASME B16.34 Table 2-1.3 if the maximum pressure is not limited by API 526.

Due to the extended material test certificate the LESER LCB can be applied as LCC, WCB, WCC and 1.0619 with the respective pressure-temperature range as well.

Type 526

Orifice M

Pressure temperature ratings

US units

Valve size	4 M 6	4 M 6	4 M 6	4 M 6	4 M 6	
Flange rating class <small>Inlet x Outlet</small>	150 x 150	300L x 150	300 x 150	600 x 150	900 x 150	
Actual Orifice diameter d_0 [inch]	2.37	2.37	2.37	2.37	2.37	
Actual Orifice area A_0 [inch ²]	4.43	4.43	4.43	4.43	4.43	
Minimum set pressure [psig] S/G/L	3.0	3.0	3.0	3.0	3.0	
Minimum set pressure [psig] S/G	37.7	37.7	37.7	91.4	152.3	
Balanced bellows Inconel [psig] L	31.9	31.9	31.9	152.3	152.3	
Body material: WCB 1.0619		Pressure range p [psig] S/G/L				
Article numbers	5262.580^a	Use 4 M 6 300 x 150	5262.581^a	5262.582^a	5262.583^a	
Maximum set pressure	-20 to 100 °F		285	740	1100	1100
	450 °F		185	615	1100	1100
	800 °F		80	410	825	1100
Outlet pressure limit Conventional design	285		285	285	285	285
Outlet pressure limit Balanced bellows design	80		160	160	160	160
Body material: CF8M 1.4408		Pressure range p [psig] S/G/L				
Article numbers	5264.587^a	Use 4 M 6 300 x 150	5264.588^a	5264.589^a	-	
Maximum set pressure	-450 to -76 °F		275	525	600	-
	-75 to -21 °F		275	720	1000	-
	-20 to 100 °F		275	720	1000	-
	450 °F		180	495	975	-
	800 °F		80	420	845	-
1000 °F	20		350	700	-	
Outlet pressure limit Conventional design	275	275	275	-	-	
Outlet pressure limit Balanced bellows design	80	160	160	-	-	
Body material: WC6 1.7357		Pressure range p [psig] S/G/L				
Article numbers	-	Use 4 M 6 300 x 150	5267.584^a	5267.585^a	5267.586^a	
Maximum set pressure	800 °F		-	510	1000	1100
	1000 °F		-	215	430	650
Outlet pressure limit Conventional design	-		285	285	285	285
Outlet pressure limit Balanced bellows design	-		160	160	160	160
Body material: LCB		Pressure range p [psig] S/G/L				
Article numbers	5263.546^a	Use 4 M 6 300 x 150	5263.547^a	5263.548^a	5263.549^a	
Maximum set pressure	-50 to 100 °F		265	695	1100	1100
	400 °F		200	615	1100	1100
	650 °F		125	535	1065	1100
Outlet pressure limit Conventional design	265		265	265	265	265
Outlet pressure limit Balanced bellows design	80	160	160	160	160	

^a) Please add code for the required cap or lifting device. See page 13.

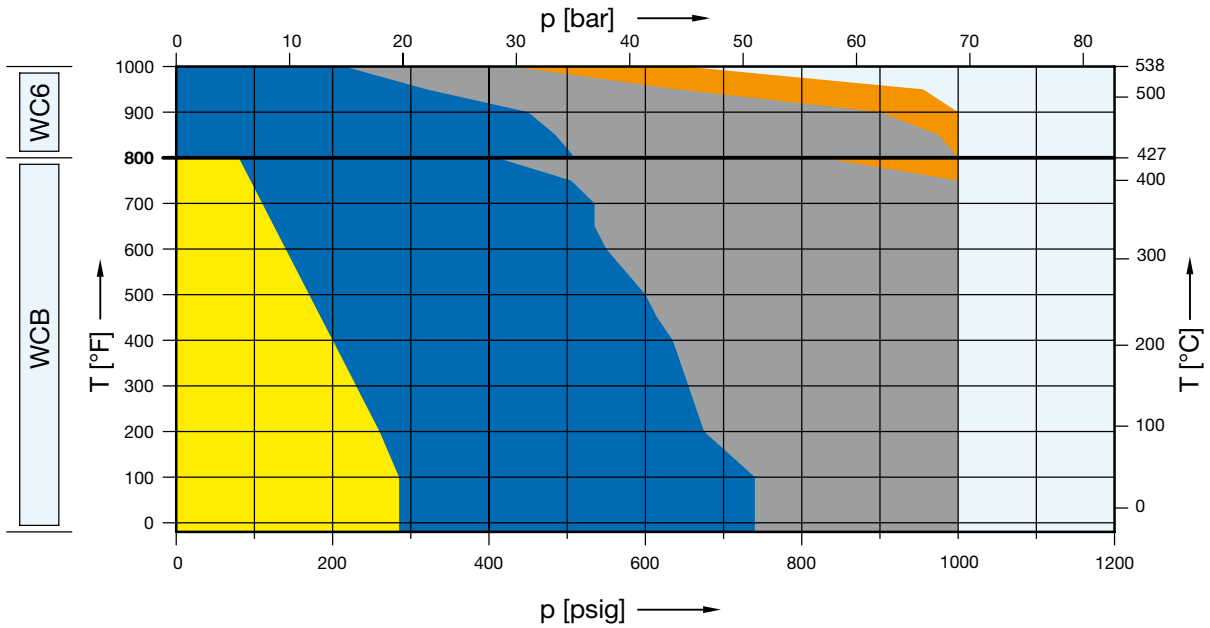
Remark: SA 352 Gr. LCB is not listed in the API 526. Pressure-Temperature Rating acc. to ASME B16.34 Table 2-1.3
The stated Pressure-Temperature Rating are taken from ASME B16.34 Table 2-1.3 if the maximum pressure is not limited by API 526.

Due to the extended material test certificate the LESER LCB can be applied as LCC, WCB, WCC and 1.0619 with the respective pressure-temperature range as well.

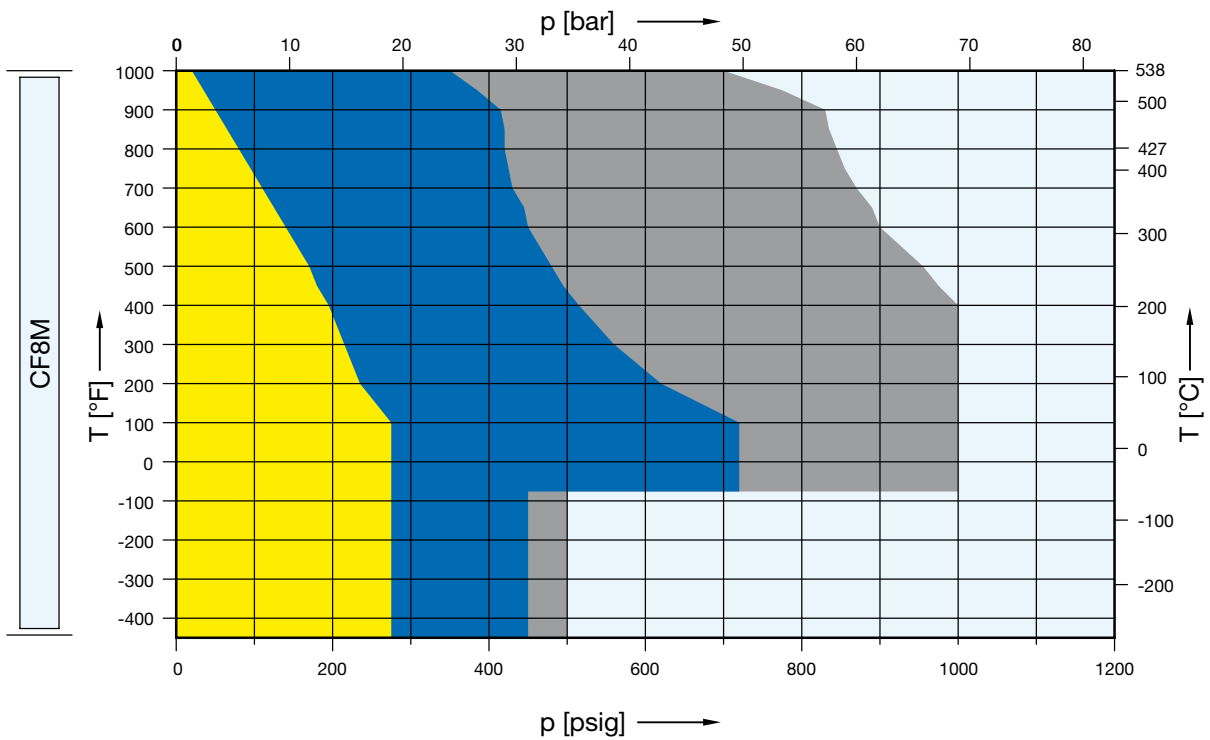


Type 526 Orifice N Selection charts

	150 x 150	300L x 150	300 x 150	600 x 150	900 x 150	1500 x 150	2500 x 300
WC6	5262.590X	See 300 x 150	5262.591X	5262.592X	5262.593X	-	-
WC6	-	See 300 x 150	5267.594X	5267.595X	5267.596X	-	-



	150 x 150	300L x 150	300 x 150	600 x 150	900 x 150	1500 x 150	2500 x 300
CF8M	5264.597X	See 300 x 150	5264.598X	5264.599X	-	-	-



Type 526

Orifice N

Article numbers, dimensions and weights

Article numbers

Valve size	4 N 6	4 N 6	4 N 6	4 N 6	4 N 6
Flange rating class <small>Inlet x Outlet</small>	150 x 150	300L x 150	300 x 150	600 x 150	900 x 150
Actual Orifice diameter d_0 [mm]	66.0	66.0	66.0	66.0	66.0
Actual Orifice area A_0 [mm ²]	3421	3421	3421	3421	3421
Body material					
WCB 1.0619	Art. No. 5262.590^a	Use 4 N 6 300 x 150	5262.591^a	5262.592^a	5262.593^a
CF8M 1.4408	Art. No. 5264.597^a		5264.598^a	5264.599^a	-
WC6 1.7357	Art. No. -		5267.594^a	5267.595^a	5267.596^a
LCB	Art. No. 5263.550^a		5263.551^a	5263.552^a	5263.553^a

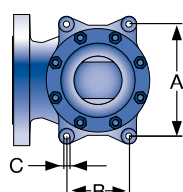
^a Please add code for the required cap or lifting device. See below.

Dimensions and weights

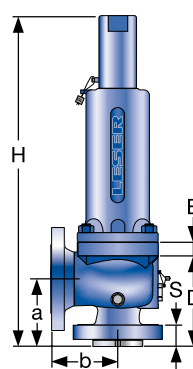
Metric units						
Weight [kg]		128.6	Use 4 N 6 300 x 150	128.6	134.1	134.1
	with bellows	135.2		135.2	140.7	140.7
Center to face [mm]	Inlet a	197		197	197	197
	Outlet b	210		210	222	222
	s	48		48	72	72
Height (H4) [mm]	Standard H max.	871		871	871	871
	Bellows H max.	904	904	904	904	
Support brackets [mm]	A	278	278	278	278	
	B	160	160	160	160	
	C	Ø 18	Ø 18	Ø 18	Ø 18	
	D	280	280	280	280	
	E	25	25	25	25	
US units						
Weight [lbs]		283.6	Use 4 N 6 300 x 150	283.6	295.7	295.7
	with bellows	298.1		298.1	310.2	310.2
Center to face [inch]	Inlet a	7 ³ / ₄		7 ³ / ₄	7 ³ / ₄	7 ³ / ₄
	Outlet b	8 ¹ / ₄		8 ¹ / ₄	8 ³ / ₄	8 ³ / ₄
	s	1 ⁷ / ₈		1 ⁷ / ₈	2 ³ / ₄	2 ³ / ₄
Height (H4) [inch]	Standard H max.	34 ⁹ / ₃₂		34 ⁹ / ₃₂	34 ⁹ / ₃₂	34 ⁹ / ₃₂
	Bellows H max.	35 ¹⁹ / ₃₂	35 ¹⁹ / ₃₂	35 ¹⁹ / ₃₂	35 ¹⁹ / ₃₂	
Support brackets [inch]	A	10 ¹⁵ / ₁₆	10 ¹⁵ / ₁₆	10 ¹⁵ / ₁₆	10 ¹⁵ / ₁₆	
	B	6 ⁵ / ₁₆	6 ⁵ / ₁₆	6 ⁵ / ₁₆	6 ⁵ / ₁₆	
	C	Ø ²³ / ₃₂	Ø ²³ / ₃₂	Ø ²³ / ₃₂	Ø ²³ / ₃₂	
	D	11	11	11	11	
	E	³¹ / ₃₂	³¹ / ₃₂	³¹ / ₃₂	³¹ / ₃₂	

^a Code for lifting device

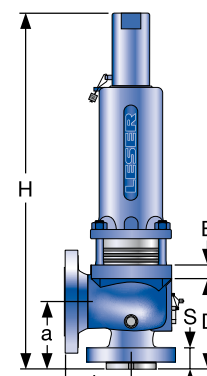
Lifting device	H2	H3	H4	H3
Bonnet	closed	closed	closed	open
WCB 1.0619, WC6 1.7357, LCB	2	3	4	5
CF8M 1.4408	2	-	4	-



Support brackets



Conventional design



Balanced bellows design

Type 526

Orifice N

Pressure temperature ratings

Metric units

Valve size	4 N 6	4 N 6	4 N 6	4 N 6	4 N 6	
Flange rating class <small>Inlet x Outlet</small>	150 x 150	300L x 150	300 x 150	600 x 150	900 x 150	
Actual Orifice diameter d_0 [mm]	66.0	66.0	66.0	66.0	66.0	
Actual Orifice area A_0 [mm ²]	3421	3421	3421	3421	3421	
Minimum set pressure [bar] S/G/L	0.2	0.2	0.2	0.2	0.2	
Minimum set pressure [bar] S/G	1.8	1.8	1.8	5.2	5.2	
Balanced bellows Inconel [bar] L	1.8	1.8	1.8	8.9	8.9	
Body material: WCB 1.0619		Pressure range p [bar] S/G/L				
Article numbers	5262.590[□]	Use 4 N 6 300 x 150	5262.591[□]	5262.592[□]	5262.593[□]	
Maximum set pressure	-29 to 38 °C		19.7	51.0	69.0	69.0
	232 °C		12.8	42.4	69.0	69.0
	427 °C		5.5	28.3	56.9	69.0
Outlet pressure limit Conventional design	19.7		19.7	19.7	19.7	19.7
Outlet pressure limit Balanced bellows design	5.5	11.0	11.0	11.0	11.0	
Body material: CF8M 1.4408		Pressure range p [bar] S/G/L				
Article numbers	5264.597[□]	Use 4 N 6 300 x 150	5264.598[□]	5264.599[□]	-	
Maximum set pressure	-268 to -60 °C		19.0	31.0	34.5	-
	-59 to -29 °C		19.0	49.7	69.0	-
	-28 to 38 °C		19.0	49.7	69.0	-
	232 °C		12.4	34.1	67.2	-
	427 °C		5.5	29.0	58.3	-
538 °C	1.4		24.1	48.3	-	
Outlet pressure limit Conventional design	19.0	19.0	19.0	-	-	
Outlet pressure limit Balanced bellows design	5.5	11.0	11.0	-	-	
Body material: WC6 1.7357		Pressure range p [bar] S/G/L				
Article numbers	-	Use 4 N 6 300 x 150	5267.594[□]	5267.595[□]	5267.596[□]	
Maximum set pressure	427 °C		-	35.2	69.0	69.0
	538 °C		-	14.8	29.7	44.8
Outlet pressure limit Conventional design	-		19.7	19.7	19.7	19.7
Outlet pressure limit Balanced bellows design	-		11.0	11.0	11.0	11.0
Body material: LCB		Pressure range p [bar] S/G/L				
Article numbers	5263.550[□]	Use 4 N 6 300 x 150	5263.551[□]	5263.552[□]	5263.553[□]	
Maximum set pressure	-46 to 38 °C		18.4	48.0	69.0	69.0
	200 °C		13.8	42.5	69.0	69.0
	343 °C		8.4	36.4	69.0	69.0
Outlet pressure limit Conventional design	18.4		18.4	18.4	18.4	18.4
Outlet pressure limit Balanced bellows design	5.5	11.0	11.0	11.0	11.0	

[□] Please add code for the required cap or lifting device. See page 13.

Remark: SA 352 Gr. LCB is not listed in the API 526. Pressure-Temperature Rating acc. to ASME B16.34 Table 2-1.3
The stated Pressure-Temperature Rating are taken from ASME B16.34 Table 2-1.3 if the maximum pressure is not limited by API 526.

Due to the extended material test certificate the LESER LCB can be applied as LCC, WCB, WCC and 1.0619 with the respective pressure-temperature range as well.

Type 526

Orifice N

Pressure temperature ratings

US units

Valve size	4 N 6	4 N 6	4 N 6	4 N 6	4 N 6	
Flange rating class <small>Inlet x Outlet</small>	150 x 150	300L x 150	300 x 150	600 x 150	900 x 150	
Actual Orifice diameter d_0 [inch]	2.60	2.60	2.60	2.60	2.60	
Actual Orifice area A_0 [inch ²]	5.30	5.30	5.30	5.30	5.30	
Minimum set pressure [psig] S/G/L	3.0	3.0	3.0	3.0	3.0	
Minimum set pressure [psig] S/G	26.1	26.1	26.1	75.4	75.4	
Balanced bellows Inconel [psig] L	26.1	26.1	26.1	129.0	129.0	
Body material: WCB 1.0619		Pressure range p [psig] S/G/L				
Article numbers	5262.590^a	Use 4 N 6 300 x 150	5262.591^a	5262.592^a	5262.593^a	
Maximum set pressure	-20 to 100 °F		285	740	1000	1000
	450 °F		185	615	1000	1000
	800 °F		80	410	825	1000
Outlet pressure limit Conventional design	285		285	285	285	285
Outlet pressure limit Balanced bellows design	80		160	160	160	160
Body material: CF8M 1.4408		Pressure range p [psig] S/G/L				
Article numbers	5264.597^a	Use 4 N 6 300 x 150	5264.598^a	5264.599^a	-	
Maximum set pressure	-450 to -76 °F		275	450	500	-
	-75 to -21 °F		275	720	1000	-
	-20 to 100 °F		275	720	1000	-
	450 °F		180	495	975	-
	800 °F		80	420	845	-
1000 °F	20		350	700	-	
Outlet pressure limit Conventional design	275	275	275	-	-	
Outlet pressure limit Balanced bellows design	80	160	160	-	-	
Body material: WC6 1.7357		Pressure range p [psig] S/G/L				
Article numbers	-	Use 4 N 6 300 x 150	5267.594^a	5267.595^a	5267.596^a	
Maximum set pressure	800 °F		-	510	1000	1000
	1000 °F		-	215	430	650
Outlet pressure limit Conventional design	-		285	285	285	285
Outlet pressure limit Balanced bellows design	-	160	160	160	160	
Body material: LCB		Pressure range p [psig] S/G/L				
Article numbers	5263.550^a	Use 4 N 6 300 x 150	5263.551^a	5263.552^a	5263.553^a	
Maximum set pressure	-50 to 100 °F		265	695	1000	1000
	400 °F		200	615	1000	1000
	650 °F		125	535	1000	1000
Outlet pressure limit Conventional design	265		265	265	265	265
Outlet pressure limit Balanced bellows design	80	160	160	160	160	

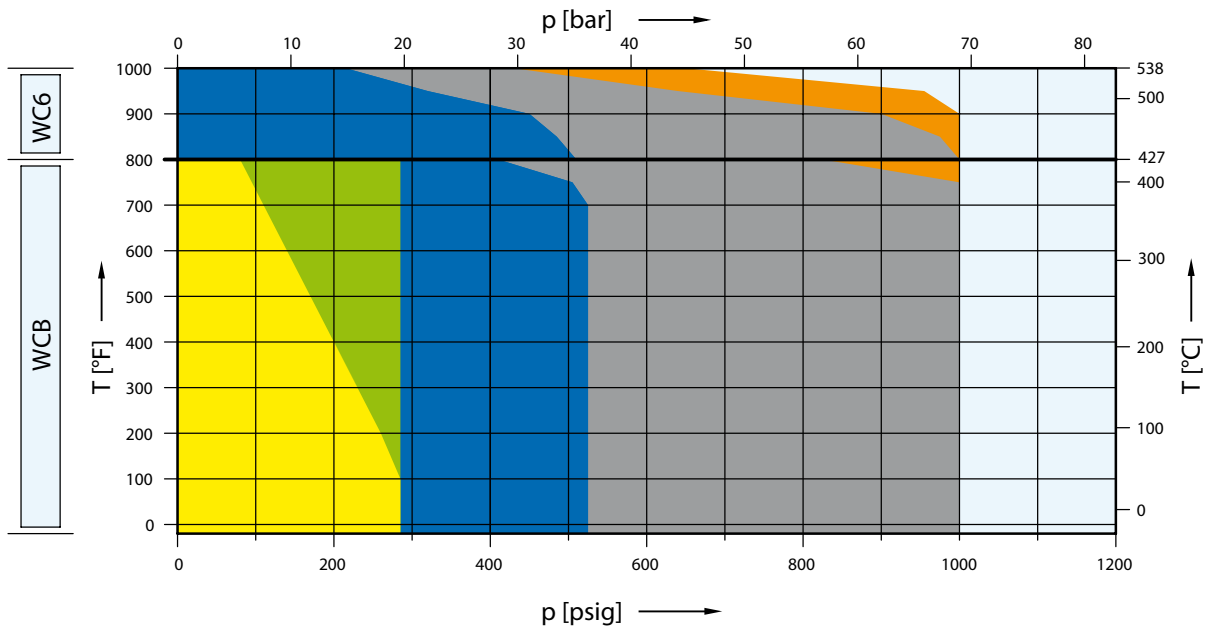
^a) Please add code for the required cap or lifting device. See page 13.

Remark: SA 352 Gr. LCB is not listed in the API 526. Pressure-Temperature Rating acc. to ASME B16.34 Table 2-1.3
The stated Pressure-Temperature Rating are taken from ASME B16.34 Table 2-1.3 if the maximum pressure is not limited by API 526.

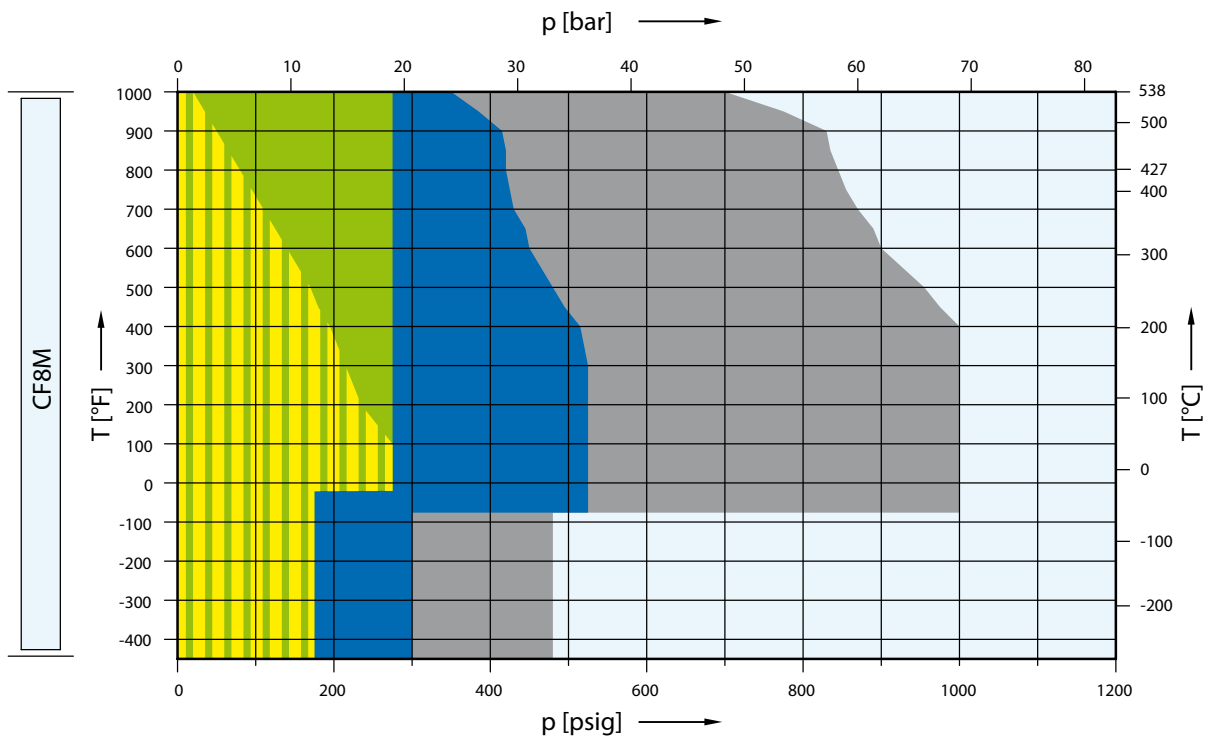
Due to the extended material test certificate the LESER LCB can be applied as LCC, WCB, WCC and 1.0619 with the respective pressure-temperature range as well.

Type 526 Orifice P Selection charts

	150 x 150	300L x 150	300 x 150	600 x 150	900 x 150	1500 x 150	2500 x 300
WCB	5262.645X	5262.646X	5262.647X	5262.648X	5262.649X	-	-
WC6	-	-	5267.650X	5267.651X	5267.652X	-	-



	150 x 150	300L x 150	300 x 150	600 x 150	900 x 150	1500 x 150	2500 x 300
CF8M	5264.653X	5264.654X	5264.655X	5264.656X	-	-	-



P

Type 526

Orifice P

Article numbers, dimensions and weights

Article numbers

Valve size	4 P 6	4 P 6	4 P 6	4 P 6	4 P 6
Flange rating class <small>Inlet x Outlet</small>	150 x 150	300L x 150	300 x 150	600 x 150	900 x 150
Actual Orifice diameter d_0 [mm]	80.0	80.0	80.0	80.0	80.0
Actual Orifice area A_0 [mm ²]	5027	5027	5027	5027	5027
Body material					
WCB 1.0619	Art. No. 5262.645^o	5262.646^o	5262.647^o	5262.648^o	5262.649^o
CF8M 1.4408	Art. No. 5264.653^o	5264.654^o	5264.655^o	5264.656^o	-
WC6 1.7357	Art. No. -	-	5267.650^o	5267.651^o	5267.652^o
LCB	Art. No. 5263.554^o	5263.555^o	5263.556^o	5263.557^o	5263.558^o

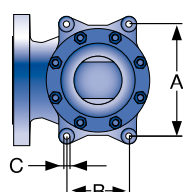
^o Please add code for the required cap or lifting device. See below.

Dimensions and weights

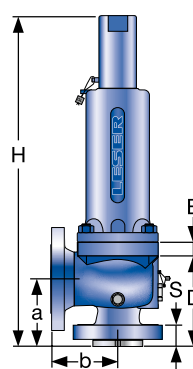
Metric units						
Weight [kg]		107.7	107.7	164	164	164
	with bellows	114.8	114.8	172	172	172
Center to face [mm]	Inlet a	181	181	225	225	225
	Outlet b	229	229	254	254	254
	s	48	48	62	62	62
Height (H4) [mm]	Standard H max.	855	855	1079	1079	1079
	Bellows H max.	888	888	1138	1138	1138
Support brackets [mm]	A	278	278	370	370	370
	B	160	160	210	210	210
	C	Ø 18	Ø 18	Ø 18	Ø 18	Ø 18
	D	262	262	306	306	306
	E	25	25	25	25	25
US units						
Weight [lbs]		237.5	237.5	361.6	361.6	361.6
	with bellows	253.1	253.1	379.2	379.2	379.2
Center to face [inch]	Inlet a	7 1/8	7 1/8	8 7/8	8 7/8	8 7/8
	Outlet b	9	9	10	10	10
	s	1 7/8	1 7/8	2 7/16	2 7/16	2 7/16
Height (H4) [inch]	Standard H max.	33 21/32	33 21/32	42 1/2	42 1/2	42 1/2
	Bellows H max.	34 31/32	34 31/32	44 13/16	44 13/16	44 13/16
Support brackets [inch]	A	10 15/16	10 15/16	14 9/16	14 9/16	14 9/16
	B	6 5/16	6 5/16	8 9/32	8 9/32	8 9/32
	C	Ø 23/32	Ø 23/32	Ø 23/32	Ø 23/32	Ø 23/32
	D	10 5/16	10 5/16	12 1/16	12 1/16	12 1/16
	E	31/32	31/32	31/32	31/32	31/32

^o Code for lifting device

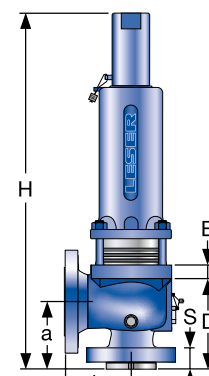
Lifting device	H2	H3	H4	H3
Bonnet	closed	closed	closed	open
WCB 1.0619, WC6 1.7357, LCB	2	3	4	5
CF8M 1.4408	2	-	4	-



Support brackets



Conventional design



Balanced bellows design

Type 526

Orifice P

Pressure temperature ratings

Metric units

Valve size	4 P 6	4 P 6	4 P 6	4 P 6	4 P 6
Flange rating class <small>Inlet x Outlet</small>	150 x 150	300L x 150	300 x 150	600 x 150	900 x 150
Actual Orifice diameter d_0 [mm]	80.0	80.0	80.0	80.0	80.0
Actual Orifice area A_0 [mm ²]	5027	5027	5027	5027	5027
Minimum set pressure [bar] S/G/L	0.12	0.12	0.25	0.25	0.25
Minimum set pressure [bar] S/G	2.3	2.3	2.3	2.3	2.3
Balanced bellows Inconel [bar] L	2.5	2.5	2.5	2.5	2.5
Body material: WCB 1.0619					
Pressure range p [bar] S/G/L					
Article numbers	5262.645[□]	5262.646[□]	5262.647[□]	5262.648[□]	5262.649[□]
Maximum set pressure	-29 to 38 °C	19.7	19.7	36.2	69.0
	232 °C	12.8	19.7	36.2	69.0
	427 °C	5.5	19.7	28.3	56.9
Outlet pressure limit Conventional design	19.7	19.7	19.7	19.7	19.7
Outlet pressure limit Balanced bellows design	5.5	5.5	10.3	10.3	10.3
Body material: CF8M 1.4408					
Pressure range p [bar] S/G/L					
Article numbers	5264.653[□]	5264.654[□]	5264.655[□]	5264.656[□]	-
Maximum set pressure	-268 to -60 °C	12.1	12.1	20.7	33.1
	-59 to -29 °C	19.0	19.0	36.2	69.0
	-28 to 38 °C	19.0	19.0	36.2	69.0
	232 °C	12.4	19.0	34.1	67.2
	427 °C	5.5	19.0	29.0	58.3
	538 °C	1.4	19.0	24.1	48.3
Outlet pressure limit Conventional design	19.0	19.0	19.0	19.0	-
Outlet pressure limit Balanced bellows design	5.5	5.5	10.3	10.3	-
Body material: WC6 1.7357					
Pressure range p [bar] S/G/L					
Article numbers	-	-	5267.650[□]	5267.651[□]	5267.652[□]
Maximum set pressure	427 °C	-	35.2	69.0	69.0
	538 °C	-	14.8	29.7	44.8
Outlet pressure limit Conventional design	-	-	19.7	19.7	19.7
Outlet pressure limit Balanced bellows design	-	-	10.3	10.3	10.3
Body material: LCB					
Pressure range p [bar] S/G/L					
Article numbers	5263.554[□]	5263.555[□]	5263.556[□]	5263.557[□]	5263.558[□]
Maximum set pressure	-46 to 38 °C	18.4	18.4	36.2	69.0
	200 °C	13.8	18.4	36.2	69.0
	343 °C	8.4	18.4	36.2	69.0
Outlet pressure limit Conventional design	18.4	18.4	18.4	18.4	18.4
Outlet pressure limit Balanced bellows design	5.5	5.5	10.3	10.3	10.3

[□] Please add code for the required cap or lifting device. See page 13.

Remark: SA 352 Gr. LCB is not listed in the API 526. Pressure-Temperature Rating acc. to ASME B16.34 Table 2-1.3
The stated Pressure-Temperature Rating are taken from ASME B16.34 Table 2-1.3 if the maximum pressure is not limited by API 526.

Due to the extended material test certificate the LESER LCB can be applied as LCC, WCB, WCC and 1.0619 with the respective pressure-temperature range as well.

Type 526

Orifice P

Pressure temperature ratings

US units

Valve size	4 P 6	4 P 6	4 P 6	4 P 6	4 P 6
Flange rating class <small>Inlet x Outlet</small>	150 x 150	300L x 150	300 x 150	600 x 150	900 x 150
Actual Orifice diameter d_0 [inch]	3.15	3.15	3.15	3.15	3.15
Actual Orifice area A_0 [inch ²]	7.79	7.79	7.79	7.79	7.79
Minimum set pressure [psig] S/G/L	2.0	2.0	4.0	4.0	4.0
Minimum set pressure [psig] S/G	33.4	33.4	33.4	33.4	33.4
Balanced bellows Inconel [psig] L	36.3	36.3	36.3	36.3	36.3
Body material: WCB 1.0619					
Pressure range p [psig] S/G/L					
Article numbers	5262.645^o	5262.646^o	5262.647^o	5262.648^o	5262.649^o
Maximum set pressure	-20 to 100 °F	285	285	525	1000
	450 °F	185	285	525	1000
	800 °F	80	285	410	825
Outlet pressure limit Conventional design	285	285	285	285	285
Outlet pressure limit Balanced bellows design	80	80	150	150	150
Body material: CF8M 1.4408					
Pressure range p [psig] S/G/L					
Article numbers	5264.653^o	5264.654^o	5264.655^o	5264.656^o	-
Maximum set pressure	-450 to -76 °F	175	175	300	480
	-75 to -21 °F	275	275	525	1000
	-20 to 100 °F	275	275	525	1000
	450 °F	180	275	495	975
	800 °F	80	275	420	845
	1000 °F	20	275	350	700
Outlet pressure limit Conventional design	275	275	275	275	-
Outlet pressure limit Balanced bellows design	80	80	150	150	-
Body material: WC6 1.7357					
Pressure range p [psig] S/G/L					
Article numbers	-	-	5267.650^o	5267.651^o	5267.652^o
Maximum set pressure	800 °F	-	510	1000	1000
	1000 °F	-	215	430	650
Outlet pressure limit Conventional design	-	-	285	285	285
Outlet pressure limit Balanced bellows design	-	-	150	150	150
Body material: LCB					
Pressure range p [psig] S/G/L					
Article numbers	5263.554^o	5263.555^o	5263.556^o	5263.557^o	5263.558^o
Maximum set pressure	-50 to 100 °F	265	265	525	1000
	400 °F	200	265	525	1000
	650 °F	125	265	525	1000
Outlet pressure limit Conventional design	265	265	265	265	265
Outlet pressure limit Balanced bellows design	80	80	150	150	150

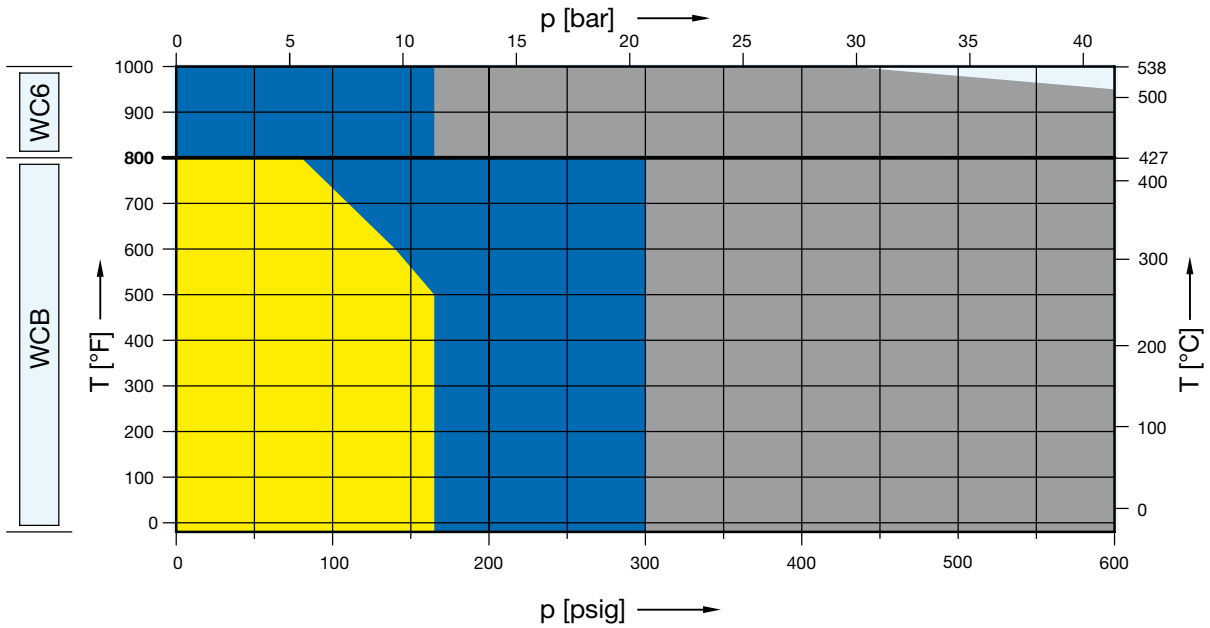
^o) Please add code for the required cap or lifting device. See page 13.

Remark: SA 352 Gr. LCB is not listed in the API 526. Pressure-Temperature Rating acc. to ASME B16.34 Table 2-1.3
The stated Pressure-Temperature Rating are taken from ASME B16.34 Table 2-1.3 if the maximum pressure is not limited by API 526.

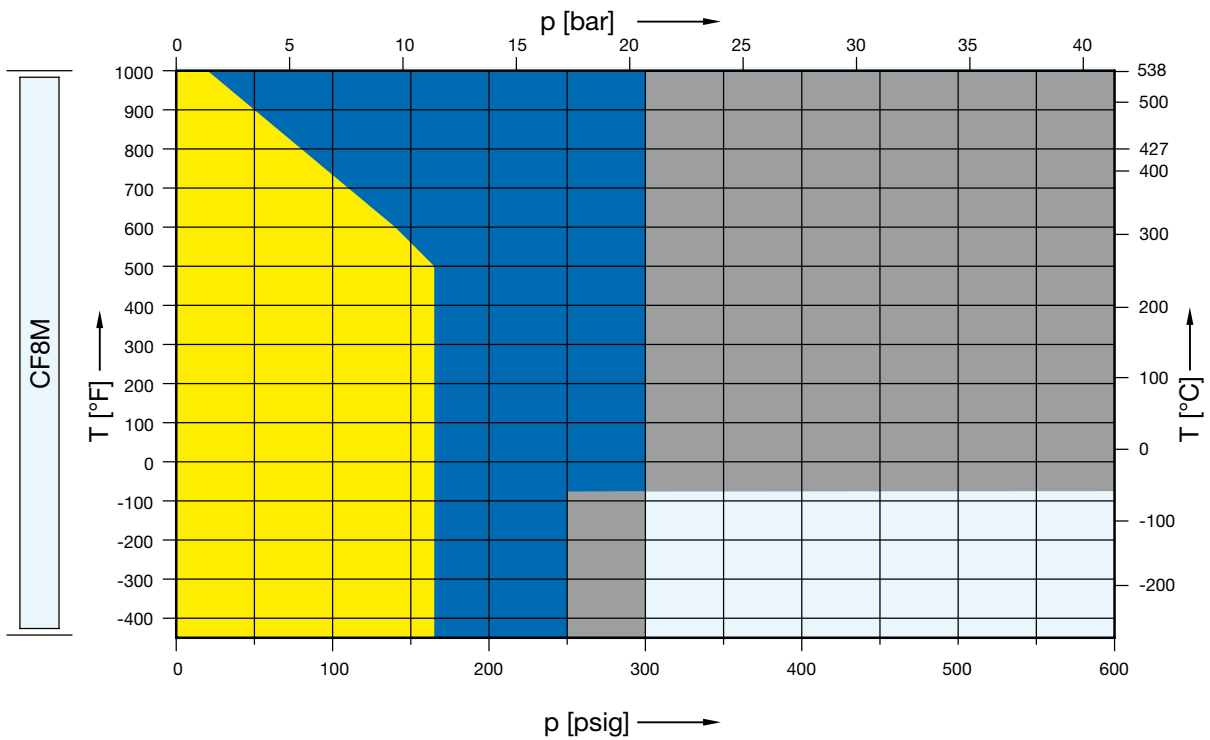
Due to the extended material test certificate the LESER LCB can be applied as LCC, WCB, WCC and 1.0619 with the respective pressure-temperature range as well.

Type 526
Orifice Q
 Selection charts

	150 x 150	300L x 150	300 x 150	600 x 150	900 x 150	1500 x 150	2500 x 300
WCB	5262.657X	See 300 x 150	5262.658X	5262.659X	-	-	-
WC6	-	See 300 x 150	5267.660X	5267.661X	-	-	-



	150 x 150	300L x 150	300 x 150	600 x 150	900 x 150	1500 x 150	2500 x 300
CF8M	5264.662X	See 300 x 150	5264.663X	5264.664X	-	-	-



For set pressures exceeding the limits of API 526 see pressure temperature ratings on page 68 and 69.

Type 526

Orifice Q

Article numbers, dimensions and weights

Article numbers

Valve size	6 Q 8	6 Q 8	6 Q 8	6 Q 8
Flange rating class <small>Inlet x Outlet</small>	150 x 150	300L x 150	300 x 150	600 x 150
Actual Orifice diameter d_0 [mm]	105.5	105.5	105.5	105.5
Actual Orifice area A_0 [mm ²]	8742	8742	8742	8742
Body material				
WCB 1.0619	Art. No. 5262.657^Q	Use 6 Q 8 300 x 150	5262.658^Q	5262.659^Q
CF8M 1.4408	Art. No. 5264.662^Q		5264.663^Q	5264.664^Q
WC6 1.7357	Art. No. -		5267.660^Q	5267.661^Q
LCB	Art. No. 5263.559^Q		5263.560^Q	5263.561^Q

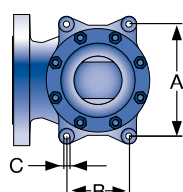
^Q Please add code for the required cap or lifting device. See below.

Dimensions and weights

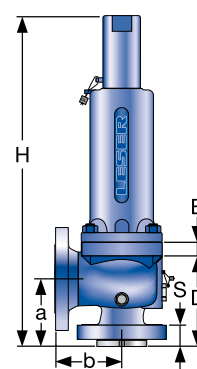
Metric units					
Weight [kg]		221	Use 6 Q 8 300 x 150	221	221
	with bellows	230		230	230
Center to face [mm]	Inlet a	240		240	240
	Outlet b	241		241	241
	s	68		68	68
Height (H4) [mm]	Standard H max.	1120		1120	1120 ¹⁾
	Bellows H max.	1200	1200	1200 ²⁾	
Support brackets [mm]	A	370	370	370	
	B	210	210	210	
	C	Ø 18	Ø 18	Ø 18	
	D	346	346	346	
	E	25	25	25	
US units					
Weight [lbs]		487.3	Use 6 Q 8 300 x 150	487.3	487.3
	with bellows	507.2		507.2	507.2
Center to face [inch]	Inlet a	9 ⁷ / ₁₆		9 ⁷ / ₁₆	9 ⁷ / ₁₆
	Outlet b	9 ¹ / ₂		9 ¹ / ₂	9 ¹ / ₂
	s	2 ¹¹ / ₁₆		2 ¹¹ / ₁₆	2 ¹¹ / ₁₆
Height (H4) [inch]	Standard H max.	44 ¹ / ₈		44 ¹ / ₈	44 ¹ / ₈ ¹⁾
	Bellows H max.	47 ¹ / ₄	47 ¹ / ₄	47 ¹ / ₄ ²⁾	
Support brackets [inch]	A	14 ⁹ / ₁₆	14 ⁹ / ₁₆	14 ⁹ / ₁₆	
	B	8 ⁹ / ₃₂	8 ⁹ / ₃₂	8 ⁹ / ₃₂	
	C	Ø ²³ / ₃₂	Ø ²³ / ₃₂	Ø ²³ / ₃₂	
	D	13 ⁵ / ₈	13 ⁵ / ₈	13 ⁵ / ₈	
	E	³¹ / ₃₂	³¹ / ₃₂	³¹ / ₃₂	

^Q Code for lifting device

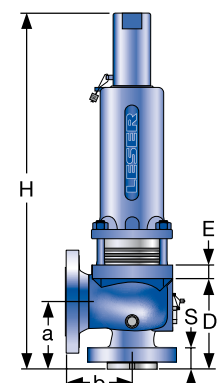
Lifting device	H2	H3	H4	H3
Bonnet	closed	closed	closed	open
WCB 1.0619, WC6 1.7357, LCB	2	3	4	5
CF8M 1.4408	2	-	4	-



Support brackets



Conventional design



Balanced bellows design

¹⁾ Type 526 high pressure design: 1202 mm / 47 ⁵/₁₆ inch

²⁾ Type 526 high pressure design: 1282 mm / 50 ¹/₂ inch

Type 526

Orifice Q

Pressure temperature ratings

Metric units

Valve size	6 Q 8	6 Q 8	6 Q 8	6 Q 8	
Flange rating class <small>Inlet x Outlet</small>	150 x 150	300L x 150	300 x 150	600 x 150	
Actual Orifice diameter d_0 [mm]	105.5	105.5	105.5	105.5	
Actual Orifice area A_0 [mm ²]	8742	8742	8742	8742	
Minimum set pressure [bar] S/G/L	0.2	0.2	0.2	0.2	
Minimum set pressure [bar] S/G	1.3	1.3	1.3	1.3	
Balanced bellows Inconel [bar] L	2.3	2.3	2.3	2.3	
Body material: WCB 1.0619		Pressure range p [bar] S/G/L			
Article numbers	5262.657[□]	Use 6 Q 8 300 x 150	5262.658[□]	5262.659[□]	
Maximum set pressure	-29 to 38 °C		11.4	20.7	41.4 (70)
	232 °C		11.4	20.7	41.4 (70)
	427 °C		5.5	20.7	41.4 (56.9)
Outlet pressure limit Conventional design	7.9		7.9	7.9	7.9
Outlet pressure limit Balanced bellows design	4.8		7.9	7.9	7.9
Body material: CF8M 1.4408		Pressure range p [bar] S/G/L			
Article numbers	5264.662[□]	Use 6 Q 8 300 x 150	5264.663[□]	5264.664[□]	
Maximum set pressure	-268 to -60 °C		11.4	17.2	20.7
	-59 to -29 °C		11.4	20.7	41.4
	-28 to 38 °C		11.4	20.7	41.4
	232 °C		11.4	20.7	41.4
	427 °C		5.5	20.7	41.4
538 °C	1.4		20.7	41.4	
Outlet pressure limit Conventional design	7.9	7.9	7.9	7.9	
Outlet pressure limit Balanced bellows design	4.8	7.9	7.9	7.9	
Body material: WC6 1.7357		Pressure range p [bar] S/G/L			
Article numbers	-	Use 6 Q 8 300 x 150	5267.660[□]	5267.661[□]	
Maximum set pressure	427 °C		-	11.4	41.4 (70)
	538 °C		-	11.4	29.7 (29.7)
Outlet pressure limit Conventional design	-		7.9	7.9	7.9
Outlet pressure limit Balanced bellows design	-	7.9	7.9	7.9	
Body material: LCB		Pressure range p [bar] S/G/L			
Article numbers	5263.559[□]	Use 6 Q 8 300 x 150	5263.560[□]	5263.561[□]	
Maximum set pressure	-46 to 38 °C		11.4	20.7	41.4 (70)
	200 °C		11.4	20.7	41.4 (70)
	343 °C		8.4	20.7	41.4 (70)
Outlet pressure limit Conventional design	7.9		7.9	7.9	7.9
Outlet pressure limit Balanced bellows design	4.8	7.9	7.9	7.9	

[□] Please add code for the required cap or lifting device. See page 13.

() = maximum set pressure of Type 526 high pressure design (Option code Z90)

Remark: SA 352 Gr. LCB is not listed in the API 526. Pressure-Temperature Rating acc. to ASME B16.34 Table 2-1.3
The stated Pressure-Temperature Rating are taken from ASME B16.34 Table 2-1.3 if the maximum pressure is not limited by API 526.

Due to the extended material test certificate the LESER LCB can be applied as LCC, WCB, WCC and 1.0619 with the respective pressure-temperature range as well.

Type 526

Orifice Q

Pressure temperature ratings

US units

Valve size	6 Q 8	6 Q 8	6 Q 8	6 Q 8	
Flange rating class <small>Inlet x Outlet</small>	150 x 150	300L x 150	300 x 150	600 x 150	
Actual Orifice diameter d_0 [inch]	4.15	4.15	4.15	4.15	
Actual Orifice area A_0 [inch ²]	13.55	13.55	13.55	13.55	
Minimum set pressure [psig] S/G/L	3.0	3.0	3.0	3.0	
Minimum set pressure [psig] S/G	18.8	18.8	18.8	18.8	
Balanced bellows Inconel [psig] F	33.4	33.4	33.4	33.4	
Body material: WCB 1.0619		Pressure range p [psig] S/G/L			
Article numbers	5262.657[Ⓜ]	Use 6 Q 8 300 x 150	5262.658[Ⓜ]	5262.659[Ⓜ]	
Maximum set pressure	-20 to 100 °F		165	300	600 (1015)
	450 °F		165	300	600 (1015)
	800 °F		80	300	600 (825)
Outlet pressure limit Conventional design	115		115	115	115
Outlet pressure limit Balanced bellows design	70		115	115	115
Body material: CF8M 1.4408		Pressure range p [psig] S/G/L			
Article numbers	5264.662[Ⓜ]	Use 6 Q 8 300 x 150	5264.663[Ⓜ]	5264.664[Ⓜ]	
Maximum set pressure	-450 to -76 °F		165	250	300
	-75 to -21 °F		165	300	600
	-20 to 100 °F		165	300	600
	450 °F		165	300	600
	800 °F		80	300	600
	1000 °F		20	300	600
Outlet pressure limit Conventional design	115		115	115	115
Outlet pressure limit Balanced bellows design	70	115	115	115	
Body material: WC6 1.7357		Pressure range p [psig] S/G/L			
Article numbers	–	Use 6 Q 8 300 x 150	5267.660[Ⓜ]	5267.661[Ⓜ]	
Maximum set pressure	800 °F		–	165	600 (1015)
	1000 °F		–	165	430 (430)
Outlet pressure limit Conventional design	–		115	115	115
Outlet pressure limit Balanced bellows design	–		115	115	115
Body material: LCB		Pressure range p [psig] S/G/L			
Article numbers	5263.559[Ⓜ]	Use 6 Q 8 300 x 150	5263.560[Ⓜ]	5263.561[Ⓜ]	
Maximum set pressure	-50 to 100 °F		165	300	600 (1015)
	400 °F		165	300	600 (1015)
	650 °F		125	300	600 (1015)
Outlet pressure limit Conventional design	115		115	115	115
Outlet pressure limit Balanced bellows design	70		115	115	115

[Ⓜ] Please add code for the required cap or lifting device. See page 13.

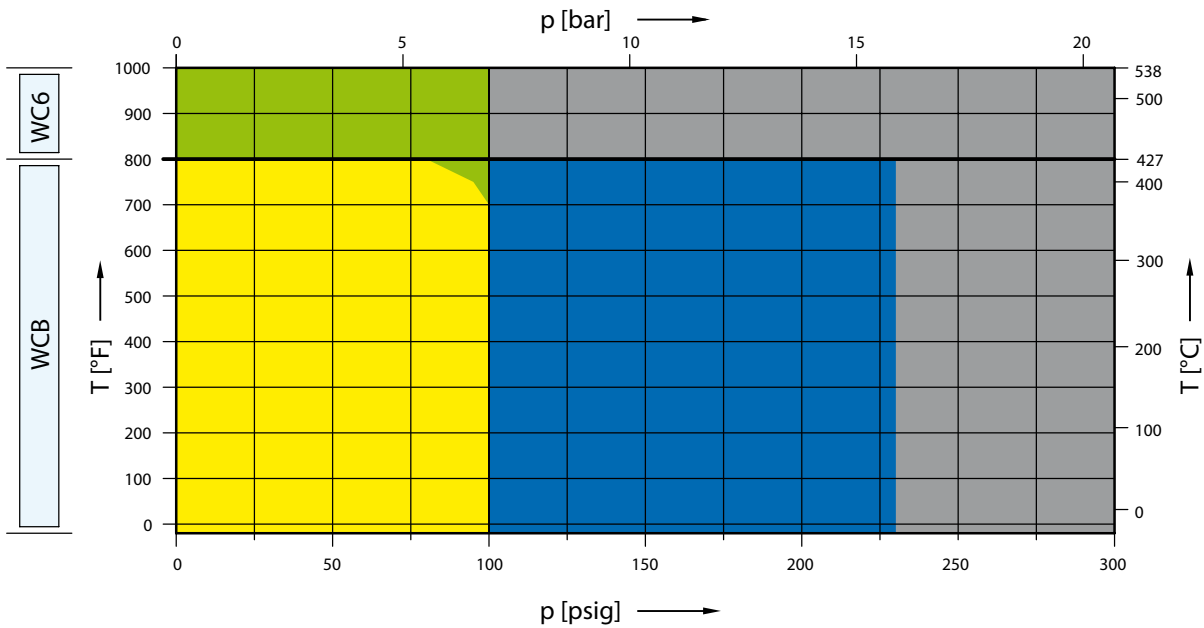
() = maximum set pressure of Type 526 high pressure design (Option code Z90)

Remark: SA 352 Gr. LCB is not listed in the API 526. Pressure-Temperature Rating acc. to ASME B16.34 Table 2-1.3
The stated Pressure-Temperature Rating are taken from ASME B16.34 Table 2-1.3 if the maximum pressure is not limited by API 526.

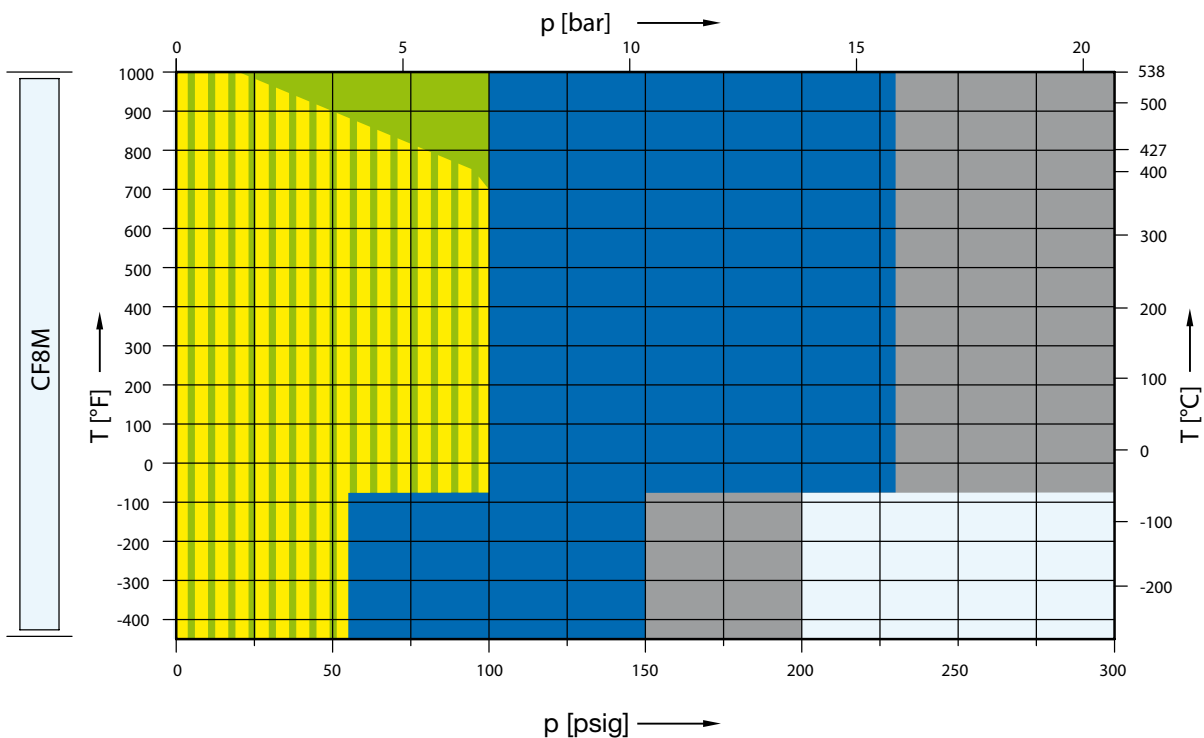
Due to the extended material test certificate the LESER LCB can be applied as LCC, WCB, WCC and 1.0619 with the respective pressure-temperature range as well.

Type 526 Orifice R Selection charts

	150 x 150	300L x 150	300 x 150	600 x 150	900 x 150	1500 x 150	2500 x 300
WCB	5262.665X	5262.666X	5262.667X	5262.668X	-	-	-
WC6	-	5267.669X	-	5267.670X	-	-	-



	150 x 150	300L x 150	300 x 150	600 x 150	900 x 150	1500 x 150	2500 x 300
CF8M	5264.671X	5264.672X	5264.673X	5264.674X	-	-	-



For set pressures exceeding the limits of API 526 see pressure temperature ratings on page 72 and 73.

Type 526

Orifice R

Article numbers, dimensions and weights

Article numbers

Valve size	6 R 8	6 R 8	6 R 10	6 R 10
Flange rating class <small>Inlet x Outlet</small>	150 x 150	300L x 150	300 x 150	600 x 150
Actual Orifice diameter d_0 [mm]	126.0	126.0	126.0	126.0
Actual Orifice area A_0 [mm ²]	12568	12568	12568	12568
Body material				
WCB 1.0619	Art. No. 5262.665^o	5262.666^o	5262.667^o	5262.668^o
CF8M 1.4408	Art. No. 5264.671^o	5264.672^o	5264.673^o	5264.674^o
WC6 1.7357	Art. No. -	5267.669^o	-	5267.670^o
LCB	Art. No. 5263.562^o	5263.563^o	5263.564^o	5263.565^o

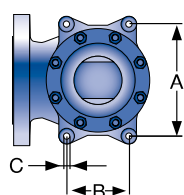
^o Please add code for the required cap or lifting device. See below.

Dimensions and weights

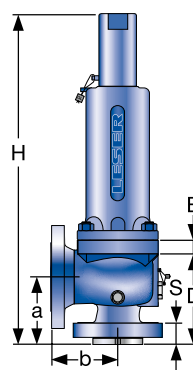
Metric units					
Weight [kg]		221	221	277	277
	with bellows	230	230	288	288
Center to face [mm]	Inlet a	240	240	240	240
	Outlet b	241	241	267	267
	s	68	68	70	70
Height (H4) [mm]	Standard H max.	1120	1120	1426	1426
	Bellows H max.	1200	1200	1426	1426
Support brackets [mm]	A	370	370	470	470
	B	210	210	150	150
	C	Ø 18	Ø 18	Ø 18	Ø 18
	D	346	346	460	460
	E	25	25	25	25
US units					
Weight [lbs]		487.3	487.3	610.8	610.8
	with bellows	507.2	507.2	635	635
Center to face [inch]	Inlet a	9 ⁷ / ₁₆	9 ⁷ / ₁₆	9 ⁷ / ₁₆	9 ⁷ / ₁₆
	Outlet b	9 ¹ / ₂	9 ¹ / ₂	10 ¹ / ₂	10 ¹ / ₂
	s	2 ¹¹ / ₁₆	2 ¹¹ / ₁₆	2 ³ / ₄	2 ³ / ₄
Height (H4) [inch]	Standard H max.	44 ¹ / ₈	44 ¹ / ₈	56 ¹ / ₈	56 ¹ / ₈
	Bellows H max.	47 ¹ / ₄	47 ¹ / ₄	56 ¹ / ₈	56 ¹ / ₈
Support brackets [inch]	A	14 ⁹ / ₁₆	14 ⁹ / ₁₆	5 ¹ / ₈	5 ¹ / ₈
	B	8 ⁹ / ₃₂	8 ⁹ / ₃₂	5 ²⁹ / ₃₂	5 ²⁹ / ₃₂
	C	Ø ²³ / ₃₂	Ø ²³ / ₃₂	Ø ²³ / ₃₂	Ø ²³ / ₃₂
	D	13 ⁵ / ₈	13 ⁵ / ₈	18 ¹ / ₈	18 ¹ / ₈
	E	³¹ / ₃₂	³¹ / ₃₂	³¹ / ₃₂	³¹ / ₃₂

^o Code for lifting device

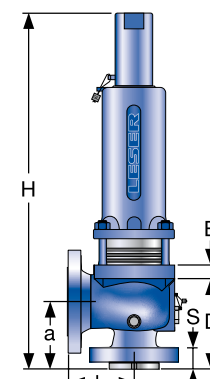
Lifting device	H2	H3	H4	H3
Bonnet	closed	closed	closed	open
WCB 1.0619, WC6 1.7357, LCB	2	3	4	5
CF8M 1.4408	2	-	4	-



Support brackets



Conventional design



Balanced bellows design

Type 526

Orifice R

Pressure temperature ratings

Metric units

Valve size	6 R 8	6 R 8	6 R 10	6 R 10
Flange rating class <small>Inlet x Outlet</small>	150 x 150	300L x 150	300 x 150	600 x 150
Actual Orifice diameter d_0 [mm]	126.0	126.0	126.0	126.0
Actual Orifice area A_0 [mm ²]	12568	12568	12568	12568
Minimum set pressure [bar] S/G/L	0.2	0.2	0.2	0.2
Minimum set pressure [bar] S/G	1.0	1.0	3.0	3.0
Balanced bellows Inconel [bar] L	1.4	1.4	3.0	3.0
Body material: WCB 1.0619		Pressure range p [bar] S/G/L		
Article numbers	5262.665[□]	5262.666[□]	5262.667[□]	5262.668[□]
Maximum Set pressure	-29 to 38 °C	6.9	6.9	15.9
	232 °C	6.9	6.9	15.9
	427 °C	5.5	6.9	15.9
Outlet pressure limit				
Conventional design	4.1	4.1	6.9	6.9
Outlet pressure limit				
Balanced bellows design	4.1	4.1	6.9	6.9
Body material: CF8M 1.4408		Pressure range p [bar] S/G/L		
Article numbers	5264.671[□]	5264.672[□]	5264.673[□]	5264.674[□]
Maximum Set pressure	-268 to -60 °C	3.8	3.8	10.3
	-59 to -29 °C	6.9	6.9	15.9
	-28 to 38 °C	6.9	6.9	15.9
	232 °C	6.9	6.9	15.9
	427 °C	5.5	6.9	15.9
	538 °C	1.4	6.9	15.9
Outlet pressure limit				
Conventional design	4.1	4.1	6.9	6.9
Outlet pressure limit				
Balanced bellows design	4.1	4.1	6.9	6.9
Body material: WC6 1.7357		Pressure range p [bar] S/G/L		
Article numbers	-	5267.669[□]	-	5267.670[□]
Maximum Set pressure	427 °C	6.9	-	20.7 (63)
	538 °C	6.9	-	20.7 (29.7)
Outlet pressure limit				
Conventional design	-	4.1	-	6.9
Outlet pressure limit				
Balanced bellows design	-	4.1	-	6.9
Body material: LCB		Pressure range p [bar] S/G/L		
Article numbers	5263.562[□]	5263.563[□]	5263.564[□]	5263.565[□]
Maximum Set pressure	-46 to 38 °C	6.9	6.9	15.9
	200 °C	6.9	6.9	15.9
	343 °C	6.9	6.9	15.9
Outlet pressure limit				
Conventional design	4.1	4.1	6.9	6.9
Outlet pressure limit				
Balanced bellows design	4.1	4.1	6.9	6.9

[□]) Please add code for the required cap or lifting device. See page 13.

() = maximum set pressure of Type 526 high pressure design (Option code Z90)

Remark: SA 352 Gr. LCB is not listed in the API 526. Pressure-Temperature Rating acc. to ASME B16.34 Table 2-1.3
The stated Pressure-Temperature Rating are taken from ASME B16.34 Table 2-1.3 if the maximum pressure is not limited by API 526.

Due to the extended material test certificate the LESER LCB can be applied as LCC, WCB, WCC and 1.0619 with the respective pressure-temperature range as well.

Type 526

Orifice R

Pressure temperature ratings

US units

Valve size	6 R 8	6 R 8	6 R 10	6 R 10
Flange rating class <small>Inlet x Outlet</small>	150 x 150	300L x 150	300 x 150	600 x 150
Actual Orifice diameter d_0 [inch]	4.96	4.96	4.96	4.96
Actual Orifice area A_0 [inch ²]	19.33	19.33	19.33	19.33
Minimum set pressure [psig] S/G/L	3.0	3.0	3.0	3.0
Minimum set pressure [psig] S/G	14.5	14.5	43.5	43.5
Balanced bellows Inconel [psig] L	20.3	20.3	43.5	43.5
Body material: WCB 1.0619		Pressure range p [psig] S/G/L		
Article numbers	5262.665[Ⓜ]	5262.666[Ⓜ]	5262.667[Ⓜ]	5262.668[Ⓜ]
Maximum Set pressure	-20 to 100 °F	100	100	230
	450 °F	100	100	230
	800 °F	80	100	230
Outlet pressure limit				
Conventional design	60	60	100	100
Outlet pressure limit				
Balanced bellows design	60	60	100	100
Body material: CF8M 1.4408		Pressure range p [psig] S/G/L		
Article numbers	5264.671[Ⓜ]	5264.672[Ⓜ]	5264.673[Ⓜ]	5264.674[Ⓜ]
Maximum Set pressure	-450 to -76 °F	55	55	150
	-75 to -21 °F	100	100	230
	-20 to 100 °F	100	100	230
	450 °F	100	100	230
	800 °F	80	100	230
	1000 °F	20	100	230
Outlet pressure limit				
Conventional design	60	60	100	100
Outlet pressure limit				
Balanced bellows design	60	60	100	100
Body material: WC6 1.7357		Pressure range p [psig] S/G/L		
Article numbers	-	5267.669[Ⓜ]	-	5267.670[Ⓜ]
Maximum Set pressure	800 °F	-	100	-
	1000 °F	-	100	-
Outlet pressure limit				
Conventional design	-	60	-	100
Outlet pressure limit				
Balanced bellows design	-	60	-	100
Body material: LCB		Pressure range p [psig] S/G/L		
Article numbers	5263.562[Ⓜ]	5263.563[Ⓜ]	5263.564[Ⓜ]	5263.565[Ⓜ]
Maximum Set pressure	-50 to 100 °F	100	100	230
	400 °F	100	100	230
	650 °F	100	100	230
Outlet pressure limit				
Conventional design	60	60	100	100
Outlet pressure limit				
Balanced bellows design	60	60	100	100

[Ⓜ] Please add code for the required cap or lifting device. See page 13.

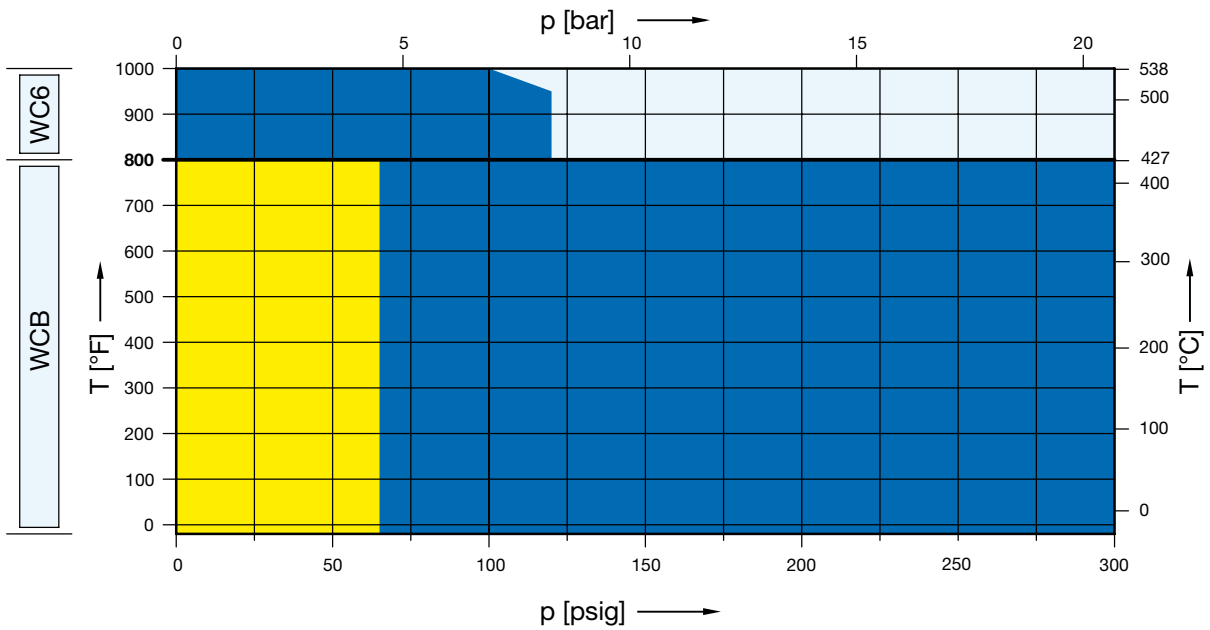
() = maximum set pressure of Type 526 high pressure design (Option code Z90)

Remark: SA 352 Gr. LCB is not listed in the API 526. Pressure-Temperature Rating acc. to ASME B16.34 Table 2-1.3
The stated Pressure-Temperature Rating are taken from ASME B16.34 Table 2-1.3 if the maximum pressure is not limited by API 526.

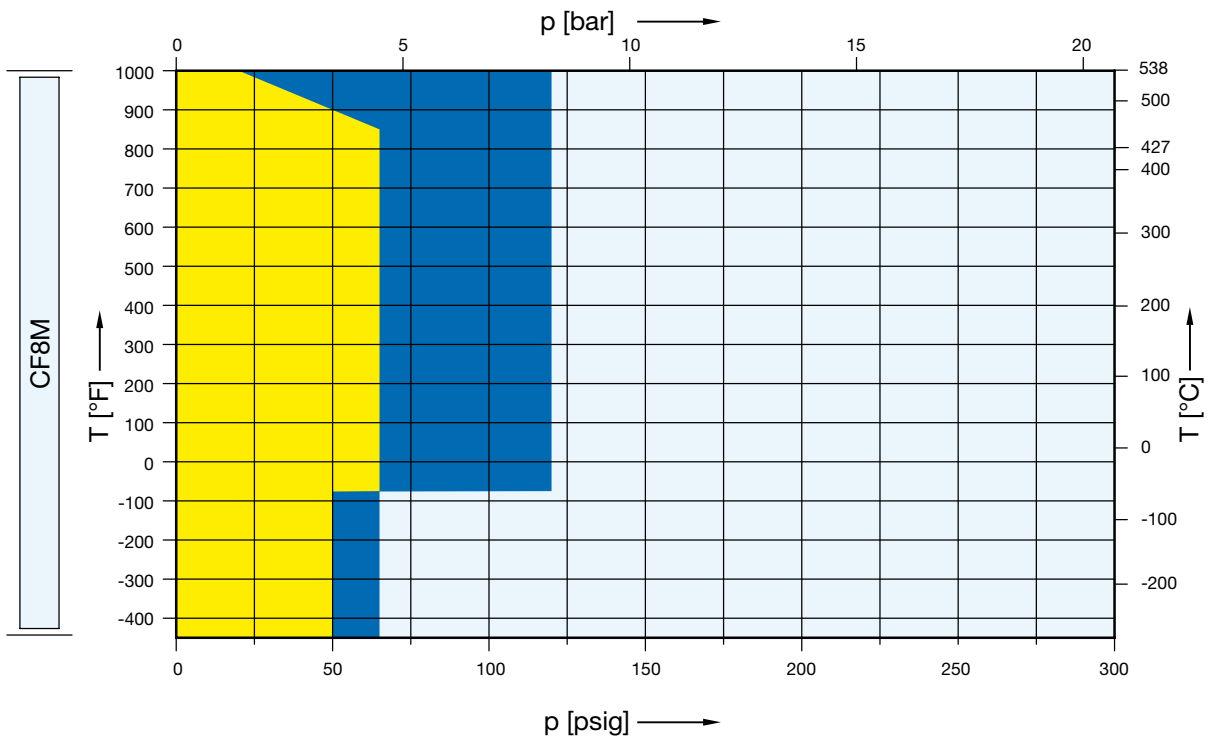
Due to the extended material test certificate the LESER LCB can be applied as LCC, WCB, WCC and 1.0619 with the respective pressure-temperature range as well.

Type 526 Orifice T Selection charts

	150 x 150	300L x 150	300 x 150	600 x 150	900 x 150	1500 x 150	2500 x 300
WCB	5262.675X	See 300 x 150	5262.676X	-	-	-	-
WC6	-	See 300 x 150	5267.677X	-	-	-	-



	150 x 150	300L x 150	300 x 150	600 x 150	900 x 150	1500 x 150	2500 x 300
CF8M	5264.678X	See 300 x 150	5264.679X	-	-	-	-



For set pressures exceeding the limits of API 526 see pressure temperature ratings on page 76 and 77.

Type 526

Orifice T

Article numbers, dimensions and weights

Article numbers

Valve size	8 T 10	8 T 10	8 T 10
Flange rating class <small>Inlet x Outlet</small>	150 x 150	300L x 150	300 x 150
Actual Orifice diameter d_0 [mm]	161.5	161.5	161.5
Actual Orifice area A_0 [mm ²]	20485	20485	20485
Body material			
WCB 1.0619	Art. No. 5262.675^o	Use 8 T 10 300 x 150	5262.676^o
CF8M 1.4408	Art. No. 5264.678^o		5264.679^o
WC6 1.7357	Art. No. -		5267.677^o
LCB	Art. No. 5263.566^o		5263.567^o

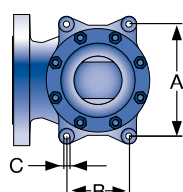
^o Please add code for the required cap or lifting device. See below.

Dimensions and weights

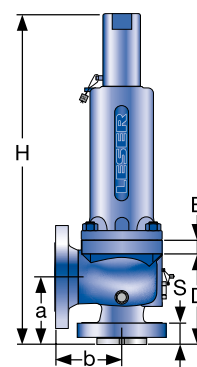
Metric units			
Weight [kg]		287	287
	with bellows	298	298
Center to face [mm]	Inlet a	276	276
	Outlet b	279	279
	s	62	62
Height (H4) [mm]	Standard H max.	1462	1462
	Bellows H max.	1462	1462
Support brackets [mm]	A	470	470
	B	150	150
	C	Ø 18	Ø 18
	D	497	497
	E	25	25
Use 8 T 10 300 x 150			
US units			
Weight [lbs]		632.8	632.8
	with bellows	657.1	657.1
Center to face [inch]	Inlet a	10 ⁷ / ₈	10 ⁷ / ₈
	Outlet b	11	11
	s	2 ⁷ / ₁₆	2 ⁷ / ₁₆
Height (H4) [inch]	Standard H max.	57 ⁹ / ₁₆	57 ⁹ / ₁₆
	Bellows H max.	57 ⁹ / ₁₆	57 ⁹ / ₁₆
Support brackets [inch]	A	18 ¹ / ₂	18 ¹ / ₂
	B	150	150
	C	Ø ²³ / ₃₂	Ø ²³ / ₃₂
	D	19 ⁹ / ₁₆	19 ⁹ / ₁₆
	E	³¹ / ₃₂	³¹ / ₃₂
Use 8 T 10 300 x 150			

^o Code for lifting device

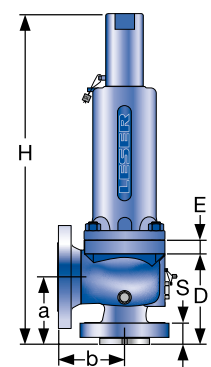
Lifting device	H2	H3	H4	H3
Bonnet	closed	closed	closed	open
WCB 1.0619, WC6 1.7357, LCB	2	3	4	5
CF8M 1.4408	2	-	4	-



Support brackets



Conventional design



Balanced bellows design

Type 526

Orifice T

Pressure temperature ratings

Metric units

Valve size	8 T 10	8 T 10	8 T 10	
Flange rating class <small>Inlet x Outlet</small>	150 x 150	300L x 150	300 x 150	
Actual Orifice diameter d_0 [mm]	161.5	161.5	161.5	
Actual Orifice area A_0 [mm ²]	20485	20485	20485	
Minimum set pressure [bar] S/G/L	0.25	0.25	0.25	
Minimum set pressure [bar] S/G	1.2	1.2	1.2	
Balanced bellows Inconel [bar] L	2.5	2.5	2.5	
Body material: WCB 1.0619		Pressure range p [bar] S/G/L		
Article numbers	5262.675^a	Use 8 T 10 300 x 150	5262.676^a	
Maximum set pressure	-29 to 38 °C		4.5	20.7 (36)
	232 °C		4.5	20.7 (36)
	427 °C		4.5	20.7 (28.3)
Outlet pressure limit Conventional design	2.1			6.9
Outlet pressure limit Balanced bellows design	2.1			6.9
Body material: CF8M 1.4408		Pressure range p [bar] S/G/L		
Article numbers	5264.678^a	Use 8 T 10 300 x 150	5264.679^a	
Maximum set pressure	-268 to -60 °C		3.4	4.5
	-59 to -29 °C		4.5	8.3
	-28 to 38 °C		4.5	8.3
	232 °C		4.5	8.3
	427 °C		4.5	8.3
	538 °C		1.4	8.3
Outlet pressure limit Conventional design	2.1			4.1
Outlet pressure limit Balanced bellows design	2.1		4.1	
Body material: WC6 1.7357		Pressure range p [bar] S/G/L		
Article numbers	–	Use 8 T 10 300 x 150	5267.677^a	
Maximum Set pressure	427 °C		–	20.7 (35.2)
	538 °C		–	15.5 (15.5)
Outlet pressure limit Conventional design	–			6.9
Outlet pressure limit Balanced bellows design	–			6.9
Body material: LCB		Pressure range p [bar] S/G/L		
Article numbers	5263.566^a	Use 8 T 10 300 x 150	5263.567^a	
Maximum set pressure	-46 to 38 °C		4.5	20.7 (36)
	200 °C		4.5	20.7 (36)
	343 °C		4.5	20.7 (36)
Outlet pressure limit Conventional design	2.1			6.9
Outlet pressure limit Balanced bellows design	2.1			6.9

^a) Please add code for the required cap or lifting device. See page 13.

() = maximum set pressure of Type 526 high pressure design (Option code Z90)

Remark: SA 352 Gr. LCB is not listed in the API 526. Pressure-Temperature Rating acc. to ASME B16.34 Table 2-1.3
The stated Pressure-Temperature Rating are taken from ASME B16.34 Table 2-1.3 if the maximum pressure is not limited by API 526.

Due to the extended material test certificate the LESER LCB can be applied as LCC, WCB, WCC and 1.0619 with the respective pressure-temperature range as well.

Type 526

Orifice T

Pressure temperature ratings

US units

Valve size	8 T 10	8 T 10	8 T 10
Flange rating class <small>Inlet x Outlet</small>	150 x 150	300L x 150	300 x 150
Actual Orifice diameter d_0 [inch]	6.36	6.36	6.36
Actual Orifice area A_0 [inch ²]	31.75	31.75	31.75
Minimum set pressure [psig] S/G/L	4.0	4.0	4.0
Minimum set pressure [psig] S/G	17.4	17.4	17.4
Balanced bellows Inconel [psig] L	36.3	36.3	36.3
Body material: WCB 1.0619		Pressure range p [psig] S/G/L	
Article numbers	5262.675[Ⓜ]	Use 8 T 10 300 x 150	5262.676[Ⓜ]
Maximum set pressure -20 to 100 °F	65		300 (522)
450 °F	65		300 (522)
800 °F	65		300 (410)
Outlet pressure limit Conventional design	30		100
Outlet pressure limit Balanced bellows design	30		100
Body material: CF8M 1.4408		Pressure range p [psig] S/G/L	
Article numbers	5264.678[Ⓜ]	Use 8 T 10 300 x 150	5264.679[Ⓜ]
Maximum set pressure -450 to -76 °F	50		65
-75 to -21 °F	65		120
-20 to 100 °F	65		120
450 °F	65		120
800 °F	65		120
1000 °F	20		120
Outlet pressure limit Conventional design	30		60
Outlet pressure limit Balanced bellows design	30	60	
Body material: WC6 1.7357		Pressure range p [psig] S/G/L	
Article numbers	–	Use 8 T 10 300 x 150	5267.677[Ⓜ]
Maximum set pressure 800 °F	–		300 (510)
1000 °F	–		225 (225)
Outlet pressure limit Conventional design	–		100
Outlet pressure limit Balanced bellows design	–	100	
Body material: LCB		Pressure range p [psig] S/G/L	
Article numbers	5263.566[Ⓜ]	Use 8 T 10 300 x 150	5263.567[Ⓜ]
Maximum set pressure -50 to 100 °F	65		300 (522)
400 °F	65		300 (522)
650 °F	65		300 (522)
Outlet pressure limit Conventional design	30		100
Outlet pressure limit Balanced bellows design	30		100

[Ⓜ] Please add code for the required cap or lifting device. See page 13.

() = maximum set pressure of Type 526 high pressure design (Option code Z90)

Remark: SA 352 Gr. LCB is not listed in the API 526. Pressure-Temperature Rating acc. to ASME B16.34 Table 2-1.3
The stated Pressure-Temperature Rating are taken from ASME B16.34 Table 2-1.3 if the maximum pressure is not limited by API 526.

Due to the extended material test certificate the LESER LCB can be applied as LCC, WCB, WCC and 1.0619 with the respective pressure-temperature range as well.

Type 526 Available options

Type 526

Screwed cap H2
H2



Packed lever H4
H4



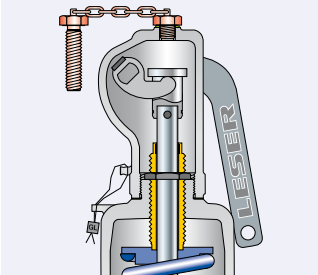
Plain lever H3
H3



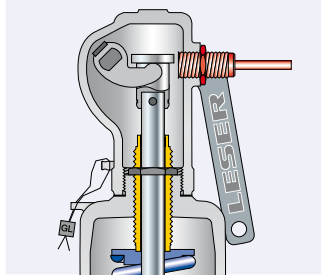
Open bonnet
See Art. No.



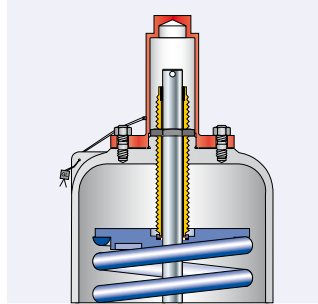
Test gag
J69: H4 K05: H1
J70: H2 K27: H6



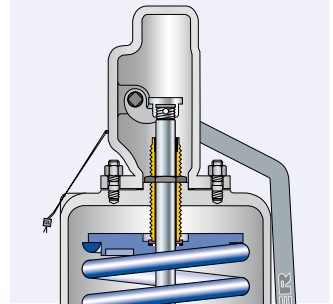
Lift indicator
J39: Adaptor for lift indicator H4
J93: Lift indicator



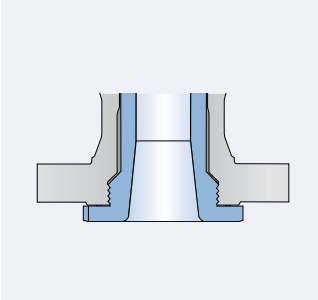
Bolted cap H1
K01



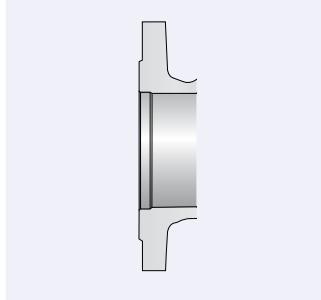
Bolted lifting device H6
K06



Flange drillings
acc. to DIN EN 1092-1

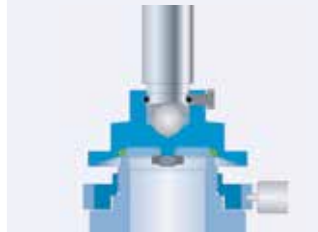


Outlet flange rating class 300



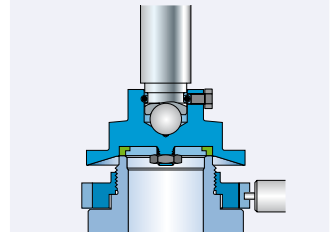
O-ring disc

- J21: CR "K"
- J22: EPDM "D"
- J23: FKM "L"
- J20: FFKM "C"

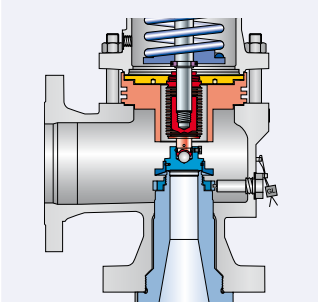


Disc with inserted sealing plate

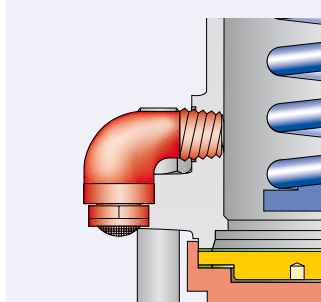
- J44+S07: PTFE-FDA "A"
- J48+S07: PCTFE "G"
- J49+S07: SP "T"



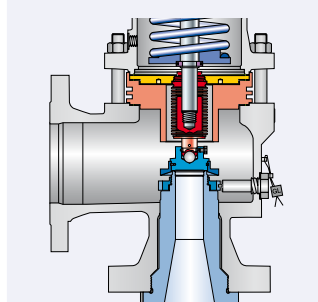
Inconel bellows
J83



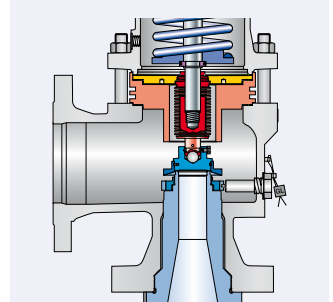
Bug screen
M70



Conversion kit for balanced bellows



High temperature equipment
J88



Type 526
Available options

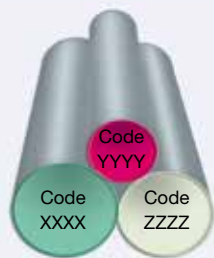
NACE sour gas application
N78



INCONEL X-750 spring
X08



API Alloy Concept



High pressure design
for orifices Q, R, T
Z90

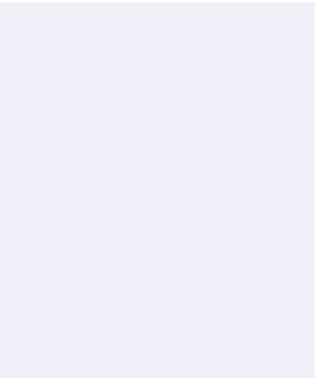
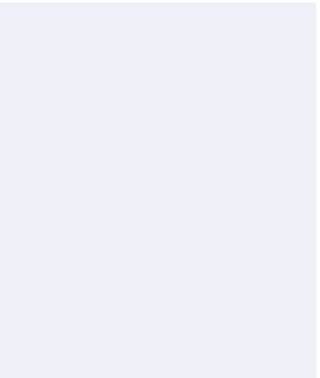
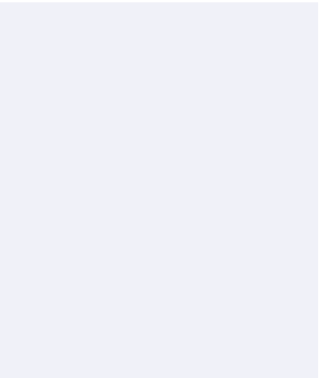
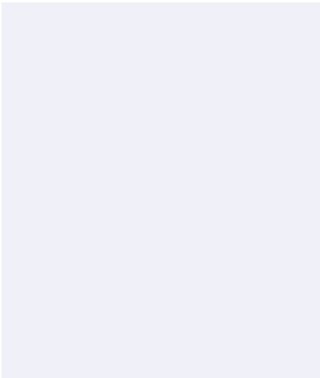
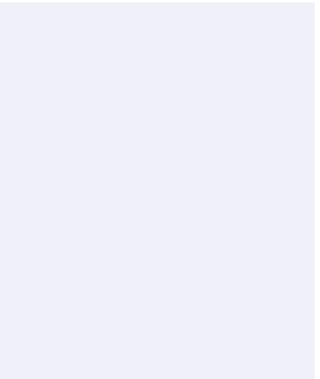
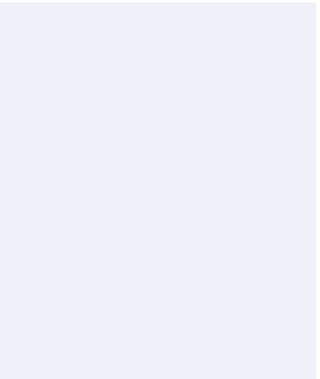
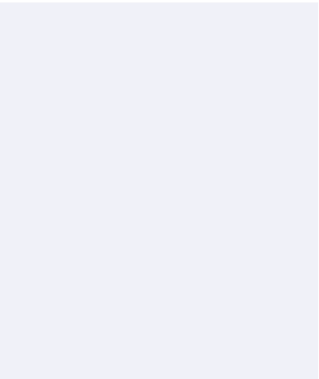
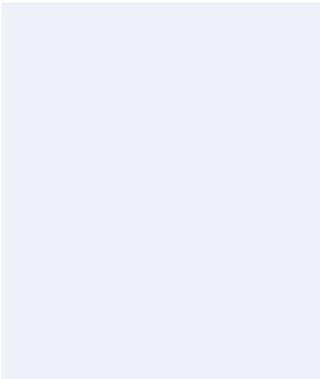
Butt-weld connection
S05



Heating jacket



LESER Original Spare Parts Kits
see page 88



Type 526 API Alloy Concept

Various parts of the valve are defined in corrosive-resistant materials depending on its operating condition. This level concept allows the customer to select the most efficient

solution for their application. Only the parts required for the application are manufactured using corrosion-resistant materials.

Recommendation for the level selection for corrosive applications

Level		Description	Corrosive		Opening		Repair after opening			Components in alloy material
Conventional design	Bellows design		Medium	Environment	rare	more frequent	immediate	delayed	scheduled	
1.0	1.1	Inlet medium wetted	X	-	X	-	X	-	-	Nozzle, disc
2.0	-	Inlet medium wetted and guiding	X	-	-	X	-	X	-	Nozzle, disc, spindle, guide
	2.1	Inlet medium wetted with bellows	X	-	-	X	-	X	-	Nozzle, disc, bellows
	3.1	Inlet and Outlet medium wetted	X	-	-	X	-	-	X	All medium wetted components
4.0	4.1	Valve external	-	X	n/a	n/a	-	-	X	All external components
5.0	5.1	Valve complete	X	X			-	-	X	All components

n/a = not available

Overview API Alloy Concept

Inlet medium wetted		Inlet medium wetted and guiding		Inlet and outlet medium wetted	Valve external		Valve complete	
Level 1.0	Level 1.1	Level 2.0	Level 2.1	Level 3.1	Level 4.0	Level 4.1	Level 5.0	Level 5.1

Level 1 and 2 can be selected using the option codes provided in the following table:

			CF3M/316L	Duplex	Super Duplex	Monel	Hastelloy	Inconel
Level 2 (Inlet medium wetted and guiding)	Level 1 (Inlet medium wetted)	Nozzle	L64	K1A	K1B	L66	L67	L69
		Disc	L44	L43	K2A	L40	L41	L42
		Guide	I63	K3D	K3E	K3A	K3B	K3C
		Spindle	K4Z	K4D	K4E	K4A	K4B	K4C
		Bellows (connecting parts 316L)	n/a	n/a	n/a	n/a	n/a	J83
		Spring	n/a	n/a	n/a	n/a	n/a	X08
		Body	H1A	H1D	H1F	H1B	H1C	H1E

n/a = not available

Type 526 NACE-Compliant Safety Valves

General requirements for safety valves in sour gas service

Media such as sour gas, which is especially common in oil and gas production, can have a corrosive effect on safety valves. The National Association of Corrosion Engineers (NACE) is a global association that deals with the development of corrosion control measures and defines these in standards such as NACE MR0175 and NACE MR0103. Both of these standards identify requirements for metallic materials used for piping and related components, to include safety valves, in the oil and gas industry.

The aim here is to protect the environment from escaping media. The focus is on the prevention of various types of corrosion (e.g. sulfur-induced stress corrosion cracking) of used materials that can be caused by acidic media.

Both standards define the maximum material hardness for prevention of corrosion damage because hardness increases corrosion resistance. NACE MR0175 provides requirements for materials used in oil and gas extraction (upstream) whereas NACE MR0103 specifies less stringent requirements for materials used in refinery processes (downstream).

Various components of LESER safety valves can be constructed in corrosion resistant materials using a level concept. This way, LESER can offer efficient safety valve solutions according

to the requirements of NACE MR0175 and NACE MR0103 for different application conditions.

Norms

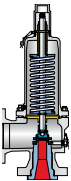
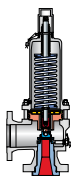
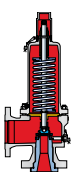
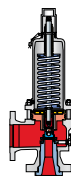
NACE MR0175/ISO15156 – 2003

1 Scope: This part of NACE MR0175/ISO 15156 describes general principles and gives requirements and recommendations for the selection and qualification of metallic materials for service in equipment used in oil and gas production and in natural gas sweetening plants in H₂S-containing environments, where the failure of such equipment could pose a risk to the health and safety of the public and personnel or to the environment.

NACE MR0103 – 2012

- 1.1.1: This standard establishes material requirements for resistance to SSC in sour petroleum refining and related processing environments containing H₂S either as a gas or dissolved in an aqueous (liquid water) phase with or without the presence of hydrocarbon.
- 1.1.2: Specifically, this standard is directed at the prevention of SSC of equipment (including pressure vessels, heat exchangers, piping, valve bodies, and pump and compressor cases) and components used in the refining industry.

Works standard: LDeS 3001.91

		Level 1		Level 2			
Part definition		Contact with the medium in closed position		Contact with the medium in opened position			
		Conventional	Balanced bellows	Conventional	Balanced bellows		
Contact surfaces							
Safety valve operation		closed		closed /opened			
Parts concerned		Nozzle, disc	Nozzle, disc	Nozzle, disc, body, bonnet, cap/lifting device, spring	Nozzle, disc, body, bonnet spacer, bellows		
Necessary material modification NACE MR0175/ISO 15156 – 2003 (Option code N78) and NACE MR0103 – 2012 (Option code N77)							
Type	Body material	Design	Part	Material	Option code	Material	Option code
5262 5263 5267	WCB 1.619 LCB WC6 1.7357	Conventional	Disc	1.4404/316L stel.	L44 / J25	1.4404/316L stel.	L44 / J25
			Nozzle	1.4408/CF8M, 1.4404/316L, 1.4404/316L stel.	Standard L64	1.4408/CF8M, 1.4404/316L, 1.4404/316L stel.	Standard L64
			Spring	No modification required		2.4669/ Inconel X-750	X08
		Balanced bellows	Disc	1.4404 / 316L stellited	L44	1.4404 / 316L stellited	L44
			Bellows	2.4856/1.4404, Inconel 625/316L	J83	2.4856/1.4404, Inconel 625/316L	J83
5264	CF8M 1.4408	Conventional	Disc	1.4404/316L stel.	Standard J25	1.4404/316L stel.	Standard J25
			Spring	No modification required		2.4669/ Inconel X-750	X08
		Balanced bellows	Bellows	2.4856/1.4404, Inconel 625/316L	J83	2.4856/1.4404, Inconel 625/316L	J83
Documentation			Option Code	N78 or N77			

Specification acc. to NACE. Inspection certificate 3.1 according to DIN EN 10204 and material test certificates are included.
Components: Body, seat / nozzle and disc

Type 526

Flange drillings according to DIN EN 1092-1

Type 526

Standard API 526		Article number					Flange drillings															
Valve size	Flange class	Material				Inlet NPS [DN]	Inlet										Outlet NPS [DN]	Outlet				
		WCB 5262.	LCB 5263.	WC6 5267.	CF8M 5264.		PN 10/16	PN 25	PN 40	PN 63	PN 100	PN 160	PN 250	PN 320	PN 400	PN 10		PN 16	PN 25	PN 40	PN 63	
1 D 2	300 x 150 ¹⁾	002*	501*	006*	011*	25	H47	H47	H47	-	-	-	-	-	-	50	H15	H15	H15	H15	-	
1 D 2	600 x 150	003*	502*	007*	012*	25	-	-	-	H10	H17	-	-	-	-	50	H15	H15	H15	H15	-	
1½ D 2	1500 x 300	004*	503*	008*	013*	40	-	-	-	-	-	H11	H12	-	-	50	H15	H15	H15	H15	-	
1½ D 3	2500 x 300	005*	504*	009*	014*	40	-	-	-	-	-	-	H12	H13	-	80	H15	H15	H15	H15	H16	
1 E 2	300 x 150 ¹⁾	016*	506*	020*	025*	25	H47	H47	H47	-	-	-	-	-	-	50	H15	H15	H15	H15	-	
1 E 2	600 x 150	017*	507*	021*	026*	25	-	-	-	H10	H17	-	-	-	-	50	H15	H15	H15	H15	-	
1½ E 2	1500 x 300	018*	508*	022*	027*	40	-	-	-	-	-	H11	H12	-	-	50	H15	H15	H15	H15	-	
1½ E 3	2500 x 300	019*	509*	023*	028*	40	-	-	-	-	-	-	H12	H13	-	80	H15	H15	H15	H15	H16	
1½ F 2	300L x 150	030*	511*	-	040*	40	H47	-	-	-	-	-	-	-	-	50	H15	H15	H15	H15	-	
1½ F 2	300 x 150	031*	512*	035*	041*	40	-	H47	H47	-	-	-	-	-	-	50	H15	H15	H15	H15	-	
1½ F 2	600 x 150	032*	513*	036*	042*	40	-	H47	H47	-	-	-	-	-	-	50	H15	H15	H15	H15	-	
1½ F 3	1500 x 300	033*	514*	037*	043*	40	-	-	-	H10	H17	H11	H12	-	-	80	H15	H15	H15	H15	H16	
1½ F 3	2500 x 300	034*	515*	038*	044*	40	-	-	-	-	-	-	H12	H13	-	80	H15	H15	H15	H15	H16	
1½ G 3	300L x 150	046*	517*	-	111*	40	H47	-	-	-	-	-	-	-	-	80	H15	H15	H15	H15	-	
1½ G 3	300 x 150	047*	518*	052*	112*	40	-	H47	H47	H10	-	-	-	-	-	80	H15	H15	H15	H15	-	
1½ G 3	600 x 150	048*	519*	053*	113*	40	-	-	-	H10	H17	H11	-	-	-	80	H15	H15	H15	H15	-	
1½ G 3	900 x 300	049*	520*	054*	114*	40	-	-	-	-	H17	H11	-	-	-	80	H15	H15	H15	H15	H16	
2 G 3	1500 x 300	050*	521*	055*	115*	50	-	-	-	-	-	-	H12	H13	-	80	H15	H15	H15	H15	H16	
2 G 3	2500 x 300	051*	522*	056*	116*	50	-	-	-	-	-	-	-	-	H14	80	H15	H15	H15	H15	H16	
1½ H 3	300L x 150	143*	524*	-	153*	40	H47	H47	H47	-	-	-	-	-	-	80	H15	H15	H15	H15	-	
2 H 3	300 x 150	144*	525*	148*	154*	50	-	-	H47	H10	-	-	-	-	-	80	H15	H15	H15	H15	-	
2 H 3	600 x 150	-	-	149*	-	50	-	-	H47	H10	-	-	-	-	-	80	H15	H15	H15	H15	-	
2 H 3	600 x 150	145*	526*	-	155*	50	-	-	H47	H10	-	-	-	-	-	80	H15	H15	H15	H15	H16	
2 H 3	900 x 150	146*	527*	150*	156*	50	-	-	-	-	H17	H11	-	-	-	80	H15	H15	H15	H15	H16	
2 H 3	1500 x 300	147*	528*	151*	157*	50	-	-	-	-	-	H11	H12	-	-	80	H15	H15	H15	H15	H16	
2 J 3	300L x 150	163*	530*	-	197*	50	H47	H47	H47	H10	-	-	-	-	-	80	H15	H15	H15	H15	-	
3 J 4	600 x 150	165*	532*	169*	199*	80	-	-	H47	H10	-	-	-	-	-	100	H51	H51	H51	H51	-	
3 J 4	900 x 150	166*	533*	170*	200*	80	-	-	-	-	H17	H11	-	-	-	100	H51	H51	H15	H15	H16	
3 J 4	1500 x 300	167*	534*	171*	201*	80	-	-	-	-	-	H11	H12	-	-	100	H51	H51	H15	H15	H16	

¹⁾ 300L x 150 is available with the same Article-No.

Note: Flange drillings and facings meet always the requirements of mentioned flange standards. Flange thickness and outer diameter may be thicker and wider than flange standard. For correct selection of bolting please refer to LDeS 3007.01. The inlet pressure size CL150 is not considered, please switch to inlet pressure size CL300 or CL300L.

Type 526

Flange drillings according to DIN EN 1092-1

Standard API 526		Article number					Flange drillings														
Valve size	Flange class	Material				Inlet	Inlet								Outlet	Outlet					
		WCB 5262.	LCB 5263.	WC6 5267.	CF8M 5264.	NPS [DN]	PN 10/16	PN 25	PN 40	PN 63	PN 100	PN 160	PN 250	PN 320	PN 400	NPS [DN]	PN 10	PN 16	PN 25	PN 40	PN 63
3 K 4	300 x 150 ¹⁾	203*	536*	207*	212*	80	H47	H47	H47	H10	-	-	-	-	-	100	H51	H51	H15	H15	-
3 K 4	600 x 150	204*	537*	208*	213*	80	-	-	H47	H10	-	-	-	-	-	100	H51	H51	H15	H15	-
3 K 6	900 x 150	-	-	209*	-	80	-	-	-	H10	H17	H11	H12	-	-	150	H51	H51	-	-	-
3 K 6	900 x 150	205*	538*	-	214*	80	-	-	-	H10	H17	H11	H12	-	-	150	H51	H51	H15	H15	-
3 K 6	1500 x 300	206*	539*	210*	215*	80	-	-	-	H10	H17	H11	H12	-	-	150	H51	H51	H15	H15	-
3 L 4	300L x 150	233*	541*	-	243*	80	H47	H47	H47	H10	-	-	-	-	-	100	H15	H15	H15	H15	-
4 L 6	300 x 150	234*	542*	238*	244*	100	H45	H47	H47	H10	-	-	-	-	-	150	H51	H51	-	-	-
4 L 6	600 x 150	235*	543*	239*	245*	100	-	-	-	H10	H17	H11	-	-	-	150	H51	H51	-	-	-
4 L 6	900 x 150	236*	544*	240*	246*	100	-	-	-	-	H17	H11	-	-	-	150	H51	H51	-	-	-
4 L 6	1500 x 300	237*	545*	241*	-	100	-	-	-	-	-	-	H12	-	-	150	H51	H51	-	-	-
4 M 6	300 x 150 ¹⁾	581*	547*	584*	588*	100	H45	H47	H47	H10	-	-	-	-	-	150	H51	H51	-	-	-
4 M 6	600 x 150	582*	548*	585*	589*	100	-	-	-	H10	H17	H11	-	-	-	150	H51	H51	-	-	-
4 M 6	900 x 150	583*	549*	586*	-	100	-	-	-	-	H17	H11	-	-	-	150	H51	H51	-	-	-
4 N 6	300L x 150 ¹⁾	591*	551*	594*	598*	100	H45	H47	H47	H10	-	-	-	-	-	150	H51	H51	-	-	-
4 N 6	600 x 150	592*	552*	595*	599*	100	-	-	-	-	H17	H11	-	-	-	150	H51	H51	-	-	-
4 N 6	900 x 150	593*	553*	596*	-	100	-	-	-	-	-	-	-	-	-	150	H51	H51	-	-	-
4 P 6	300L x 150	646*	555*	-	654*	100	H45	H47	H47	-	-	-	-	-	-	150	H51	H51	-	-	-
4 P 6	300 x 150	647*	556*	550*	655*	100	-	H47	H47	-	-	-	-	-	-	150	H51	H51	-	-	-
4 P 6	600 x 300	648*	557*	551*	656*	100	-	-	-	H10	H17	-	-	-	-	150	H51	H51	-	-	-
4 P 6	900 x 300	649*	558*	552*	-	100	-	-	-	-	-	H11	-	-	-	150	H51	H51	-	-	-
6 Q 8	300 x 150	658*	560*	660*	663*	150	H45	H47	H47	-	-	-	-	-	-	200	H50	H51	H52	-	-
6 Q 8	600 x 150	659*	561*	661*	664*	150	-	-	-	H10	H17	-	-	-	-	200	H50	H51	H52	-	-
6 R 8	300L x 150	666*	563*	669*	672*	150	H45	H47	H47	H10	-	-	-	-	-	200	H50	H51	H52	-	-
6 R 10	300 x 150	667*	564*	-	673*	150	-	-	H47	H10	-	-	-	-	-	250	H50	H51	-	-	-
6 R 10	600 x 150	668*	565*	670*	674*	150	-	-	H47	H10	H17	-	-	-	-	250	H50	H51	-	-	-
8 T 10	300 x 150 ¹⁾	676*	567*	677*	679*	200	-	H46	H47	-	-	-	-	-	-	250	H50	H51	-	-	-

¹⁾ 300L x 150 is available with the same Article-No.

Note: Flange drillings and facings meet always the requirements of mentioned flange standards. Flange thickness and outer diameter may be thicker and wider than flange standard. For correct selection of bolting please refer to LDeS 3007.01. The inlet pressure size CL150 is not considered, please switch to inlet pressure size CL300 or CL300L.

Type 526

Outlet flange rating class 300

For customer specifications requiring a flange rating class 300 at the outlet LESER provides Type 526 with outlet flange rating class 300. For ordering please state the article numbers and option codes which are listed in the table.

Orifice	Valve size Inlet x Outlet	Body material	300 x 300		600 x 300	
	Center to face a x b		Art. No.	Option code	Art. No.	Option code
D	1" x 2"	WCB 1.0619	5262.002X	H65, H80, S01	5262.003X	H65, H80, S01
		CF8M 1.4408	5264.011X	H65, H80, S01	5264.012X	H65, H80, S01
	4 1/8" x 4 1/2"	WC6 1.7357	5267.006X	H65, H80, S01	5267.007X	H65, H80, S01
		LCB	5263.501X	H65, H80, S01	5263.502X	H65, H80, S01
D	1 1/2" x 2"	WCB 1.0619	5262.004X	H65, H80	5262.004X	H67, H80
		CF8M 1.4408	5264.013X	H65, H80	5264.013X	H67, H80
	4 1/8" x 5 1/2"	WC6 1.7357	5267.008X	H65, H80	5267.008X	H67, H80
		LCB	5263.503X	H65, H80	5263.503X	H67, H80
E	1" x 2"	WCB 1.0619	5262.016X	H65, H80, S01	5262.017X	H65, H80, S01
		CF8M 1.4408	5264.025X	H65, H80, S01	5264.026X	H65, H80, S01
	4 1/8" x 4 1/2"	WC6 1.7357	5267.020X	H65, H80, S01	5267.021X	H65, H80, S01
		LCB	5263.506X	H65, H80, S01	5263.507X	H65, H80, S01
E	1 1/2" x 2"	WCB 1.0619	5262.018X	H65, H80	5262.018X	H67, H80
		CF8M 1.4408	5264.027X	H65, H80	5264.027X	H67, H80
	4 1/8" x 5 1/2"	WC6 1.7357	5267.022X	H65, H80	5267.022X	H67, H80
		LCB	5263.508X	H65, H80	5263.508X	H67, H80
F	1 1/2" x 2"	WCB 1.0619	5262.031X	H65, H80	5262.032X	H67, H80
		CF8M 1.4408	5264.041X	H65, H80	5264.041X	H67, H80
	4 7/8" x 6"	WC6 1.7357	5267.035X	H65, H80	5267.036X	H67, H80
		LCB	5263.512X	H65, H80	5263.512X	H67, H80
G	1 1/2" x 3"	WCB 1.0619	5262.049X	H65, H80	5262.049X	H67, H80
		CF8M 1.4408	5264.114X	H65, H80	5264.114X	H67, H80
	4 7/8" x 6 1/2"	WC6 1.7357	5267.054X	H65, H80	5267.054X	H67, H80
		LCB	5263.520X	H65, H80	5263.520X	H67, H80
H	2" x 3"	WCB 1.0619	5262.146X	H65, H80	5262.146X	H67, H80
		CF8M 1.4408	5264.156X	H65, H80	5264.156X	H67, H80
	6 1/16" x 6 3/8"	WC6 1.7357	5267.150X	H65, H80	5267.150X	H67, H80
		LCB	5263.527X	H65, H80	5263.527X	H67, H80
J	3" x 4"	WCB 1.0619	5262.166X	H65, H80	5262.166X	H67, H80
		CF8M 1.4408	5264.200X	H65, H80	5264.200X	H67, H80
	7 1/4" x 7 1/8"	WC6 1.7357	5267.170X	H65, H80	5267.170X	H67, H80
		LCB	5263.533X	H65, H80	5263.533X	H67, H80

Grey marked safety valves: The center to face dimensions are equal to API standard 526 with outlet flange rating class 150.

Type 526

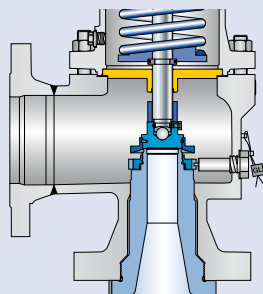
Outlet flange rating class 300

Orifice	Valve size Inlet x Outlet	Body material	300 x 300		600 x 300	
	Center to face a x b		Art. No.	Option code	Art. No.	Option code
K	3" x 4"	WCB 1.0619	5262.204X	H65, H80	5262.204X	H67, H80
		CF8M 1.4408	5264.213X	H65, H80	5264.213X	H67, H80
	7 1/4" x 7 1/8"	WC6 1.7357	5267.208X	H65, H80	5267.209X	H67, H80
		LCB	5263.537X	H65, H80	5263.537X	H67, H80
L	4" x 6"	WCB 1.0619	5262.235X	H65, H80	5262.235X	H67, H80
		CF8M 1.4408	5264.245X	H65, H80	5264.245X	H67, H80
	7 3/4" x 8 1/2"	WC6 1.7357	5267.239X	H65, H80	5267.239X	H67, H80
		LCB	5263.543X	H65, H80	5263.543X	H67, H80
M	4" x 6"	WCB 1.0619	5262.582X	H65, H80	5262.582X	H67, H80
		CF8M 1.4408	5264.589X	H65, H80	5264.589X	H67, H80
	7 3/4" x 8 1/2"	WC6 1.7357	5267.585X	H65, H80	5267.585X	H67, H80
		LCB	5263.548X	H65, H80	5263.548X	H67, H80
N	4" x 6"	WCB 1.0619	5262.592X	H65, H80	5262.592X	H67, H80
		CF8M 1.4408	5264.599X	H65, H80	5264.599X	H67, H80
	7 3/4" x 8 1/2"	WC6 1.7357	5267.595X	H65, H80	5267.595X	H67, H80
		LCB	5263.552X	H65, H80	5263.552X	H67, H80
P	4" x 6" Welded outlet flange	WCB 1.0619	5262.647X	S01	5262.648X	S01
		CF8M 1.4408	5264.655X	S01	5262.656X	S01
	8 7/8" x 11 5/8"	WC6 1.7357	5267.650X	S01	5262.651X	S01
		LCB	5263.556X	S01	5262.557X	S01
Q	6" x 8" Welded outlet flange	WCB 1.0619	5262.658X	S01	5262.658X	S01
		CF8M 1.4408	5264.663X	S01	5264.663X	S01
	9 7/16" x 12"	WC6 1.7357	5267.660X	S01	5267.660X	S01
		LCB	5263.560X	S01	5263.560X	S01
R	6" x 10" Welded outlet flange	WCB 1.0619	5262.667X	S01	5262.667X	S01
		CF8M 1.4408	5264.673X	S01	5264.673X	S01
	9 7/16" x 13 1/5"	WC6 1.7357	5267.670X	S01	5267.670X	S01
		LCB	5263.564X	S01	5263.564X	S01
T	8" x 10" Welded outlet flange	WCB 1.0619	5262.676X	S01		
		CF8M 1.4408	5264.679X	S01		
	10 7/8" x 13 1/5"	WC6 1.7357	5267.677X	S01		
		LCB	5263.567X	S01		

Type 526

Outlet flange rating class 300

Type 526

Orifice	900 x 300		1500 x 300		2500 x 300							
	Art. No.	Option code	Art. No.	Option code	Art. No.	Option code						
D	Outlet flange rating class 300 is standard flange rating class acc. to API standard 526											
D												
E												
E												
F												
G												
H							5262.147X	Class 1500 x 300				
							5264.157X					
							5267.151X					
							5263.528X					
J	5262.166X	H68, H80										
	5264.200X	H68, H80										
	5267.170X	H68, H80										
	5263.533X	H68, H80										
K	5262.204X	H68, H80										
	5264.213X	H68, H80										
	5267.209X	H68, H80										
	5263.537X	H68, H80										
L	Welded outlet flange rating class 300 available on request.											
M			Design details Orifice D and E: 1 D 2 and 1 E 2 class 300 x 300 and 600 x 300 are realised by a modification of Type 458 DN 25 / 1". Orifice L: 4 L 6 class 900 x 300 and 1500 x 300 can be realised by a welded outlet flange on request. Orifice M – P: 4 M 6, 4 N 6 and 4 P 6 class 900 x 300 can be realised by a welded outlet flange on request. Orifice P – T: 4 P 6 up to 8 T 10 are realised by a welded outlet flange class 300. Center to face: The center to face dimensions a and b for LESER Type 526 with outlet flange rating class 300 are not specified in API Standard 526. The actual dimensions are listed in the table. They differ from the dimensions which are specified in API 526 for safety valves with outlet flange class 150. Exceptions see page 84.									
N												
P												
Q												
T												

Type 526 Flange facings

Acc. to DIN EN 1092						
Flange facing (see also WI 3313.40)		Inlet		Outlet		Remark
		PN 10 – PN 40	PN 63 – PN 400	PN 10 – PN 40	PN 63	
Raised face	Type B1	*	–	*	–	Facing: Rz = 12.5 – 50
	Type B2	L36	*	L38	*	Facing: Rz = 3.2 – 12.5
Tongue face C ¹⁾		S05		H92		
Groove face D ¹⁾		S05		H91		
Male face E		S05		H98		
Female face F		S05		H99		
O-ring male face G		S05		S01		
O-ring female face H		S05		S01		

Acc. to ASME B16.5												
Body material	Inlet	Outlet	Smooth finish ²⁾		Serrated finish		RTJ-Groove					
			Inlet	Outlet	Inlet	Outlet	Inlet			Outlet		
			Option code	Option code	CL300	CL600	CL900	CL1500	CL2500	CL150	CL300	
All	All	All	L52	L53	*	*	L58					H63

¹⁾ LESER manufactures the groove at flanged valves by milling. If a customer demands a turned surface in the soil of the groove according to DIN 2512 and / or DIN EN 1092-1 an additional option code is necessary: "S01: bottom of the groove drilled".

²⁾ Smooth finish is not defined in the effective standards.

Note: Flange drillings and facings meet always the requirements of mentioned flange standards.
Flange thickness and outer diameter may vary from flange standard.

Stud-bolts length for flange connection inlet and outlet

All LESER safety valves Type 526 need at the inlet side longer stud-bolts for the flange connections as stated in ASME B16.5, due to the full nozzle design. Furthermore, due to the actual castings the stud bolts at the outlet can differ from ASME B16.5 as well. LESER state the stud-bolt length in LDeS 3001.29. For calculation of stud-bolts length the measure "s" stated on page 16 – 19 can be used.

Connection acc. to API Standard 526 – 1984				
Orifice	Valve size		Flange rating class	Option code
	Inlet	Outlet	Inlet	
D / E	1 1/2"	3", drilled 2 1/2"	CL2500	S01
F	1 1/2"	3", drilled 2 1/2"	CL900	S01
G	1 1/2"	3", drilled 2 1/2"	CL150 – 900	S01
J	2 1/2"	4"	CL900 – 1500	S01
K	2 1/2"	6"	CL900 – 1500	S01

General information concerning flange drillings and flange facings	
Dimensions	Flange dimensions of LESER Type 526 exceed flange dimension as mentioned in ASME / ANSI B16.5 and DIN EN 1092. This exceedance is in accordance with API Standard 526, Section 2.4. Dimensions: "For some valve designs, the inlet raised face height may substantially exceed the nominal dimension specified in ASME / ANSI B16.5 (and DIN EN 1092). Consult the manufacturer for exact dimension." The reason for this exceedance is: – height of nozzle placed in the inlet of valve – due to the outer diameter of the nozzle thread flange thickness has to be thicker than normal ASME / ANSI B16.5 and DIN EN 1092 dimension to achieve the required pressure rating
Multiple pressure rating	The flange standard shows the same drilling, facing and outer diameter for several pressure ratings, e.g. PN 16 up to PN 40. Due to the pressure rating of the casting LESER fulfills the requirements for flange thickness e.g. of PN 16 but not PN 40.
Smooth Finish	The effective MSS SP-6 (Edition 2001) does not mention "smooth finish" anymore. In MSS SP-6 (Edition 1980) "smooth finish" is defined for finishes of contact flanges as "250 μinch (6.3 μm) AARH max." LESER supplies flange facings according to ASME B16.5 – 1996, paragraph 6.4.4.3: "Either a serrated concentric or serrated spiral finish resulting in service finish from 125 μinch to 250 μinch average roughness shall be furnished." This finish meets the requirements of MSS SP-6 (Edition 1980), which is not valid anymore!
Stock Finish	Stock finish is not defined in any technical standard. If purchase orders show "stock finish" LESER supplies standard facing according to DIN or ASME (marked with * in table "Flange facings" of each valve series).

Type 526 LESER Original Spare Parts Kits

The LESER Spare Parts Kits contain all the parts recommended for the regular maintenance of a LESER safety valve.



Content

Item	Component	Material	Quantity
7.5	Securing ring (Disc)	1.4571	1
		316Ti	
14	Split ring	1.4404	2
		316L	
57	Ball	1.4401	15
		316	
59	Securing ring ¹⁾	1.4571	1
		316Ti	
60	Gasket ²⁾	Graphite / 1.4401	3
		Graphite / 316	
61	Ball	1.4401	1
		316	
66	Screw	1.4401	1
		316	
73.2	Gasket (Lock screw)	1.4401	1
		316	

¹⁾ Kits 5012.1118 and 5012.1119: Kits don't contain securing ring due to re-usable ring bush in the safety valve.

²⁾ Kit 5012.1109: Three additional gaskets are enclosed for use in type 5267 (WC6).

Article numbers

Orifice	Inlet flange rating class of the safety valve						
	CL150	CL300L	CL300	CL600	CL900	CL1500	CL2500
D	5012.1101				5012.1102		
E	5012.1101				5012.1102		
F	5012.1103						
G	5012.1104					5012.1121	
H	5012.1105		5012.1106				
J	5012.1107		5012.1108				
K	5012.1109				5012.1110		
L	5012.1111		5012.1112				
M	5012.1113						
N	5012.1114						
P	5012.1115		5012.1116				
Q	5012.1117						
R	5012.1118		5012.1119				
T	5012.1120						

Type 526 Approvals

Orifice		D	E - T
Europe			
Coefficient of discharge K_{dr}			
PED/DIN EN ISO 4126-1 12/2013	Approval No.	07 202 1111Z0012/2/26	
	S/G	0.45	0.80
	L	0.32	0.58
Germany			
Coefficient of discharge α_w			
PED/AD 2000-Merkblatt A2 07/2012	Approval No.	TÜV SV 1082	
	S/G	0.45	0.80
	L	0.32	0.58
United States			
Coefficient of discharge K			
ASME Sec. VIII Div. 1	Approval No.	M37246	M37224
	S/G	Rated slope acc. to ASME VIII. Div. 1 UG-131 (d) (2) G: 1.99 SCFM/psia S: 5.59 lb/hr/psia	0.801
	Approval No.	M37257	M37235
	L	Rated slope acc. to ASME VIII. Div. 1 UG-131 (d) (2) 3.11 GPM/ $\sqrt{\text{psid}}$	0.579
Canada			
Coefficient of discharge K			
Canada: CRN	Approval No.	For current approval no. see www.leser.com	
	S/G	Rated slope acc. to ASME VIII. Div. 1 UG-131 (d) (2) G: 1.99 SCFM/psia S: 5.59 lb/hr/psia	0.801
	L	Rated slope acc. to ASME VIII. Div. 1 UG-131 (d) (2) 3.11 GPM/ $\sqrt{\text{psid}}$	0.579
China			
Coefficient of discharge α_w			
AQSIQ	Approval No.	For current approval no. see www.leser.com	
	S/G	0.45	0.80
	L	0.32	0.58
Eurasian Custom Union			
Coefficient of discharge α_w			
EAC	Approval No.	For current approval no. see www.leser.com	
	S/G	0.45	0.80
	L	0.32	0.58
Classification societies		Homepage	
Bureau Veritas	BV	www.bureauveritas.com	
Det Norske Veritas	DNV	www.dnv.com	
Germanischer Lloyd	GL	www.gl-group.com	
Lloyd's register EMEA	LREMEA	www.lr.org	
U.S. Coast Guard	U.S.C.G	www.uscg.org	
ClassNK NIPPON Kaiji Kyokai (Japan)		www.classnk.or.jp	
		The valid certification number is changed with every renewal.	
		For a sample certificate including the valid certification number see www.leser.com	

Type 526

Capacities – Steam

Metric units

Capacities for saturated steam according to AD 2000-Merkblatt A2, based on set pressure plus 10 % overpressure.
 Capacities at 1 bar (14.5 psig) and below are based on 0.1 bar (1.45 psig) overpressure.

AD 2000-Merkblatt A2 [kg/h]

Orifice	D	E	F	G	H	J	K	L	M	N	P	Q	R	T
Actual Orifice diameter d_0 [mm]	14.0	14.0	18.0	22.5	28.3	36.0	43.0	53.5	60.3	66.0	80.0	105.5	126.0	161.5
Actual Orifice area A_0 [mm ²]	154	154	254	398	629	1018	1452	2248	2856	3421	5027	8742	12568	20485
LEO _{s/g} [inch ²]	0.111	0.196	0.324	0.506	0.801	1.296	1.849	2.863	3.637	4.357	6.401	11.132	16.004	26.085
Set pressure [bar]	Capacities [kg/h]													
0.2	19	54	89	139	221	357	509	788	1001	1199	1762	3065	4372	7182
0.5	42	90	149	232	367	595	848	1313	1668	1999	2937	5107	7285	11968
1	71	134	221	345	546	883	1260	1951	2479	2969	4363	7587	10823	17780
2	120	217	359	561	888	1437	2050	3174	4032	4830	7096	12341	17603	28920
3	166	296	489	764	1209	1956	2791	4320	5488	6575	9660	16799	23962	39366
4	208	369	610	953	1507	2439	3480	5387	6843	8198	12045	20948	29879	49088
5	248	442	730	1141	1805	2920	4166	6449	8193	9815	14420	25078	35770	58766
6	289	514	850	1328	2101	3399	4850	7508	9537	11426	16787	29194	41642	68413
7	329	585	967	1511	2390	3867	5517	8540	10849	12997	19096	33210	47371	77824
8	369	657	1086	1697	2684	4343	6196	9592	12185	14597	21447	37299	53202	87404
9	410	729	1205	1882	2978	4818	6874	10642	13519	16195	23795	41382	59026	96973
10	450	801	1323	2068	3271	5293	7552	11691	14852	17792	26141	45461	64845	106532
12	531	872	1561	2439	3858	6243	8907	13788	17515	20983	30829	53615	76475	125639
14	610	944	1793	2802	4432	7172	10233	15841	20123	24107	35419	61598	87862	144347
16	691	1085	2030	3172	5018	8120	11584	17933	22781	27291	40097	69733	99467	163411
18	771	1228	2267	3542	5604	9068	12938	20027	25442	30479	44781	77879	111085	182499
20	852	1371	2505	3913	6191	10018	14293	22125	28107	33672	49473	86038	122723	201618
22	931	1515	2735	4273	6760	10940	15608	24161	30693	36770	54024	93952	134185	220448
24	1012	1654	2973	4645	7349	11891	16965	26262	33363	39968	58723	102125	145784	239504
26	1093	1798	3211	5018	7938	12845	18327	28369	36039	43175	63434	110318	157406	258598
28	1174	1943	3451	5392	8529	13802	19692	30483	38724	46391	68159	118536	169055	277736
30	1256	2087	3691	5766	9122	14762	21061	32602	41417	49617	72899	126779	180734	296922
32	1338	2233	3931	6143	9718	15725	22435	34729	44118	52853	77654	135048	192444	316161
34	1416	2378	4161	6502	10286	16644	23747	36760	46698	55944	82195	142945	204189	335457
36	1498	2517	4403	6879	10883	17611	25126	38895	49411	59194	86970	151250	215971	354813
38	1581	2663	4646	7259	11483	18582	26511	41039	52134	62457	91764	159586	227791	
40	1664	2810	4889	7639	12085	19557	27901	43191	54868	65732	96576	167955	239653	
50	2083	2958	6123	9567	15134	24490	34940	54088	68711	82315	120941	210067	299636	
60	2506	3704	7364	11506	18203	29456	42025	65055	82643	99006	145463	253016	360897	
70	2945	4455	8656	13525	21396	34624	49398	76467	97141			297008		
80	3388	5236	9957	15558	24613	39828	56823	87962						
90	3854	6023	11326	17697	27997	45305	64636	100056						
100	4324	6852	12708	19856	31413	50832	72522	112264						
120	5349	7688	15720	24562	38858	62880	89710							
140	6505	9510	19117	29870	47255	76468	109096							
160	7842	11565	23045	36008	56965	92180								
180	9527	13941	27996	43744	69203	111985								
200	11793	16936	34657	54151										

Grey marked: LESER Type 526 high pressure design. Set pressures and capacities exceed the limits of API 526

Type 526 Capacities – Steam

US units

Capacities for saturated steam according to ASME Section VIII (UV), based on set pressure plus 10% overpressure.
Capacities at 2.07 bar (30 psig) and below are based on 0.207 bar (3 psig) overpressure.

ASME Section VIII [lb/h]

Orifice	D	E	F	G	H	J	K	L	M	N	P	Q	R	T
Actual Orifice diameter d_0 [inch]	0.551	0.551	0.709	0.886	1.11	1.42	1.69	2.11	2.37	2.6	3.15	4.15	4.96	6.36
Actual Orifice area A_0 [inch ²]	0.239	0.239	0.394	0.616	0.975	1.58	2.25	3.48	4.43	5.30	7.79	13.55	19.33	31.75
LEO _{SG} [inch ²]	0.111	0.196	0.324	0.506	0.801	1.296	1.849	2.863	3.637	4.357	6.401	11.132	16.004	26.085
Set pressure [psig]	Capacities [lb/h]													
15	183	321	531	830	1313	1981	3032	4694	5963	7144	10496	18253	26036	42774
20	211	371	613	957	1515	2415	3497	5413	6876	8237	12103	21048	30022	49323
30	266	469	775	1212	1917	3239	4425	6850	8702	10425	15317	26637	37995	62421
40	328	577	954	1491	2359	4001	5446	8431	10711	12831	18852	32786	46765	76829
50	389	686	1133	1771	2802	4788	6468	10012	12719	15237	22387	38934	55535	91237
60	451	794	1312	2051	3244	5520	7489	11593	14728	17644	25923	45082	64305	105644
70	512	902	1491	2330	3686	6251	8511	13174	16736	20050	29458	51231	73075	120052
80	574	1010	1670	2610	4129	6980	9532	14756	18745	22456	32994	57379	81845	134460
90	635	1119	1849	2889	4571	7686	10553	16337	20753	24862	36529	63527	90614	148868
100	697	1227	2028	3169	5014	8411	11575	17918	22762	27269	40064	69676	99384	163276
120	820	1444	2386	3728	5898	9857	13618	21080	26779	32081	47135	81973	116924	192092
140	943	1660	2744	4288	6783	11301	15660	24242	30796	36894	54206	94269	134464	220907
160	1066	1877	3102	4847	7668	12744	17703	27404	34814	41706	61276	106566	152004	249723
180	1189	2093	3460	5406	8553	14147	19746	30567	38831	46519	68347	118863	169544	278539
200	1312	2310	3818	5966	9438	15585	21789	33729	42848	51331	75418	131159	187084	307355
220	1435	2526	4176	6525	10323	17024	23831	36891	46865	56144	82489	143456	204623	336170
240	1558	2743	4534	7084	11207	18464	25874	40053	50882	60956	89559	155753	222163	364986
260	1681	2959	4892	7644	12092	19905	27917	43216	54899	65769	96630	168050	239703	393802
280	1804	3176	5250	8203	12977	21347	29960	46378	58917	70581	103701	180346	257243	422618
300	1927	3392	5608	8762	13862	22792	32003	49540	62934	75394	110772	192643	274783	451433
320	2050	3609	5966	9322	14747	24172	34045	52702	66951	80206	117842	204940	292354	480301
340	2173	3825	6324	9881	15632	25617	36088	55864	70968	85019	124913	217237	309894	509117
360	2296	4042	6682	10440	16516	27065	38131	59027	74985	89832	131984	229533	327434	537932
380	2419	4259	7040	10999	17401	28515	40174	62189	79002	94644	139055	241830	344974	566748
400	2542	4475	7398	11559	18286	29969	42217	65351	83020	99457	146125	254127	362514	595564
420	2665	4692	7756	12118	19171	31425	44259	68513	87037	104269	153196	266424	380054	624380
440	2788	4908	8114	12677	20056	32884	46302	71676	91054	109082	160267	278720	397593	653195
460	2911	5125	8471	13237	20940	34347	48345	74838	95071	113894	167338	291017	415133	682011
480	3034	5341	8829	13796	21825	35814	50388	78000	99088	118707	174408	303314	432673	710827
500	3157	5558	9187	14355	22710	37179	52430	81162	103105	123519	181479	315610	450213	748030
600	3772	6641	10977	17152	27134	44566	62644	96973	123191	147582	216833	377094	537912	
700	4387	7723	12767	19948	31558	52057	72858	112784	143277	171644	252186	438600	625611	
800	5002	8806	14557	22745	35983	59498	83072	128596	163363	195707	287540	500084	713311	
900	5617	9889	16347	25541	40407	67216	93286	144407	183449	219770	322894	561567	801010	
1000	6232	10971	18136	28338	44831	75076	103500	160218	203534	243832	358248	623051		
1100	6847	12054	19926	31134	49255	82854	113714	176029	223620					
1200	7462	13137	21716	33931	53679	91018	123928	191840						
1300	8077	14219	23506	36728	58103	99369	134142	207651						
1400	8680	15281	25260	39469	62439	107926	144153	223148						
1500	9352	16463	27215	42523	67272	116375	155310	240420						
2000	12930	22763	37628	58794	93013	164706	214738							
2500	17111	30123	49795	77805	123088	227979								

Grey marked: LESER Type 526 high pressure design. Set pressures and capacities exceed the limits of API 526

Type 526

Capacities – Air

Metric units

Capacities for air according to AD 2000-Merkblatt A2, based on set pressure plus 10 % overpressure at 0 °C and 1013 mbar. Capacities at 1 bar (14.5 psig) and below are based on 0.1 bar (1.45 psig) overpressure.

AD 2000-Merkblatt A2 [m³/h]

Orifice	D	E	F	G	H	J	K	L	M	N	P	Q	R	T
Actual Orifice diameter d ₀ [mm]	14.0	14.0	18.0	22.5	28.3	36.0	43.0	53.5	60.3	66.0	80.0	105.5	126.0	161.5
Actual Orifice area A ₀ [mm ²]	154	154	254	398	629	1018	1452	2248	2856	3421	5027	8742	12568	20485
LEO _{s/g} [inch ²]	0.111	0.196	0.324	0.506	0.801	1.296	1.849	2.863	3.637	4.357	6.401	11.132	16.004	26.085
Set pressure [bar]	Capacities [m ³ /h]													
0.2	22	63	103	161	255	413	590	913	1159	1389	2041	3549	5062	8317
0.5	50	106	175	273	432	699	997	1543	1960	2348	3450	5999	8557	14058
1	84	159	263	411	651	1053	1502	2326	2954	3539	5200	9044	12900	21192
2	145	262	434	678	1072	1735	2476	3833	4869	5833	8570	14905	21260	34927
3	203	361	597	934	1477	2390	3410	5278	6705	8033	11802	20525	29277	48098
4	255	454	750	1172	1854	3000	4280	6625	8417	10083	14814	25764	36749	60374
5	307	546	902	1410	2231	3610	5150	7973	10128	12133	17827	31002	44221	72650
6	359	638	1055	1648	2608	4220	6020	9320	11839	14183	20839	36241	51693	84925
7	411	730	1207	1887	2985	4830	6891	10667	13551	16234	23851	41479	59165	97201
8	463	823	1360	2125	3362	5440	7761	12014	15262	18284	26863	46718	66637	109477
9	515	915	1512	2363	3739	6050	8631	13361	16973	20334	29875	51956	74109	121752
10	567	1007	1665	2601	4116	6660	9501	14708	18685	22384	32887	57195	81581	134028
12	670	1099	1970	3078	4869	7880	11242	17402	22107	26484	38912	67672	96526	158579
14	774	1192	2275	3555	5623	9100	12982	20097	25530	30585	44936	78149	111470	183131
16	878	1376	2580	4031	6377	10320	14723	22791	28953	34685	50961	88626	126414	207682
18	982	1561	2885	4508	7131	11539	16463	25485	32375	38785	56985	99102	141358	232233
20	1085	1745	3190	4984	7885	12759	18204	28179	35798	42886	63009	109579	156302	256785
22	1189	1930	3495	5461	8639	13979	19944	30874	39221	46986	69034	120056	171226	281303
24	1293	2114	3800	5937	9393	15199	21685	33568	42643	51086	75058	130533	186167	305848
26	1397	2299	4105	6414	10147	16419	23425	36262	46066	55187	81082	141010	201107	330393
28	1501	2483	4410	6890	10900	17639	25166	38956	49489	59287	87107	151487	216048	354939
30	1604	2668	4715	7367	11654	18859	26906	41651	52911	63387	93131	161964	230988	379484
32	1708	2852	5020	7843	12408	20079	28647	44345	56334	67488	99155	172441	245928	404029
34	1812	3037	5325	8320	13162	21299	30387	47039	59757	71588	105180	182918	260869	428575
36	1916	3221	5630	8796	13916	22519	32128	49733	63179	75688	111204	193395	275809	453120
38	2019	3406	5935	9273	14670	23739	33868	52428	66602	79789	117228	203872	290750	
40	2123	3590	6240	9749	15424	24959	35608	55122	70025	83889	123253	214349	305690	
50	2642	3775	7765	12132	19193	31058	44311	68593	87138	104390	153374	266683	380393	
60	3161	4697	9289	14515	22963	37158	53013	82064	104251	124892	183496	319055	455095	
70	3680	5620	10814	16898	26732	43258	61716	95536	121365			371427		
80	4199	6542	12339	19280	30501	49357	70418	109007						
90	4718	7465	13864	21663	34271	55457	79120	122478						
100	5237	8387	15389	24046	38040	61557	87823	135949						
120	6274	9309	18439	28811	45579	73756	105227							
140	7312	11154	21489	33576	53118	85955	122632							
160	8350	12999	24539	38342	60657	98155								
180	9388	14844	27588	43107	68195	110354								
200	10426	16689	30638	47872										
220	11463	18534	33688	52638										
240	12501	20379	36738	57403										
260	13539	22224	39788											
280	14577	24069	42838											
300	15614	25914	45887											
350	18209	27759												
400	20803	32371												

Grey marked: LESER Type 526 high pressure design. Set pressures and capacities exceed the limits of API 526

Type 526

Capacities – Air

US units

Capacities for air according to ASME Section VIII (UV), based on set pressure plus 10 % overpressure at 16 °C (60 °F).
 Capacities at 2.07 bar (30 psig) and below are based on 0.207 bar (3 psig) overpressure.

ASME Section VIII [S.C.F.M.]

Orifice	D	E	F	G	H	J	K	L	M	N	P	Q	R	T
Actual Orifice diameter d_o [inch]	0.551	0.551	0.709	0.886	1.11	1.42	1.69	2.11	2.37	2.6	3.15	4.15	4.96	6.36
Actual Orifice area A_o [inch ²]	0.239	0.239	0.394	0.616	0.975	1.58	2.25	3.48	4.43	5.30	7.79	13.55	19.33	31.75
LEO _{S/G} [inch ²]	0.111	0.196	0.324	0.506	0.801	1.296	1.849	2.863	3.637	4.357	6.401	11.132	16.004	26.085
Set pressure [psig]	Capacities [S.C.F.M.]													
15	65.0	115	189	296	468	757	1080	1672	2124	2545	3739	6502	9275	15237
20	75.0	132	218	341	540	873	1246	1928	2449	2934	4311	7498	10695	17570
30	95.0	167	276	431	683	1105	1576	2440	3100	3714	5456	9489	13535	22236
40	117	206	340	531	840	1360	1940	3003	3815	4571	6715	11679	16659	27368
50	139	245	403	631	998	1615	2304	3566	4530	5428	7975	13869	19783	32501
60	161	283	467	730	1156	1870	2668	4129	5246	6285	9234	16060	22907	37633
70	183	322	531	830	1313	2125	3032	4692	5961	7142	10493	18250	26031	42765
80	205	361	594	929	1471	2380	3396	5256	6677	8000	11753	20440	29155	47898
90	227	399	658	1029	1628	2635	3759	5819	7392	8857	13012	22630	32279	53030
100	249	438	722	1128	1786	2891	4123	6382	8107	9714	14271	24821	35403	58163
120	293	515	849	1328	2101	3401	4851	7508	9538	11428	16790	29201	41651	68428
140	336	592	976	1527	2416	3911	5579	8635	10969	13143	19309	33582	47899	78693
160	380	670	1104	1726	2732	4421	6306	9761	12400	14857	21828	37962	54147	88957
180	424	747	1231	1925	3047	4931	7034	10887	13831	16571	24346	42343	60395	99222
200	468	824	1359	2124	3362	5441	7762	12014	15262	18286	26865	46723	66643	109487
220	512	901	1486	2323	3677	5951	8490	13140	16693	20000	29384	51104	72891	119752
240	556	979	1613	2522	3992	6462	9217	14266	18123	21715	31902	55484	79139	130017
260	600	1056	1741	2722	4308	6972	9945	15392	19554	23429	34421	59864	85388	140282
280	644	1133	1868	2921	4623	7482	10673	16519	20985	25143	36940	64245	91636	150547
300	688	1210	1995	3120	4938	7992	11400	17645	22416	26858	39458	68625	97884	160811
320	731	1288	2123	3319	5253	8502	12128	18771	23847	28572	41977	73006	104093	171011
340	775	1365	2250	3518	5568	9012	12856	19898	25278	30286	44496	77386	110338	181271
360	819	1442	2378	3717	5884	9522	13584	21024	26708	32001	47014	81767	116583	191531
380	863	1519	2505	3916	6199	10033	14311	22150	28139	33715	49533	86147	122828	201790
400	907	1597	2632	4116	6514	10543	15039	23277	29570	35429	52052	90528	129073	212050
420	951	1674	2760	4315	6829	11053	15767	24403	31001	37144	54571	94908	135318	222310
440	995	1751	2887	4514	7144	11563	16494	25529	32432	38858	57089	99289	141563	232570
460	1039	1829	3014	4713	7460	12073	17222	26656	33863	40573	59608	103669	147808	242830
480	1083	1906	3142	4912	7775	12583	17950	27782	35294	42287	62127	108050	154053	
500	1126	1983	3269	5111	8090	13093	18678	28908	36724	44001	64645	112430	160298	
600	1346	2369	3906	6107	9666	15644	22316	34540	43879	52573	77239	134333	191523	
700	1565	2756	4543	7103	11242	18195	25955	40171	51033	61145	89832	156163	222749	
800	1785	3142	5180	8098	12818	20745	29593	45803	58187	69717	102426	178054	253974	
900	2004	3528	5817	9094	14394	23296	33232	51435	65341	78289	115019	199946	285199	
1000	2224	3915	6454	10090	15970	25847	36870	57066	72496	86860	127613			
1100	2443	4301	7090	11085	17546	28398	40509	62698	79650					
1200	2663	4687	7727	12081	19122	30948	44147	68329						
1300	2882	5074	8364	13077	20698	33499	47786	73961						
1400	3101	5460	9001	14073	22274	36050	51424	79592						
1500	3321	5846	9638	15068	23850	38600	55063	85224						
2000	4418	7778	12822	20047	31730	51354	73256	113382						
2500	5515	9710	16007	25025	39610	64107								
3000	6613	11641	19191	30004										
3500	7710	13573	22375	34983										
4000	8807	15504	25560											
4500	9904	17436	28744											
5000	11002	19368	31928											
5500	12099	21299												
6000	13196	23231												

Grey marked: LESER Type 526 high pressure design. Set pressures and capacities exceed the limits of API 526

Type 526

Capacities – Water

Metric units

Capacities for water according to AD 2000-Merkblatt A2, based on set pressure plus 10 % overpressure at 20 °C (68 °F). Capacities at 1 bar (14.5 psig) and below are based on 0.1 bar (1.45 psig) overpressure.

AD 2000-Merkblatt A2 [10³kg/h]

Orifice	D	E	F	G	H	J	K	L	M	N	P	Q	R	T
Actual Orifice diameter d ₀ [mm]	14.0	14.0	18.0	22.5	28.3	36.0	43.0	53.5	60.3	66.0	80.0	105.5	126.0	161.5
Actual Orifice area A ₀ [mm ²]	154	154	254	398	629	1018	1452	2248	2856	3421	5027	8742	12568	20485
LEO _F [inch ²]	0.126	0.213	0.351	0.549	0.868	1.405	2.005	3.104	3.943	4.724	6.940	12.070	17.353	28.283
Set pressure [bar]	Capacities [10 ³ kg/h]													
0.2	1.37	2.49	4.11	6.42	10.2	16.4	23.5	36.3	46.1	55.3	81.2	141	201	331
0.5	1.94	3.52	5.81	9.09	14.4	23.3	33.2	51.4	65.3	78.2	115	200	285	468
1	2.63	4.76	7.87	12.3	19.5	31.5	44.9	69.6	88.4	106	156	270	386	634
2	3.72	6.74	11.1	17.4	27.5	44.5	63.5	98.4	125	150	220	383	546	896
3	4.55	8.25	13.6	21.3	33.7	54.5	77.8	120	153	183	269	468	668	1098
4	5.26	9.53	15.7	24.6	38.9	63	89.9	139	177	212	311	541	772	1268
5	5.88	10.7	17.6	27.5	43.5	70.4	100	156	198	237	348	605	863	1417
6	6.44	11.7	19.3	30.1	47.7	77.1	110	170	216	259	381	663	945	1553
7	6.95	12.6	20.8	32.5	51.5	83.3	119	184	234	280	411	716	1021	1677
8	7.43	13.5	22.3	34.8	55.0	89.1	127	197	250	299	440	765	1091	1793
9	7.88	14.3	23.6	36.9	58.4	94.5	135	209	265	318	467	811	1157	1901
10	8.31	15.1	24.9	38.9	61.5	99.6	142	220	279	335	492	855	1220	2004
12	9.10	15.8	27.3	42.6	67.4	109	156	241	306	367	539	937	1336	2196
14	9.83	16.5	29.5	46.0	72.8	118	168	260	331	396	582	1012	1444	2372
16	10.5	17.8	31.5	49.2	77.8	126	180	278	353	423	622	1082	1543	2535
18	11.1	19.1	33.4	52.2	82.6	134	191	295	375	449	660	1148	1637	2689
20	11.8	20.2	35.2	55.0	87.0	141	201	311	395	473	696	1210	1725	2835
22	12.3	21.3	36.9	57.7	91.3	148	211	326	414	496	729	1269	1810	2973
24	12.9	22.3	38.6	60.3	95.3	154	220	341	433	519	762	1325	1890	3105
26	13.4	23.3	40.1	62.7	99.2	161	229	355	451	540	793	1379	1967	3232
28	13.9	24.3	41.7	65.1	103	167	238	368	468	560	823	1431	2041	3354
30	14.4	25.2	43.1	67.4	107	172	246	381	484	580	852	1481	2113	3472
32	14.9	26.1	44.5	69.6	110	178	254	393	500	599	880	1530	2182	3585
34	15.3	26.9	45.9	71.7	113	184	262	406	515	617	907	1577	2250	3696
36	15.8	27.8	47.2	73.8	117	189	270	417	530	635	933	1623	2315	3803
38	16.2	28.6	48.5	75.8	120	194	277	429	545	653	959	1667	2378	
40	16.6	29.4	49.8	77.8	123	199	284	440	559	669	984	1711	2440	
50	18.6	30.1	55.7	87.0	138	223	318	492	625	748	1100	1913	2728	
60	20.4	33.7	61.0	95.3	151	244	348	539	684	820	1205	2095	2988	
70	22.0	36.9	65.9	103	163	263	376	582	739			2263		
80	23.5	39.8	70.4	110	174	282	402	622						
90	24.9	42.6	74.7	117	185	299	426	660						
100	26.3	45.2	78.7	123	195	315	449	696						
120	28.8	47.6	86.2	135	213	345	492							
140	31.1	52.2	93.2	146	230	373	532							
160	33.2	56.4	99.6	156	246	398								
180	35.3	60.2	106	165	261	423								
200	37.2	63.9	111	174										
220	39.0	67.4	117	182										
240	40.7	70.6	122	191										
260	42.4	73.8	127											
280	44.0	76.8	132											
300	45.5	79.7	136											
350	49.2	82.5												
400	52.6	89.1												

Grey marked: LESER Type 526 high pressure design. Set pressures and capacities exceed the limits of API 526

Type 526 Capacities – Water

US units

Capacities for water according to ASME Section VIII (UV), based on set pressure plus 10 % overpressure at 21 °C (70 °F).
Capacities at 2.07 bar (30 psig) and below are based on 0.207 bar (3 psig) overpressure.

ASME Section VIII [US-G.P.M.]

Orifice	D	E	F	G	H	J	K	L	M	N	P	Q	R	T
Actual Orifice diameter d_o [inch]	0.551	0.551	0.709	0.886	1.11	1.42	1.69	2.11	2.37	2.6	3.15	4.15	4.96	6.36
Actual Orifice area A_o [inch ²]	0.239	0.239	0.394	0.616	0.975	1.58	2.25	3.48	4.43	5.30	7.79	13.55	19.33	31.75
LEO _F [inch ²]	0.126	0.213	0.351	0.549	0.868	1.405	2.005	3.104	3.943	4.724	6.940	12.070	17.353	28.283
Set pressure [psig]	Capacities [US-G.P.M.]													
15	13.2	22.3	36.7	57.4	90.9	147	210	325	413	494	726	1263	1801	2960
20	14.9	25.2	41.5	64.9	103	166	237	367	466	559	821	1428	2036	3346
30	17.9	30.2	49.7	77.7	123	199	284	440	559	669	983	1710	2439	4007
40	20.6	34.8	57.4	89.8	142	230	328	508	645	773	1135	1975	2817	4627
50	23.1	38.9	64.2	100	159	257	367	568	721	864	1269	2208	3149	5173
60	25.3	42.7	70.3	110	174	282	402	622	790	947	1391	2418	3450	5667
70	27.3	46.1	76.0	119	188	304	434	672	853	1022	1502	2612	3726	6121
80	29.2	49.3	81.2	127	201	325	464	718	912	1093	1606	2793	3983	6544
90	31.0	52.2	86.1	135	213	345	492	762	968	1159	1703	2962	4225	6941
100	32.6	55.1	90.8	142	225	364	519	803	1020	1222	1795	3122	4453	7316
120	35.7	60.3	99.5	155	246	398	568	879	1117	1339	1967	3420	4878	8015
140	38.6	65.2	107	168	266	430	614	950	1207	1446	2124	3694	5269	8657
160	41.3	69.7	115	180	284	460	656	1015	1290	1546	2271	3949	5633	9255
180	43.8	73.9	122	190	301	488	696	1077	1368	1639	2409	4189	5975	9816
200	46.1	77.9	128	201	318	514	734	1135	1442	1728	2539	4416	6298	10347
220	48.4	81.7	135	211	333	539	769	1191	1513	1812	2663	4631	6605	10852
240	50.5	85.3	141	220	348	563	804	1244	1580	1893	2781	4837	6899	11335
260	52.6	88.8	146	229	362	586	836	1294	1644	1970	2895	5034	7181	11797
280	54.6	92.2	152	238	376	608	868	1343	1707	2045	3004	5224	7452	12243
300	56.5	95.4	157	246	389	630	898	1390	1766	2116	3109	5408	7713	12672
320	58.4	98.5	162	254	402	650	928	1436	1824	2186	3211	5585	7978	13107
340	60.2	102	167	262	414	670	956	1480	1881	2253	3310	5757	8224	13510
360	61.9	104	172	269	426	690	984	1523	1935	2318	3406	5924	8462	13902
380	63.6	107	177	277	438	709	1011	1565	1988	2382	3500	6086	8694	14283
400	65.2	110	182	284	449	727	1037	1606	2040	2444	3590	6244	8920	14954
420	66.9	113	186	291	460	745	1063	1645	2090	2504	3679	6399	9140	15016
440	68.4	116	190	298	471	763	1088	1684	2139	2563	3766	6549	9355	15369
460	70.0	118	195	304	482	780	1112	1722	2187	2621	3850	6696	9565	15715
480	71.5	121	199	311	492	797	1136	1759	2234	2677	3933	6840	9771	16053
500	72.9	123	203	317	502	813	1160	1795	2280	2732	4014	6982	9973	16384
600	79.9	135	222	348	550	891	1271	1966	2498	2993	4397	7648	10924	
700	86.3	146	240	376	594	962	1372	2124	2698	3233	4750	8272	11800	
800	92.3	156	257	401	635	1028	1467	2271	2885	3456	5078	8844	12614	
900	97.9	165	272	426	674	1091	1556	2408	3060	3666	5386	9380	13380	
1000	103	174	287	449	710	1150	1640	2539	3225	3864	5677			
1100	108	183	301	471	745	1206	1720	2663	3382					
1200	113	191	314	492	778	1260	1797	2781						
1300	118	199	327	512	810	1311	1870	2895						
1400	122	206	340	531	841	1360	1941	3004						
1500	126	213	352	550	870	1408	2009	3109						
2000	146	246	406	635	1005	1626	2320	3590						
2500	163	275	454	710	1123	1818								
3000	179	302	497	777										
3500	193	326	537	840										
4000	206	348	574											
4500	219	369	609											
5000	231	389	642											
5500	242	408												
6000	253	427												

Grey marked: LESER Type 526 high pressure design. Set pressures and capacities exceed the limits of API 526

Type 526

Determination of coefficient of discharge in case of lift restriction or back pressure

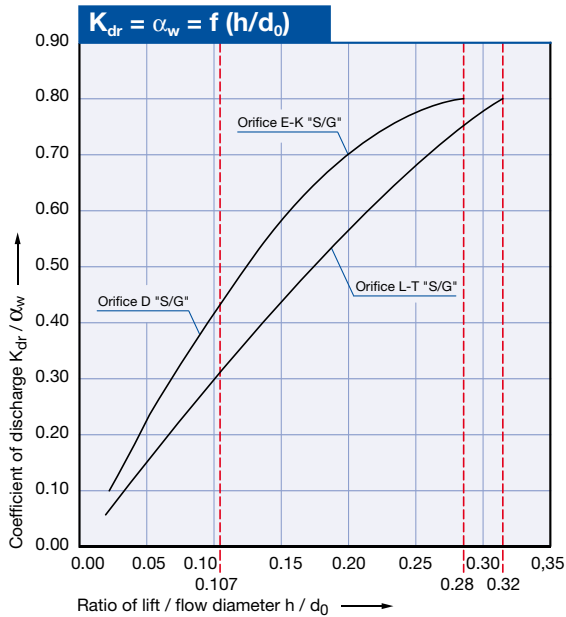
Diagram for evaluation of ratio of lift / flow diameter (h/d_0) in reference to the coefficient of discharge (K_{dr}/α_w)

Note: Lift restriction not approved for ASME-applications.

Legend

h	= Lift [mm]
d_0	= Flow diameter [mm] of selected safety valve, refer to table article numbers
h/d_0	= Ratio of lift / flow diameter
p_{a0}	= Back pressure [bar _a]
p_0	= Set pressure [bar _a]
p_{a0}/p_0	= Ratio of back pressure / set pressure
K_{dr}	= Coefficient of discharge acc. to DIN EN ISO 4126-1
α_w	= Coefficient of discharge acc. to AD 2000-Merkblatt A2
K_b	= Back pressure correction factor acc. to API 520 topic 3.3

Steam and gases



Liquids

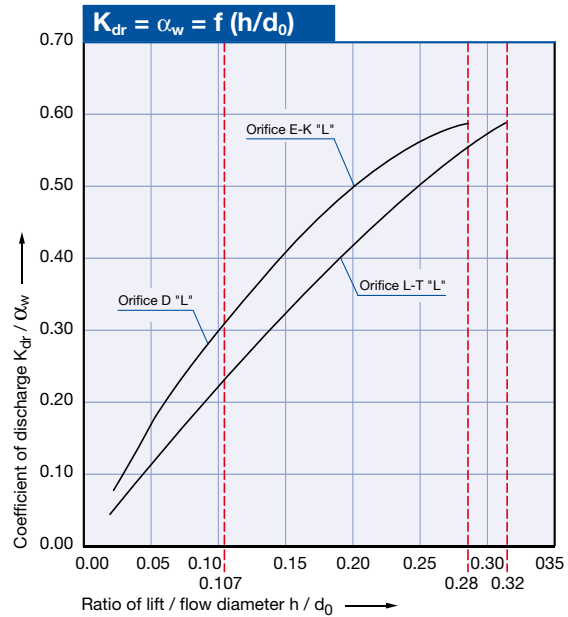
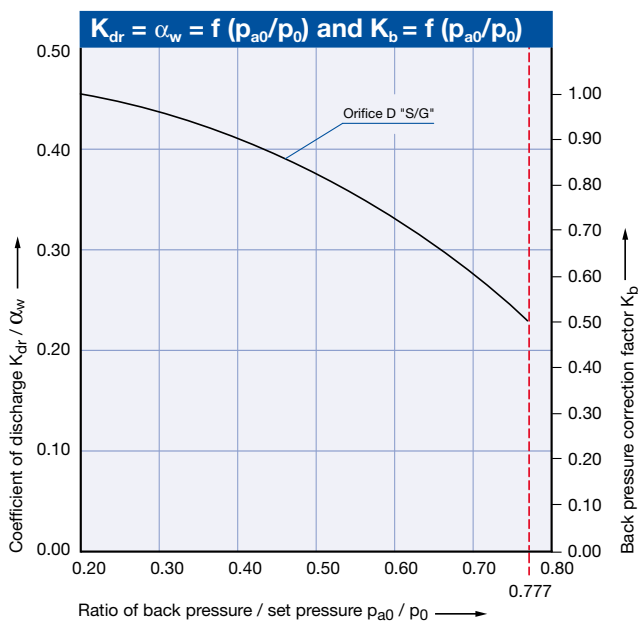
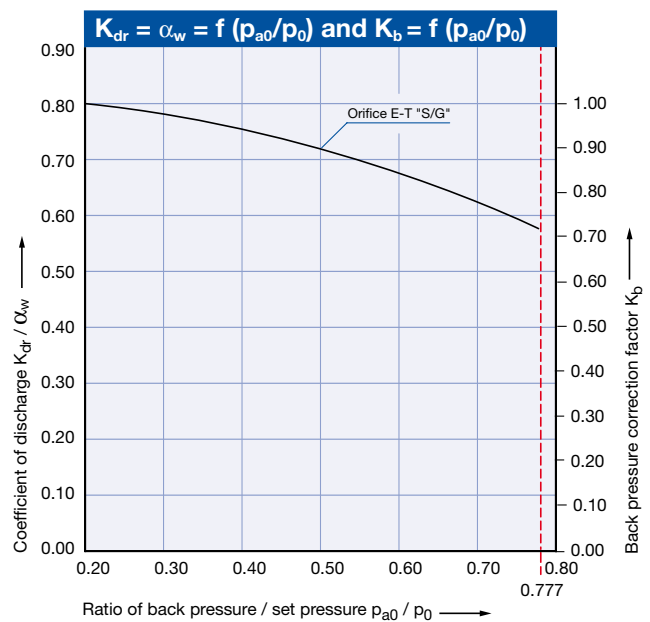


Diagram for evaluation of coefficient of discharge (K_{dr}/α_w) or K_b in reference to the ratio of back pressure / set pressure (p_{a0}/p_0)

Orifice D



Orifice E - T





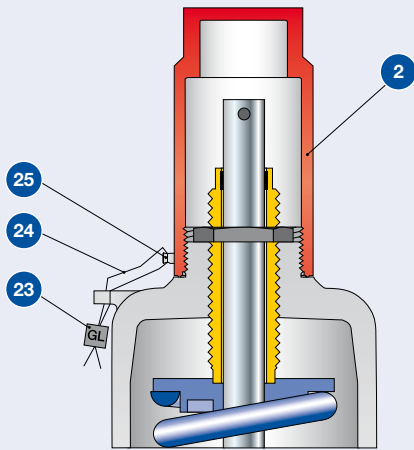
Type 526 Accessories and options

Contents	Page
• Caps and levers	98
• Bolted caps and levers	100
• Metal seat	102
• Soft seal disc	104
• Soft seal selection	106
• Balanced bellows	108
• Bug screen	110
• High temperature equipment	111
• INCONEL X-750 spring, O-ring damper	112
• Lift indicator	113
• Heating jacket	114

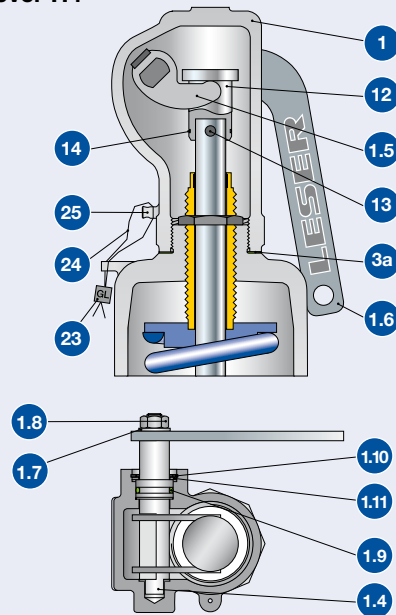
Accessories and Options

Caps and levers – Subassembly item 40

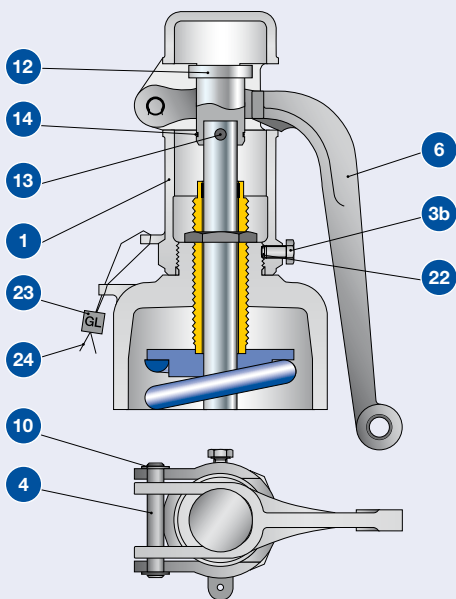
Cap H2



Packed lever H4



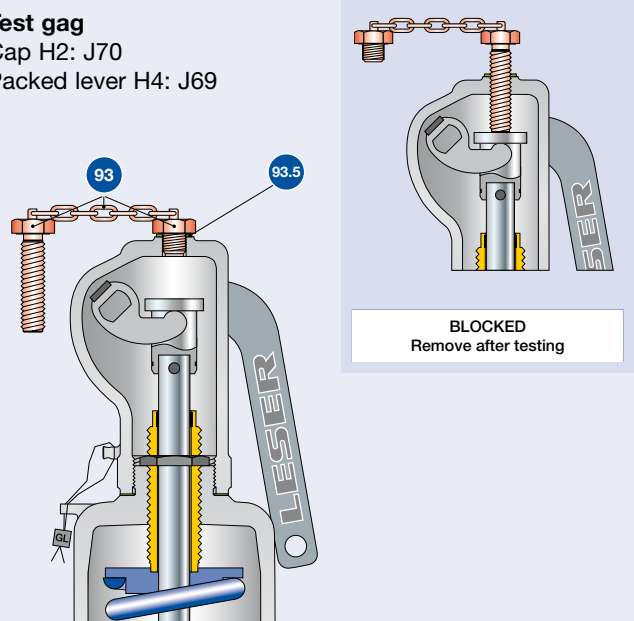
Plain lever H3



Test gag

Cap H2: J70

Packed lever H4: J69



Test gag

The test gag prevents the spindle from lifting and keeps the safety valve tight while the system pressure exceeds the set pressure.

The test gag is used for:

- to perform pressure tests in a system without dismantling of the safety valve
- the individual adjustment of safety valves installed in the same system

After testing the test gag must be removed because otherwise the safety valve cannot protect the system against allowable overpressure!

Accessories and Options

Caps and levers – Subassembly item 40

Materials

Item	Component	Steel			Stainless steel	
		Cap H2 ¹⁾	Plain lever H3	Packed lever H4	Cap H2	Packed lever H4
1	Lever cover	–	0.7040	0.7040	–	1.4408
		–	Gr. 60-40-18	Gr. 60-40-18	–	CF8M
2	Cap	1.0460	–	–	1.4404	–
		SA 105	–	–	316L	–
3a	Spacer	–	–	1.4571	–	1.4571
		–	–	316Ti	–	316Ti
3b	Hex screw	–	1.4401	–	–	–
		–	B8M	–	–	–
4 / 1.4	Shaft / bolt	–	1.4021	1.0718	–	1.4404
		–	420	Steel	–	316L
1.5	Lifting fork	–	–	1.0531	–	1.4571
		–	–	Steel	–	316Ti
6 / 1.6	Lever	–	0.7040	1.0036	–	1.4301
		–	Gr. 60-40-18	Steel	–	304
1.7	Washer	–	–	1.4401	–	1.4301
		–	–	316	–	304
1.8	Nut	–	–	A2 / Poly	–	1.4401
		–	–	2H	–	8M
1.9	O-ring	–	–	Viton®	–	–
		–	–	Viton®	–	–
1.9	Bushing	–	–	–	–	Graphite
		–	–	–	–	Graphite
10/1.10	Retaining clip	–	Carbon steel	Carbon steel	–	–
		–	Carbon steel	Carbon steel	–	–
1.10	Nut	–	–	–	–	1.4104
		–	–	–	–	Chrome steel
1.10	Packing gland	–	–	–	–	1.4404
		–	–	–	–	316L
1.11	Support ring	–	–	Carbon steel	–	–
		–	–	Carbon steel	–	–
12	Spindle cap	–	1.0718	1.0718	–	1.4404
		–	Carbon steel	Carbon steel	–	316L
13	Pin	–	Steel	Steel	–	1.4401
		–	Steel	Steel	–	8M
14	Retaining clip	–	1.4571	1.4571	–	1.4571
		–	316Ti	316Ti	–	316Ti
22	Plug	–	Plastic	–	–	–
		–	Plastic	–	–	–
23	Seal	Plastic	Plastic	Plastic	Plastic	Plastic
		Plastic	Plastic	Plastic	Plastic	Plastic
24	Seal wire	1.4541	1.4541	1.4541	1.4541	1.4541
		321	321	321	321	321
25	Sealing nose	1.4435	–	–	1.4435	1.4435
		316L	–	–	316L	316L
93	Test gag	1.4401	–	1.4401	1.4401	1.4401
		B8M	–	B8M	B8M	B8M
93.5	Washer	Fiber	–	Fiber	Fiber	Fiber
		Fiber	–	Fiber	Fiber	Fiber

¹⁾ Cap size II and III only (1 D 2 up to 4 P 6 300L x 150). Cap size IV is supplied as bolted cap (4 P 6 300 x 150 up to 8 T 10).

Please notice:

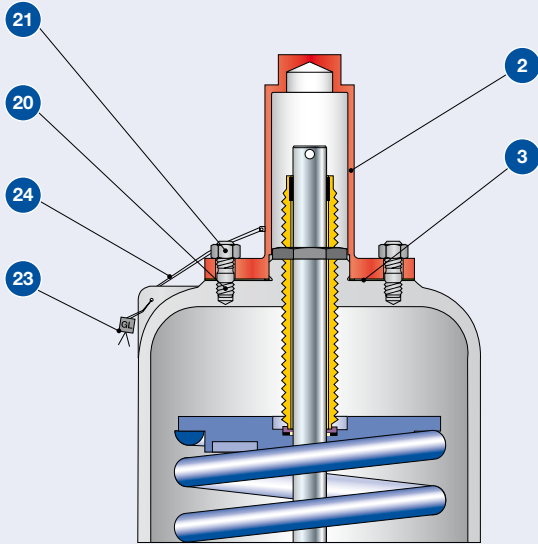
- Modifications reserved by LESER.
- LESER can upgrade materials without notice.
- Every part can be replaced by other material acc. to customer specification.

Accessories and Options

Bolted caps and levers – Subassembly item 40

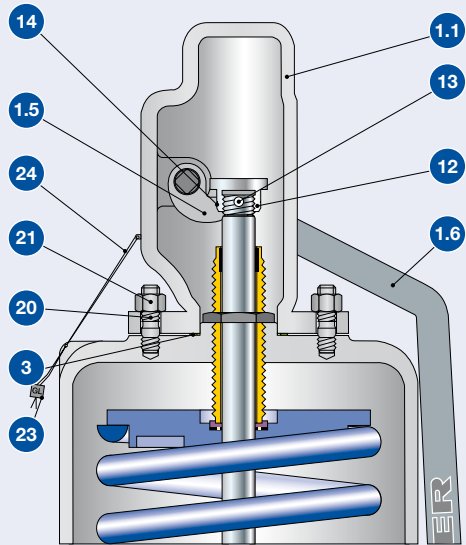
Bolted Cap H1

K01



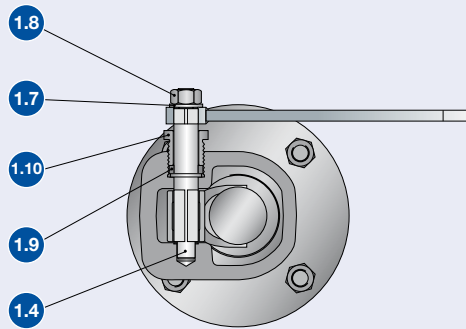
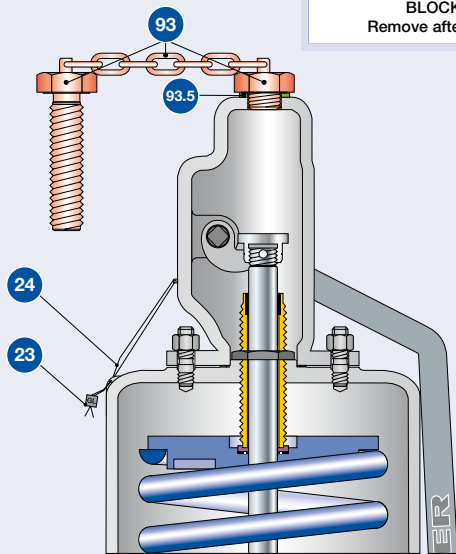
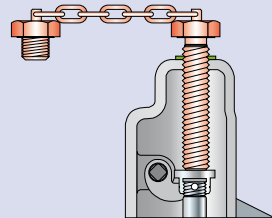
Bolted lifting device H6

K06



Test gag

Bolted cap H1: K05
Bolted lifting device H6: K27



Description of the test gag please refer to page 98.

Accessories and Options

Bolted caps and levers – Subassembly item 40

Materials

Item	Component	Steel		Stainless steel	
		Bolted cap H1	Bolted lifting device H6	Bolted cap H1	Bolted lifting device H6
1.1	Lever cover	–	0.7040	–	1.4408
		–	Gr. 60-40-18	–	CF8M
1.4	Shaft/bolt	–	1.0718	–	1.4404
		–	Steel	–	316L
1.5	Lifting fork	–	1.4408	–	1.4408
		–	CF8M	–	CF8M
1.6	Lever	–	1.0036	–	1.4571
		–	Steel	–	316Ti
1.7	Washer	–	Steel	–	1.4401
		–	Steel	–	316
1.8	Nut	–	1.0501	–	1.4401
		–	2H	–	8M
1.9	Bushing	–	Graphite	–	Graphite
		–	Graphite	–	Graphite
1.10	Packing gland	–	1.4104	–	1.4404
		–	Chrome steel	–	316L
2	Cap	0.7040	–	1.4408	–
		Gr. 60-40-18	–	CF8M	–
3	Gasket	Graphite / 1.4401	Graphite / 1.4401	1.4571	1.4571
		Graphite / 316L	Graphite / 316L	316Ti	316Ti
12	Spindle cap	–	1.0718	–	1.4404
		–	Steel	–	316L
13	Pin	–	Steel	–	A4
		–	Steel	–	8M
14	Retaining clip	–	1.4571	–	1.4571
		–	316Ti	–	316Ti
20	Stud	1.1181	1.1181	1.4401	1.4401
		Steel	Steel	B8M	B8M
21	Nut	1.0501	1.0501	1.4401	1.4401
		2H	2H	8M	8M
23	Seal	Plastic	Plastic	Plastic	Plastic
		Plastic	Plastic	Plastic	Plastic
24	Seal wire	1.4541	1.4541	1.4541	1.4541
		321	321	321	321
93	Test gag	1.4401	1.4401	1.4401	1.4401
		B8M	B8M	B8M	B8M
93.5	Washer	Fiber	Fiber	Fiber	Fiber
		Fiber	Fiber	Fiber	Fiber

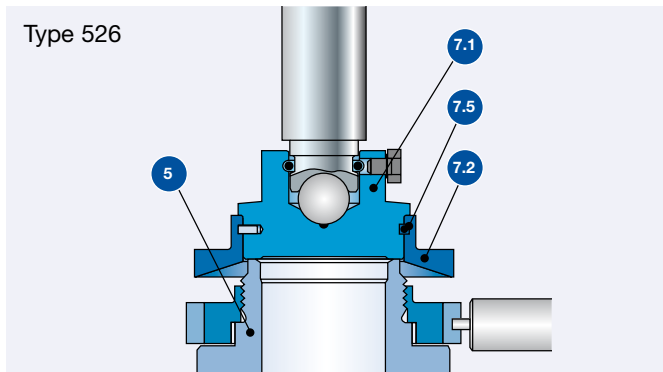
Please notice:

- Modifications reserved by LESER.
- LESER can upgrade materials without notice.
- Every part can be replaced by other material acc. to customer specification.

The bolted cap is standard for the steel version orifice 6 R 10 and 8 T 10

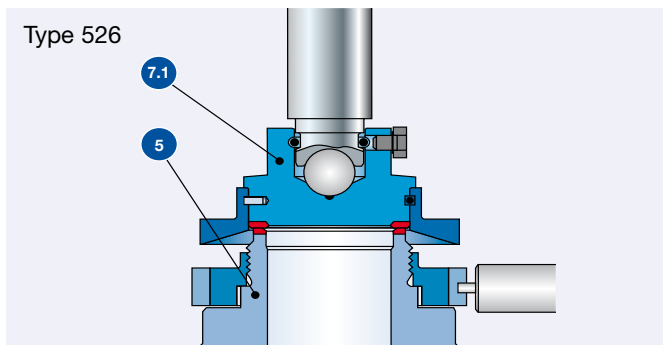
Accessories and Options

Metal seat – Nozzle item 5 and disc subassembly item 7



Metal seat

The LESER metal seats (disc and nozzle) are lapped to optical flatness to ensure a tight seal. LESER safety relief valves are supplied with standard leak tightness according to API 527. Improved tightness is available on request (option code J86). For details on tightness see table on page 104.



Stellited sealing surfaces

The sealing surfaces of stainless steel disc and nozzle can be stellited by build-up welding. Stellite is a cobalt-chromium based, non-ferrous alloy with increased hardness, corrosion resistance and wear resistance up to high temperatures.

LESER recommends stellited sealing surfaces for Type 526 valves in the following cases:

- high pressure applications, due to the high stress of the sealing surfaces
- high temperature applications to avoid a permanent deformation of the sealing surfaces, due to the material properties of the seat and disc
- applications with abrasive fluids to increase the wear resistance of the sealing surfaces

Materials for disc and nozzle see page 101.

The stellited sealing surfaces of disc and nozzle are standard for high pressure and high temperature designs; see table materials page 103.

Hardness metal seat

Material		Hardness of sealing surfaces		
EN	ASME	Values from standards or manufacturers specification		Average value LESER stock
EN 10088-3, 1.4122 hardened	Hardened stainless steel	≥ 40 HRC	LWN 325.01 Hardening procedure	42 – 46 HRC
EN 10272, 1.4404	SA 479 316L	≤ 215 HBW	EN 10272 Table 7	16 – 19 HRC ¹⁾
EN 10272, 1.4404 stellited	SA 479 316L stellited	≥ 35 HRC	Manufacturers specification	40 HRC
DIN EN 10213, 1.4408	SA 351 CF8M	≤ 22 HRC	LWN 290.05	14 – 16 HRC ¹⁾
DIN EN 10213, 1.4408 stellited	SA 351 CF8M stellited	≥ 35 HRC	Manufacturers specification	40 HRC

HBW: BRINELL hardness acc. DIN EN ISO 6506-1 / HRC: ROCKWELL hardness acc. DIN EN ISO 6508-1

¹⁾ Rockwell hardness values below 20 HRC are not allowed according to DIN EN ISO 6508-1. Lower, fictitious values were created for better comparison.

Accessories and Options

Metal seat – Nozzle item 5 and disc subassembly item 7

Materials

Disc – Subassembly item 7

		Steel		Stainless steel	
		Standard	Stellited	Standard	Stellited
Item	Component	Option code J25 + L44		Option code *	
7.1	Disc	1.4122 hardened	1.4404 stellited	1.4404 stellited	1.4404 stellited
		Hardened stainless steel	316L stellited	316L stellited	316L stellited
7.2	Lifting aid	1.4404	1.4404	1.4404	1.4404
		316L	316L	316L	316L
7.5	Securing ring	1.4571	1.4571	1.4571	1.4571
		316Ti	316Ti	316Ti	316Ti

Nozzle – Subassembly item 5

		Flange rating class inlet					
		CL150 – CL300L		CL300		CL600	CL900 – CL2500
Body material: 1.0619 WCB, LCB							
Orifice	D – L	M – T	D – L ¹⁾	M – T	D – R	D – P	
Material	1.4408	1.4408 stel.	1.4408	1.4408 stel.	1.4408 stellited	1.4408 stellited	
	CF8M	CF8M stel.	CF8M	CF8M stel.	CF8M stellited	CF8M stellited	
Body material: WC6							
Orifice	D – T		D – T		D – R	D – P	
Material	–		1.4408 stellited		1.4408 stellited	1.4408 stellited	
	–		CF8M stellited		CF8M stellited	CF8M stellited	
Body material: 1.4408 CF8M							
Orifice	D – L	M – T	D – L ¹⁾	M – T	D – L ²⁾	M – R	D – P
Material	1.4408	1.4408 stel.	1.4408	1.4408 stel.	1.4408	1.4408 stel.	1.4408 stellited
	CF8M	CF8M stel.	CF8M	CF8M stel.	CF8M	CF8M stel.	CF8M stellited

Options	Option code
Stellited, if not standard	L62
Nozzle material 1.4404/316L	L64
Nozzle material 1.4404/316L stellited	L65

¹⁾ Orifice J and L, CL300 is stellited

²⁾ Orifice H CL600, Orifice J CL600 and Orifice K CL600 are stellited

The standard facing for nozzles is serrated finish (SF). All nozzles with facings deviating from the standard such as RTJ-groove are made out of the material 1.4404/ 316L.

Accessories and Options

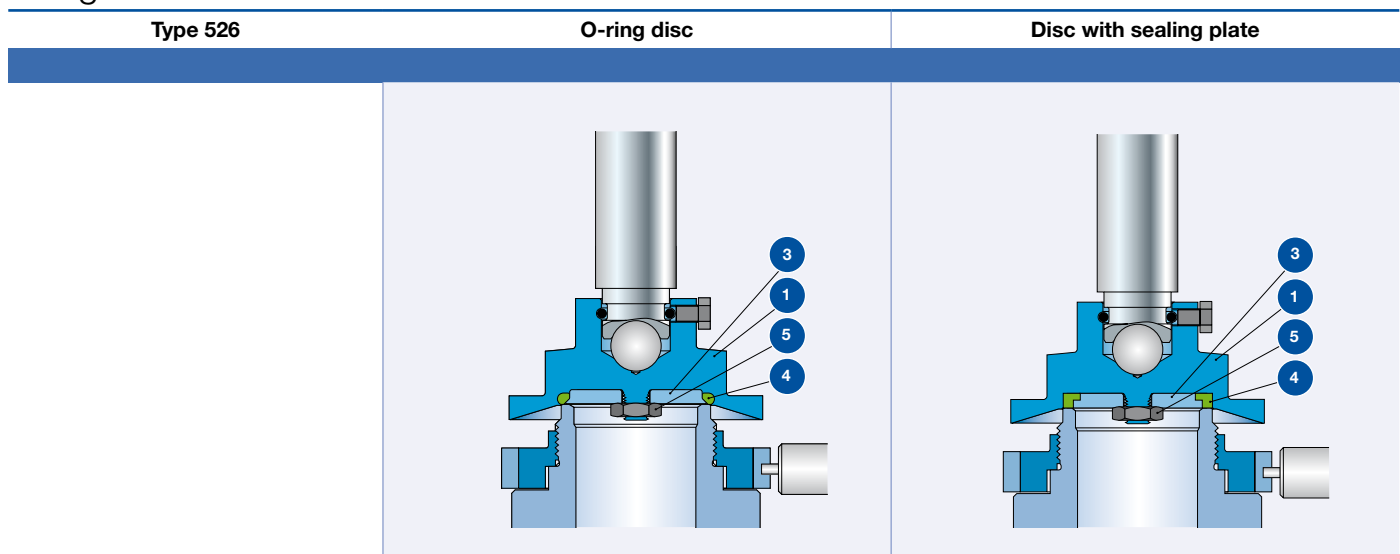
Soft seal disc – Subassembly item 7

Features and Benefits

LESER soft seal solutions allow for superior tightness.

- two different designs with o-ring or sealing plate for a wide variety application
- large selection of soft seal materials to best adapt to the application
- increased service life of sealing surfaces compared to a metal to metal seat
- simple replacement of the soft seal reduces maintenance costs
- standard ARP O-ring sizes for easy worldwide procurement
- one standard durometer per O-ring material for all set pressures to reduce stocking expenses

Design



For temperature limits, medium resistance and option codes please refer to the soft seal selection table, page 106 – 107. Materials for soft seal discs see page 105.

Tightness

Tightness requirements and tightness tests of LESER safety valves are adapted to the requirements of API 527. The tightness requirements are fixed in LESER work standard LGS 0201.

Disc design	Standard tightness requirements		Increased tightness Option code J86	
	$d_0 \leq 16$ mm	$d_0 > 16$ mm	$d_0 \leq 16$ mm	$d_0 > 16$ mm
	Number of bubbles [bubbles / min]	Number of bubbles [bubbles / min]	Number of bubbles [bubbles / min]	Number of bubbles [bubbles / min]
Metal to metal sealing	40 – 80 acc. to API 527	20 – 40 acc. to API 527	20 – 40 acc. to API 527	10 – 20 acc. to API 527
O-ring disc	0 acc. to API 527	0 acc. to API 527	–	–
Disc with sealing plate	20	10	–	–

Accessories and Options

Soft seal disc – Subassembly item 7

Materials

O-ring disc

Item	Component	Steel	Stainless steel
1	Disc with lifting aid	1.4404	1.4404
		316L	316L
3	Retainer	1.4404	1.4404
		316L	316L
4	O-ring	See soft seal selection table, page 104	See soft seal selection table, page 104
5	Nut	1.4401	1.4401
		8M	8M

Disc with sealing plate

Item	Component	Steel	Stainless steel
1	Disc with lifting aid	1.4404	1.4404
		316L	316L
3	Retainer	1.4404	1.4404
		316L	316L
4	Sealing plate	See soft seal selection table, page 104	See soft seal selection table, page 104
5	Nut	1.4401	1.4401
		8M	8M

Accessories and Options

Soft seal

Soft seal selection

Abbreviation ASTM 1418	Trade name (Designation)	Code- letter ¹⁾	Option Code	T _{min}		T _{max}		Application ²⁾
				[°C]	[°F]	[°C]	[°F]	
O-ring								
CR	Neoprene®	K	J21	-40	-40	100	212	Parafin oil, silicone oil and grease, water and waterbased solvents, refrigerants, ozone
NBR	Buna-N® (Nitrile-Butadiene)	N	J30	-25	-13	100	212	Hydraulic oil, vegetable and animal grease and oil
EPDM	Buna-EP® (Ethylene-Propylene-Diene)	D	J22	-45	-49	150	302	Hot water and superheated steam up to 150 °C, 302 °F, some organic and inorganic acids, silicone oil and grease, FDA compliant
FKM	Viton® (Fluorocarbon)	L	J23	-20	-4	180	356	High temperature service (no superheated steam), mineral oil and grease, silicone oil and grease, vegetable and animal grease and oil, ozone, FDA compliant compound available on request
FFKM	Kalrez® (Perfluor)	C	J20	0	32	250	482	Nearly all chemicals, standard compound is Kalrez® 6375 with steam resistance, FDA compliant compound available on request
Sealing plate (Special design, Option code S07)								
SP	VESPEL SP-1® ³⁾ (Polyimide)	T	J49 + S07	-270	-454	260	500	High temperature and high pressure applications (no steam), for chemical resistance refer to manufacturers guide
PCTFE	KEL-F® (Polychlorotrifluoroethylene)	G	J48 + S07	-240	-400	150	302	Cryogenic and refrigeration applications, flammable media applications, (e.g. gaseous oxygen) up to 50 bar, 725 psig at 60 °C, 140 °F
PTFE	Teflon® (Polytetrafluoroethylene)	A	J44 + S07	-200	-328	200	392	Nearly all chemicals
Other than listed		X	For other materials please contact your local representative or sales@leser.com					

¹⁾ The code letters will be stamped on the disc (Item 1).

²⁾ Pressure and temperature service must be considered in any case.

Chemical resistance information is supplied by the O-ring manufacturer. LESER can not take any warranty.

³⁾ DN 25, 1" x 2" only.

Accessories and Options

Soft seal disc

Set pressure and size limits

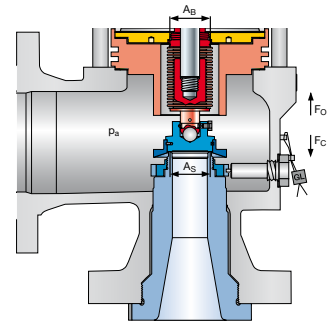
Material	Pressure range		Pressure range		Orifice
	min.		max.		
	[bar]	[psig]	[bar]	[psig]	
O-ring					
NBR "N" J30	0.3	4	102	1480	D – K
CR "K" J21			75.8	1100	L – M
EPDM "D" J22			68.9	1000	N – P
FKM "L" J23			41.3	600	Q
FFKM "C" J20			20.6	300	R – T
Sealing plate (Special design, Option code S07)					
SP "T" J49	10	150	400	5800	D – G
PCTFE "G" J48	1	15	300	4350	D – T
PTFE "A" J44	1	15	10	145	D – T

Accessories and Options
Balanced bellows – Subassembly item 15

Balanced bellows are generally used for two applications:
 – to compensate for back pressure
 – to seal off the bonnet from the outlet chamber

Compensation for back pressure

The back pressure acts on the reverse side of the disc, creating a force in the closing direction (F_C). The balanced bellows constitutes an area equal to the seat area, creating a force acting in the opening direction (F_O), thus compensating the force in closing direction.



A quantitative representation is shown in the table below:

Actual area	Back pressure	Actual force	Direction of force	Compensation criteria
Seat area = A_S	p_a	$F_C = p_a \times A_S$	closing	$A_S = A_B$
Bellows area = A_B	p_a	$F_O = p_a \times A_B$	opening	$F_C = F_O$

For LESER Type 526 the maximum back pressure to set pressure ratio is 50%. Minimum set pressures and maximum outlet pressures for the individual orifice sizes are listed in the pressure temperature rating section of this catalog.

Sealing the bonnet from the outlet chamber

LESER's balanced bellows reliably seal the bonnet from the outlet chamber; protecting the guide, moving parts and the spring from problems associated with the fluid, such as dirt, corrosion, impurities of temperature.

Balanced bellows

Type 526	Orifice D – 6 R 8	6 R 10	8 T 10
Design			
Bonnet spacer	*	Exception: Valve 1 1/2 D 3, 1 1/2 E 3 and 1 1/2 F 3 without bonnet spacer	–
Bellows shield	*		*

The bellows shield protects the bellows against turbulences during discharge to avoid bellows vibration and to guarantee a longer life-time.

Control thread	ASME B1.20.1 NPT 1/2"	*	*
-----------------------	-----------------------	---	---

A control thread ASME B1.20.1 NPT 1/2" is fitted into the bonnet to monitor the condition of the bellows.
 A discharge pipe can be fitted to the NPT 1/2" control thread to allow safe discharge of aggressive or toxic fluids.

Option code			
Standard bellows	J83		J83
Hastelloy bellows	J81		J81
INCONEL bellows	J82		J82
Other materials than stand.	S15 + material designation		S15 + material designation

The dimensions and weights of a safety valve with balanced bellows are displayed in the tables "Dimensions and weights".
 The temperature range is displayed in the tables "Pressure temperature ratings".

Accessories and Options

Balanced bellows – Subassembly item 15

Material

Item	Component	Material		
11	Bonnet spacer	Type 5262: 1.0460	1.4404	
		Steel	316L	
		Standard bellows J83	INCONEL bellows J82	Hastelloy bellows J81
15.1	Upper end piece	1.4404	2.4856	2.4610/N06455
		316L	INCONEL 625	Hastelloy C4
15.2	Lower end piece	1.4404	2.4856	2.4610/N06455
		316L	INCONEL 625	Hastelloy C4
15.3	Balanced bellows	2.4856	2.4856	2.4819
		INCONEL 625	INCONEL 625	Hastelloy C276

Standard bellows in INCONEL 625

Due to the thin-walled, bellows are the most sensitive components of the safety valve in relation to corrosion and temperature load.

To increase the life cycle of the bellows, in corrosive and high temperature applications as well, Since October 2010 LESER offers INCONEL 625 as standard material for the balanced bellows in the API Series 526. The higher grade INCONEL 625 replaces the stainless steel material 316Ti / 1.4571.

Bellows material Inconel 625

INCONEL 625 is a nickel base material and compared to 316 stainless steel it provides significantly better

- corrosion resistance especially in applications where chlorides are present
- high temperature resistance

LESER uses only INCONEL 625 LCF® or INCONEL 625 with equivalent properties to INCONEL 625 LCF®. The minimum criterion for every bellows is 10.000 load cycles which is a very high value compared to the operating conditions of most safety valves.

® = INCONEL and 625 LCF are trademarks of the Special Metals Corporation group of companies.

End connections

LESER's bellows design is such that at both ends the bellows has welded end pieces which connect the bellows to the disc and the guide. The two end pieces of the standard bellows remain in stainless steel 316L.

Interchangeability

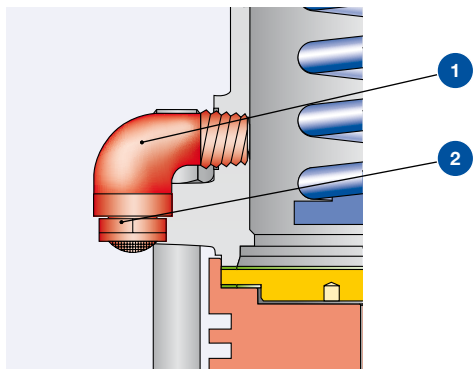
The old stainless steel bellows and the new INCONEL 625 bellows are one to one interchangeable without the need to change other components of the valve.

Ordering

With the introduction of the INCONEL 625 bellows LESER will also make the ordering for Type 526 easier. It will no longer be necessary to distinguish between closed bonnet and open bonnet. Option code J83 will be sufficient to order a balanced bellows for both.

Accessories and Options

Bug screen



The bug screen is screwed in at safety valves with bellows at the bonnet vent in order to prevent the intrusion or rather nesting of beetles, termites, ants etc. at the bonnet space.

Such nest-building especially at the spindle guide can lead to disfunction of the safety valve. This danger occurs only at plants for gases and liquids and in environments supporting high insect populations.

The function of bellows or rather safety valves will not be hindered by the bug screen.

The option code for ordering is M70.

Material

Item	Component	Steel design	Stainless steel
1	90° bow NPT 1/2"	Steel	Stainless steel
2	Screen NPT 1/2"	Stainless steel	Stainless steel

Balanced bellows conversion kits

LESER balanced bellows conversion kits are available to convert from a conventional design into a balanced bellows design with little effort. The conversion kits contain all the necessary parts for conversion as well as instructions.

Conversion kits

Pos.	Benennung	Stück	Materials
8	Guide	1	1.4404 316L
11	Bonnet spacer / Cooling spool	1	1.4404 316L
12	Spindle	1	1.4404 316L
15	Bellows	1	2.4856 / 1.4404 INCONEL 625 / 316L
55	Stud	4, 8, 12 depends on valve size	1.4401 B8M
60	Gasket	2, 3 depends on valve size	Graphite / 1.4401 Graphite / 316
-	Installation instruction WI 3037.05	1	

Accessories and Options

High temperature equipment

For fluid temperatures higher than 400 °C/752 °F high temperature equipment is necessary to protect the inner parts and the spring against inadmissible influence of temperature. The maximum inlet temperature is 538 °C/1000 °F. The equipment

shown is only fitted in Type 5267. For all other Types an open bonnet and a balanced bellows is necessary for fluid temperatures exceeding 400 °C/752 °F up to max. 450 °C/842 °F.

Specification

Type 5267

Design		
Option code	J88	
Operating conditions		
Temperature limits	[°C]	> 400 fluid temperature
	[°F]	> 752 fluid temperature
	max. [°C]	538 inlet temperature
	max. [°F]	1000 inlet temperature

Materials – High temperature equipment

Item	Component	
1	Body	1.7357 WC6
5	Nozzle	1.4408 stellite CF8M stellite
7	Disc	1.4404 stellite 316L stellite
9	Bonnet open	1.0619 WCB
11	Cooling spool	1.4404 316L
15	Bellows	2.4856 / 1.4404 Inconel 625 / 316L
54	Spring	1.7102, 1.8159 High temperature alloy steel
55	Studs	1.7709 B16
56	Nuts	1.7258 7M

Accessories and Options

Inconel X-750 Spring

LESER offers the spring material INCONEL X-750 / 2.4669 as an option of Type 526 for all valve sizes and the complete pressure range.

Applications

INCONEL X-750 is recommended in the following applications:

- Sour gas applications acc. to NACE MR 0175 and NACE MR 0103 if NACE conditions are present at the outlet of the safety valve (NACE Level 2). INCONEL X-750 is a spring material which is recommended in the NACE standards.
- High temperature applications
INCONEL X-750 allows higher operating temperatures than other standard spring materials. With a spring in INCONEL X-750 it is possible to use a conventional safety valve with closed bonnet for medium temperatures of 538 °C / 1000 °F without the need of a bellows for spring heat protection.
- Highly corrosive applications
Applications that require a spring material with a corrosion resistance superior to that of stainless steel, e.g. seawater applications.

Option Code

Option code X08: Spring material INCONEL X-750

Ordering

The option code for ordering is X08. Spring part numbers and pressure limits can be taken from the actual spring charts LGS 3630.



O-ring damper

The O-ring damper can be employed to suppress or reduce oscillations of moving parts in a safety valve. LESER has ensured proper performance of the O-ring damper through extensive tests at its certified test labs.

For applications according to CE/VdTUEV O-ring damper are available on request. If an O-ring damper is required further testing must be performed, which will require a longer lead time; please contact sales@leser.com. Safety valves with O-ring damper are not designated in the ASME code.



Cap H2



Packed lever H4

Accessories and Options

Lift indicator

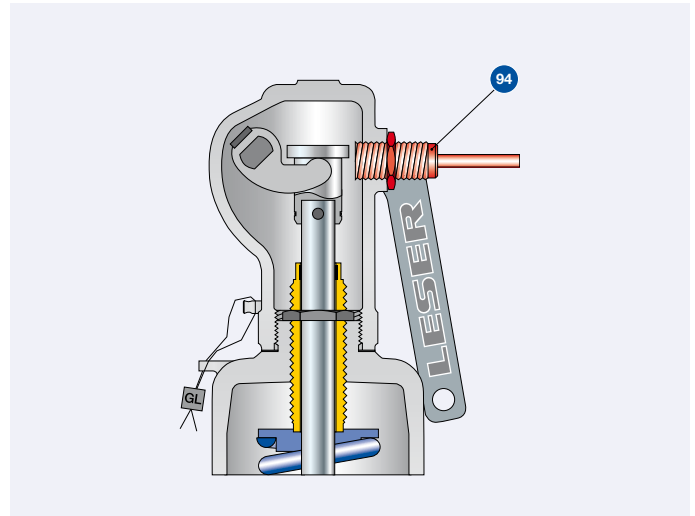
The lift indicator is a useful device that can be used in process control to monitor the operating status of a safety valve. To detect lifting, LESER provides a special lifting device H4 incorporating a proximity switch (see drawing right).

The lift indicator will detect a safety valve lift equal to or more than 1 mm / 0.04 in, which may be the result of overpressure or of operation of the lifting device.

LESER provides inductive DC proximity switches, type DIN EN 60947-5-6 (NAMUR) using two-wire technology. These intrinsically safe proximity switches can be used in explosion hazard area zone 0 (Ex II 1 D Ex iaD 20 T6). Other types of proximity switch may be used. If a technical specification is supplied along with the type of connection thread LESER can verify compatibility.

For technical details of proximity switch refer to manufacturers homepage: www.pepperl-fuchs.com.

For assembly and adjustment refer to LESER works standard WI 3323.02.



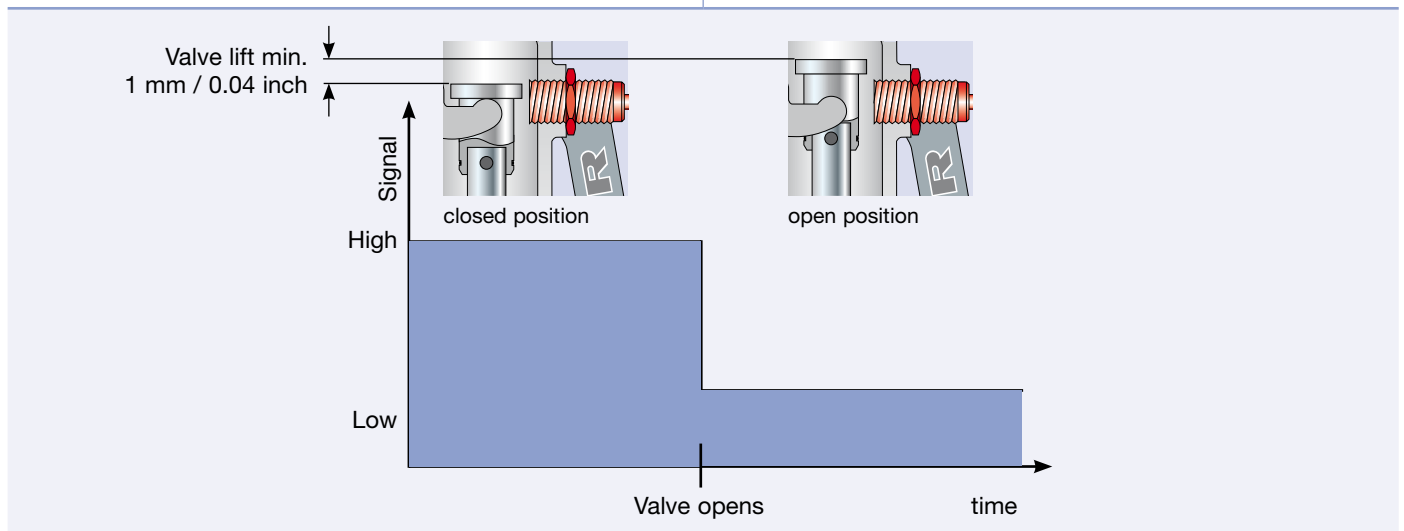
Packed lever H4 or bolted cap H6

Availability

Item	Component	Option code
9	Bonnet with adaptor for lift indicator	J38
40	Lifting device H4 with adaptor for proximity switch M18 x 1 [mm]	J39
94	Lift indicator M18 x 1, used type = PEPPERL+FUCHS NJ5-18GK-N	J93

Operating chart

A, closed position	B, open position
The lift indicator is positioned in front of the coupling or control sleeve when the safety valve is closed.	When the safety valve opens or is lifted (in both cases at least 1 mm / 0.04 inch) , the lift indicator changes its signal. The signal also changes if the lift indicator accidentally becomes loosened or unscrewed (fail safe).



Accessories and Options

Heating jacket

Application and design

Safety valves in systems which need to be protected from media that are viscous, sticky, or have the tendency to crystallize out of solution can be fitted with a heating jacket.

The heating jacket is constructed with a welded design and covers the body, allowing heating medias (steam, heat transfer oil, etc.) to pass through the space created.

To protect the spindle and the moving parts against sticking LESER recommends the use of a heating jacket in combination with the balanced bellows design. For safety valves with balanced bellows, the bonnet spacer required to house the bellows is fitted with an additional heating jacket. Both heating jackets are joined by a tubing.

If there is no risk of solidification of the media at the outlet a safety valve without balanced bellows can be used as well.

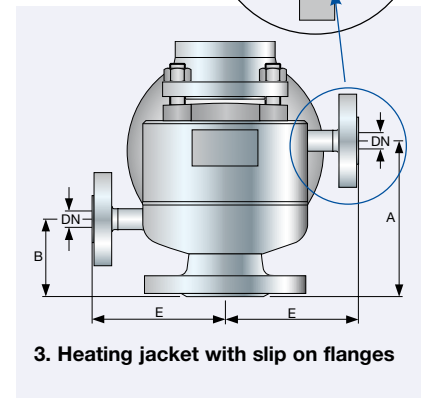
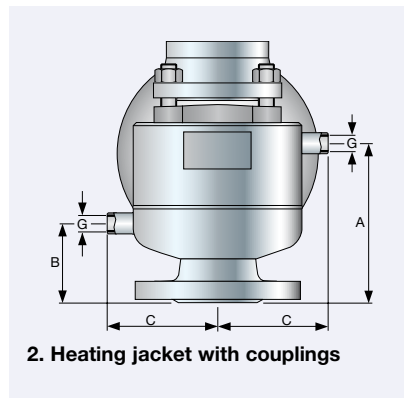
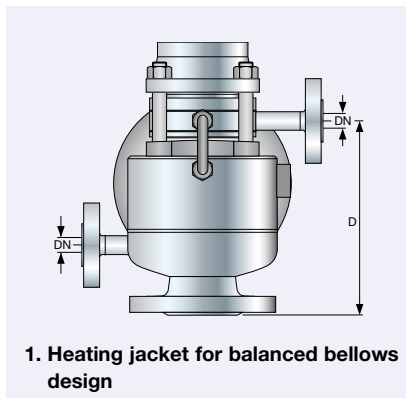
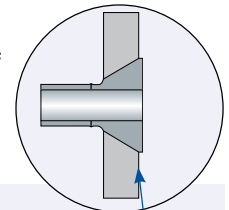
The position of the heating connections is shown in figure 1 to 3.

Specifications for Heating jacket

The operating data for the heating jacket are shown on a separate name plate.

Slip on flanges

Flanged heating connections are supplied as slip on flanges for better alignment of the flange connection.



Heating jacket

Valve size	1 D 2	1 1/2 F 2	2 H 3	3 J 4	4 L 6 except CL600	6 Q 8	8 T 10
	1 E 2	1 1/2 G 3	2 J 3	3 K 4	4 M 6 except CL600	6 R 8	
				3 K 6	4 N 6		
				3 L 4	4 P 6		

Materials									
Body	Type 526	CF8M 1.4408	CF8M 1.4408	CF8M 1.4408	WCB 1.0619, CF8M 1.4408	WCB 1.0619, CF8M 1.4408	WCB 1.0619, CF8M 1.4408	WCB 1.0619, CF8M 1.4408	
Heating jacket					1.4541				
					321				
Connections									
		Option Code							
Slip on flange DIN	DN 15, PN 25	1.4571, 1.4404 316Ti, 316L	H31	H31	H31	-	-	-	-
	DN 25, PN 25	1.4571, 1.4404 316Ti, 316L	-	-	-	H32	H32	H32	H32
Slip on flange ANSI B16.5	1/2", class 150	1.4404 316L	K31	K31	K31	-	-	-	-
	1", class 150	1.4404 316L	-	-	-	K32	K32	K32	K32
Couplings DIN 2986	G 3/8	1.4571 316Ti	H29	H29	H29	-	-	-	-
	G 3/4	1.4571 316Ti	-	-	-	H30	H30	H30	H30

Accessories and Options

Heating jacket

Overview heatable bonnet spacer

Orifice	Inlet flange rating class of the safety valve						
	CL150	CL300L	CL300	CL600	CL900	CL1500	CL2500
Option Code							
D		–				–	without
E		–				–	without
F		–				without	
G		H33			–		–
H		H33			–		
J		H33			–		
K		–				–	
L		–			–		
M			–				
N			–				
P		–		H33			
Q			H33				
R		H33		without			
T		without					

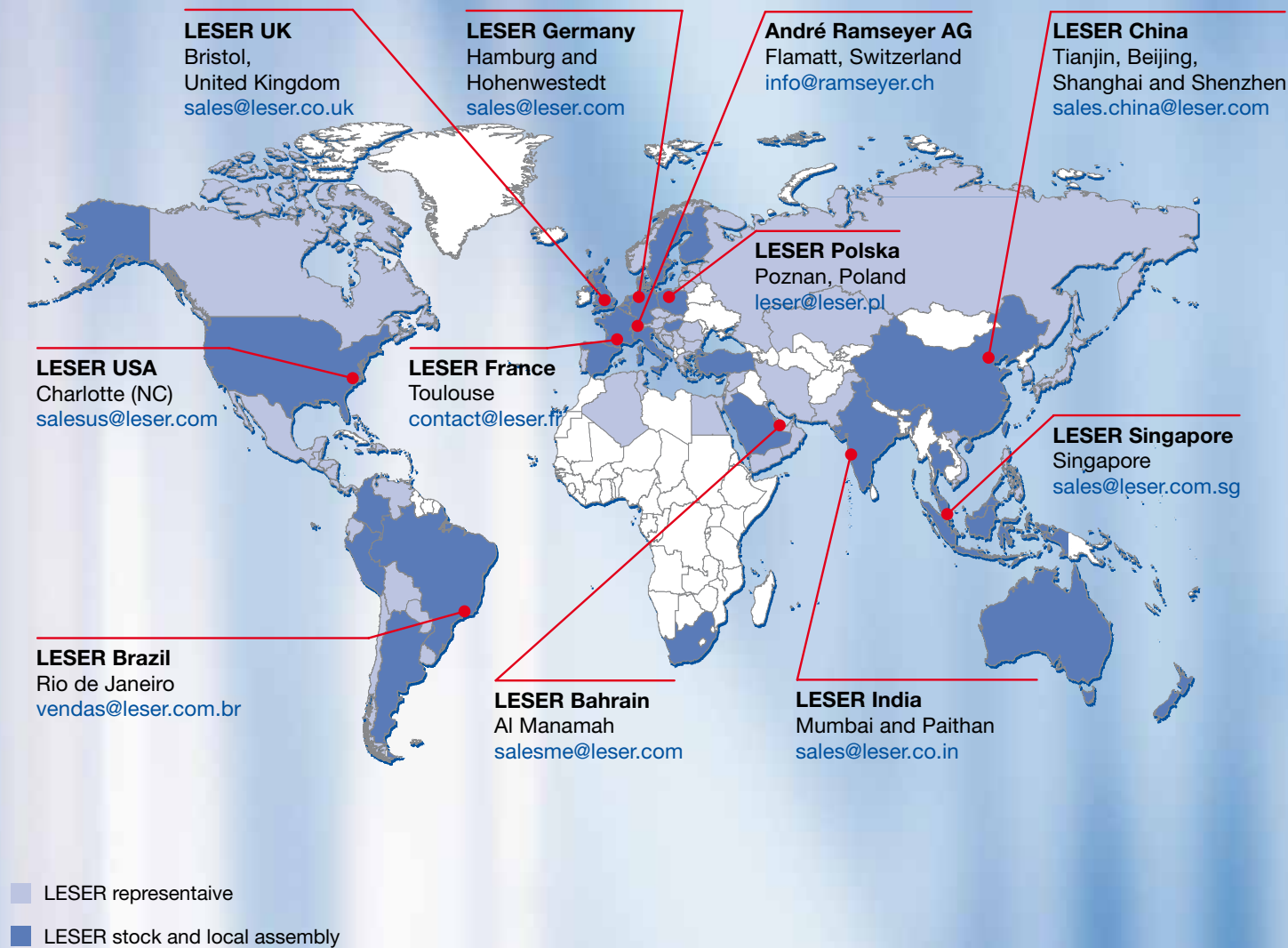
Metric units

Valve size		1 D 2	1 1/2 F 2	2 H 3	3 J 4	4 N 6	6 Q 8	8 T 10	
		1 E 2	1 1/2 G 3	2 J 3	3 K 4	4 P 6	6 R 8		
					3 K 6				
					3 L 4				
Type 526		Dimensions							
[mm]	A	105	117	130	160	210	285	404	
	B	75	80	80	100	120	156	65	
	C	96	110	96	162	187	240	–	
	D	–	181	204	–	–	389	–	
	E	122	136	136	200	225	267	305	
	Slip on flange DN	15	15	15	25	25	25	25	
[inch]	Couplings G	3/8	3/8	3/8	3/4	3/4	3/4	3/4	
Operating conditions		Operating pressure [bar]							
Operating temperature		20 °C	25	25	25	15	15	12	12
		300 °C	18	18	18	11	11	9	9

US units

Valve size		1 D 2	1 1/2 F 2	2 H 3	3 J 4	4 N 6	6 Q 8	8 T 10	
		1 E 2	1 1/2 G 3	2 J 3	3 K 4	4 P 6	6 R 8		
					3 K 6				
					3 L 4				
Type 526		Dimensions							
[inch]	A	4 1/8	4 5/8	5 1/8	6 5/16	8 1/4	11 1/4	15 7/8	
	B	3	3 1/8	80	4	4 3/4	6 1/8	2 1/2	
	C	3 3/4	4 3/8	3 3/4	6 3/8	7 3/8	9 1/2	–	
	D	–	7 1/8	8	–	–	15 3/8	–	
	E	4 3/4	5 3/8	5 3/8	7 7/8	8 7/8	10 1/2	12	
	Slip on flange DN	1/2	1/2	1/2	1	1	1	1	
[inch]	Couplings G	3/8	3/8	3/8	3/4	3/4	3/4	3/4	
Operating conditions		Operating pressure [psig]							
Operating temperature		68 °F	363	363	363	218	218	174	174
		572 °F	261	261	261	160	160	131	131

LESER worldwide



API Catalog
Edition August 2015
0777.5489

LESER

The-Safety-Valve.com

LESER GmbH & Co. KG

20537 Hamburg, Wendenstr. 133-135
20506 Hamburg, P.O. Box 26 16 51

Fon +49 (40) 251 65-100
Fax +49 (40) 251 65-500

E-Mail: sales@leser.com
www.leser.com