

LUX SERIES

HYDRAULIC AUTOMATION FOR SWING GATES



Opens the future



• **A MODEL FOR EVERY NEED.**

→ Several versions available: irreversible with hydraulic locking (for holding when closed or closed and open) and reversible (with use of an electric lock).

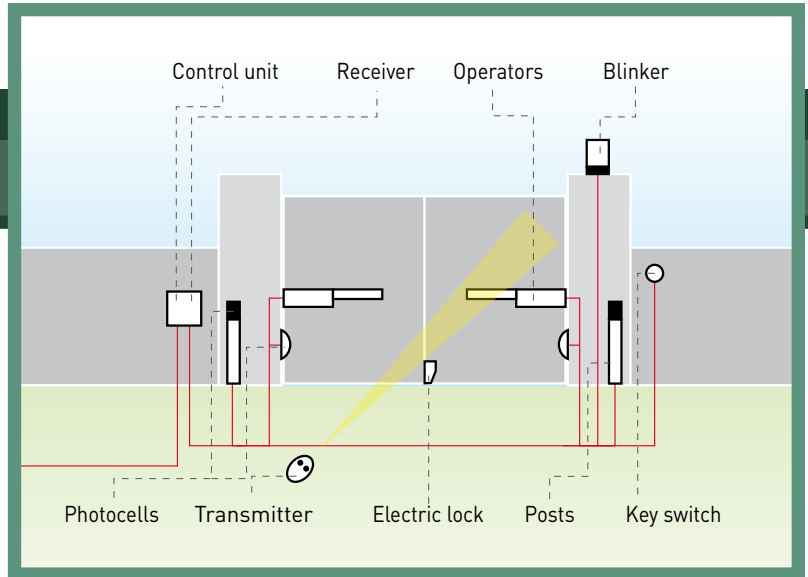
• **SAFE USE.**

→ Antisquashing protection guaranteed by two adjustable bypass valves.

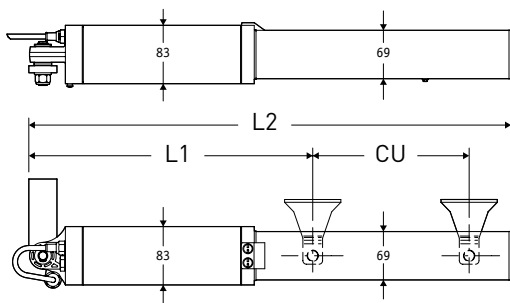
CODE	DESCRIPTION	VOLTAGE	LEAF WEIGHT	LEAF LENGTH
P935009 00001	LUX	230 V	up to 3000 N (~300 kg)	up to 2 m
P935010 00001	LUX B	230 V	up to 3000 N (~300 kg)	up to 2 m
P935011 00001	LUX 2B	230 V	up to 3000 N (~300 kg)	up to 2 m
P935046 00002	LUX R2BSN2	230 V	up to 3000 N (~300 kg)	up to 2 m
P935012 00001	LUX L	230 V	up to 5000 N (~500 kg)	up to 4 m
P935013 00001	LUX G	230 V	up to 8000 N (~800 kg)	up to 5 m
P935035 00001	LUX MB	230 V	up to 3000 N (~300 kg)	up to 2.3 m

TECHNICAL FEATURES

	LUX	LUX B	LUX 2B	LUX R2BSN2
CONTROL PANEL	ALCOR N (suggested)	ALCOR N (suggested)	ALCOR N (suggested)	ALCOR N (suggested)
REVERSIBLE/IRREVERSIBLE OPERATOR	reversible	irreversible	irreversible	irreversible
POWER SUPPLY	230 V- ± 10%, 50 Hz single-phase	230 V- ± 10%, 50 Hz single-phase	230 V- ± 10%, 50 Hz single-phase	230 V- ± 10%, 50 Hz single-phase
ABSORBED POWER	250 W	250 W	250 W	250 W
THERMAL PROTECTION	integrated	integrated	integrated	integrated
ROD WORKING STROKE	270 mm	270 mm	270 mm	250 mm
ROD SPEED	14 mm/s	14 mm/s	14 mm/s	14 mm/s
OPENING AND CLOSING TIME	17 s	17 s	17 s	16 s + slowdown
SLOWDOWN	-	-	-	closing
IMPACT REACTION	hydraulic clutch	hydraulic clutch	hydraulic clutch	hydraulic clutch
TYPE OF LOCK	electric lock	hydraulic closing	hydraulic opening/closing	hydraulic opening/closing
MANUAL RELEASE	reversible	release key	release key	release key
OPERATING CYCLE	very intensive use	very intensive use	very intensive use	very intensive use
ENVIRONMENTAL CONDITIONS	from -10°C to +60°	from -10°C to +60°	from -10°C to +60°	from -10°C to +60°
DEGREE OF PROTECTION	IP57	IP57	IP57	IP57
OPERATOR WEIGHT	87 N (~8,7 kg)	87 N (~8,7 kg)	87 N (~8,7 kg)	87 N (~8,7 kg)
DIMENSIONS	see drawing	see drawing	see drawing	see drawing
	LUX L	LUX G	LUX MB	
CONTROL PANEL	ALCOR N (suggested)	ALCOR N (suggested)	ALCOR N (suggested)	
REVERSIBLE/IRREVERSIBLE OPERATOR	reversible	reversible	irreversible	
POWER SUPPLY	230 V- ± 10%, 50 Hz single-phase	230 V- ± 10%, 50 Hz single-phase	230 V- ± 10%, 50 Hz single-phase	
ABSORBED POWER	250 W	250 W	250 W	
THERMAL PROTECTION	integrated	integrated	integrated	
ROD WORKING STROKE	270 mm	390 mm	270 mm	
ROD SPEED	8,3 mm/s	8,3 mm/s	10 mm/s	
OPENING AND CLOSING TIME	34 s	50 s	23 s	
SLOWDOWN	-	-	-	
IMPACT REACTION	hydraulic clutch	hydraulic clutch	hydraulic clutch	
TYPE OF LOCK	electric lock	electric lock	hydraulic closing	
MANUAL RELEASE	reversible	reversible	release key	
OPERATING CYCLE	very intensive use	very intensive use	very intensive use	
ENVIRONMENTAL CONDITIONS	from -10°C to +60°	from -10°C to +60°	from -10°C to +60°	
DEGREE OF PROTECTION	IP57	IP57	IP57	
OPERATOR WEIGHT	87 N (~8,7 kg)	112 N (~11,2 kg)	87 N (~8,7 kg)	
DIMENSIONS	see drawing	see drawing	see drawing	



DIMENSIONS



	L1	CU	L2
LUX / LUX B / LUX 2B / LUX MB / LUX L	715	270	1025
LUX G / LUX FC 2B	850	390	1300
LUX R2BSN2	710	250	1050

ACCESSORIES



D113706 00002 - ALCOR N

• Ideal control panel for one or two motors up to 230V/0.5 HP of the swing type. • Easy wiring thanks to extractable terminals

blocks. • Safety thanks to the AUTODIAGNOSIS function with LEDs for detecting faults. • Complete with incorporated two-channel receiver and pedestrian management. • Programming upgraded with the following functions: locked shut maintenance, 3/4 step logic, pedestrian closure, separate opening/closing. • Easy use with previous systems thanks to total compatibility with ALCOR SD.



D113693 00003 - RIGEL 5

• Universal control panel suitable for one or two 600W/230V motors (max 600+600W). • Easy to wire also for centralised

connections thanks to extractable terminals and the AUTODIAGNOSIS function. • Safety thanks to control of braking and the motor torque. • Complete with extractable 2-channel receiver, ready for fast coupling to receivers with greater capacity and advanced functions. • Total control of programming by digital display and three simple buttons.



P111376 - SCS 1

Serial connection board for QSC D MA, LIBRA C MA, LIBRA C MV, LIBRA C LX, VENERE D, LEO D MA, LEO MV, RIGEL 5 and ALTAIR P.

NEW 2008



P111408 - SCS WIE

Circuit board for direct connection of wiegand accessories (such as SELETTTO, COMPAS SLIM, etc) to the control units QSC D MA, LIBRA C MA, LIBRA C MV, LIBRA C LX, VENERE D, LEO D MA, LEO MV, RIGEL 5 and ALTAIR P.



D113050 - SPL

Preheating board for 1 or 2 LUX, SUB, ORO, P4,5-P7, BERMA and E5 operator models. With this accessory the operator is able to work at very low temperature.



D111704 - SSR5

Traffic light and preheating control board for RIGEL 5 control panel. The operator is able to work at -20° with this accessory.



D111013 - ME

12 Vac electric lock board.



P123001 00001 - EBP

230 Vac electric lock with zero stop resistance. Also available in 50 mm, 75 mm versions and at 24V.



D121017 - ECB SX

Left-hand horizontal electric lock. Also available in right-hand and vertical versions.



D730178 - PLE

Anchor plate used to weld brackets to masonry pillars.



D610180 - CLS

Release key for LUX B, ORO, SUB, PHOBOS N and PHOBOS N BT models (10-piece pack).



N728003 - IDROLUX R

Red hydraulic oil, 2 Lt can. Always fill up with oil of the same colour.

For system composition and installation refer to the regulations in force in the country where the system is being installed. The indicated data are not binding. BFT reserves the right to make modifications without prior notice.