

● Bobbins

Trelleborg Industrial AVS - Bobbins

A supplementary range of cylindrical mountings for a wide range of applications. They can be loaded either in compression or shear taking into consideration individual demands for actual applications.

Manufactured in natural rubber hardness 40° IRH or 60° IRH.



Type A



Type B



Type C



Type D

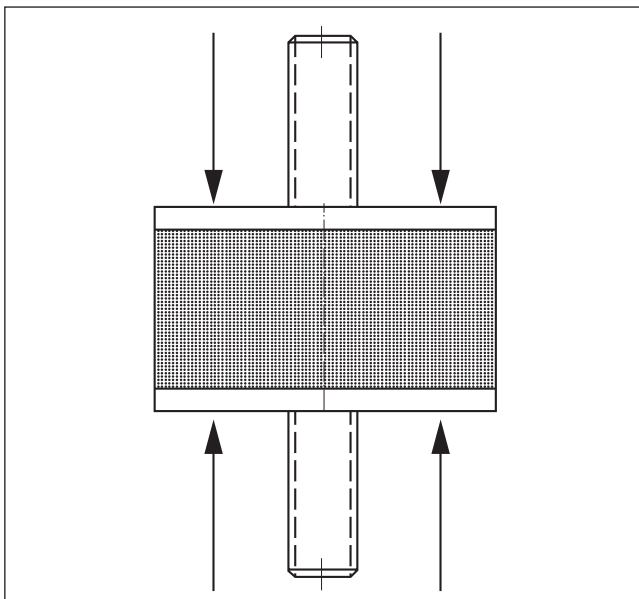


Type KD

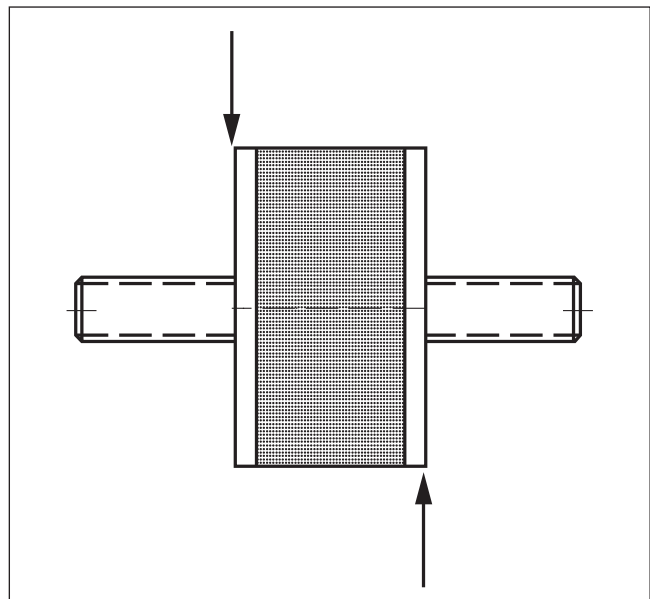


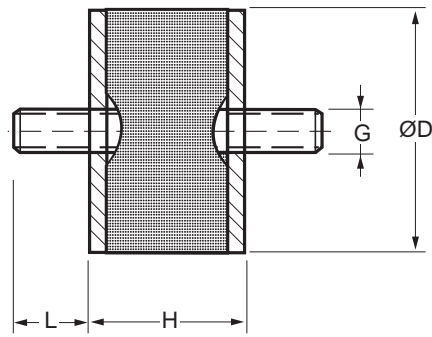
Type E

Compression load



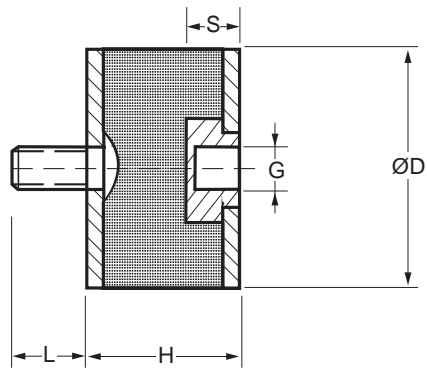
Shear load





Cylindrical mountings type A

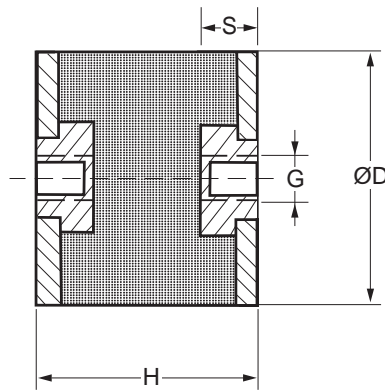
Type D/H	GxL	Art.No. 40° IRH	Art.No. 60° IRH	40° IRH				60° IRH				
				Compression load		Shear load		Compression load		Shear load		
				k_{comp} (N/mm)	F_{max} (N)	k_{shear} (N/mm)	F_{max} (N)	k_{comp} (N/mm)	F_{max} (N)	k_{shear} (N/mm)	F_{max} (N)	
A	10/10	M4x10	1255720					53	77	10	31	
A	10/15	M4x10	318600					31	56	6	23	
A	15/10	M4x10	318610					135	151	22	52	
A	15/15	M4x10	318620					73	133	13	52	
A	20/10	M6x15	318630	318640	162	170	19	42	309	324	41	92
A	20/15	M6x15	2255780	1255770	70	123	11	42	145	255	25	92
A	20/20	M6x15	2230950	1255300	45	110	8	42	96	235	18	92
A	20/25	M6x15	318650	1255780	33	105	6	42	72	227	14	92
A	20/30	M6x15	318660	318670	27	102	5	42	58	223	11	92
A	25/10	M6x15	318680	318690	314	330	29	66	574	603	64	144
A	25/15	M6x15	318700	318710	123	215	18	66	247	432	38	144
A	25/20	M6x15	318720	318730	75	184	13	66	157	385	27	144
A	25/25	M6x15	318740	318750	54	171	10	66	116	366	21	144
A	25/30	M6x15	318760	318770	43	164	8	66	93	356	17	144
A	30/15	M8x20	318780	1255830	237	378	28	95	453	723	61	208
A	30/20	M8x20	318790	1255320	129	295	19	95	261	600	42	208
A	30/25	M8x20	318800	318810	88	263	15	95	184	552	32	208
A	30/30	M8x20	1660730	1255840	67	248	12	95	143	529	26	208
A	30/35								117	516	22	208
A	30/40	M8x20	318820	318830	46	233	9	95	100	508	19	208
A	40/20	M8x20	318840	318850	275	632	34	170	534	1226	75	369
A	40/25								359	1076	58	369
A	40/30	M8x20	318860	318870	130	481	21	170	271	1002	47	369
A	40/40	M8x20	318880	318890	86	437	16	170	184	935	34	369
A	50/20	M10x25	318900	318910	564	1248	56	265	1042	2306	122	577
A	50/25	M10x25	318920	318930	335	976	42	265	652	1900	93	577
A	50/30	M10x25	1861540	1255870	234	846	34	265	472	1706	75	577
A	50/35	M10x25	318940	318950	180	774	29	265	371	1598	62	577
A	50/40	M10x25	318960	1255340	146	730	25	265	306	1533	54	577
A	50/45	M10x25	318970	1255880	123	701	22	265	261	1490	47	577
A	50/50	M10x25	318980	1255350	106	681	19	265	228	1460	42	577
A	75/40	M12x35	319000	319010	417	2032	57	596	827	4030	124	1299
A	75/50	M12x35	319020	319030	282	1766	44	596	579	3632	97	1299
A	75/55	M12x35	319040	319050	242	1689	40	596	504	3517	87	1299
A	100/40	M16x45	319060	319070	932	4541	102	1060	1755	8549	221	2309
A	100/55	M16x45	319080	319090	496	3455	71	1060	994	6929	155	2309



Cylindrical mountings type B

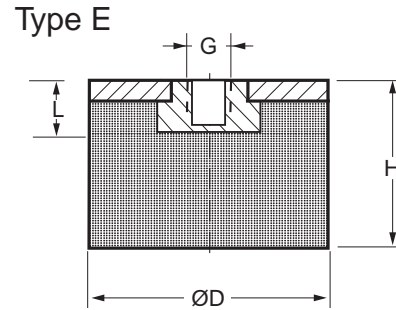
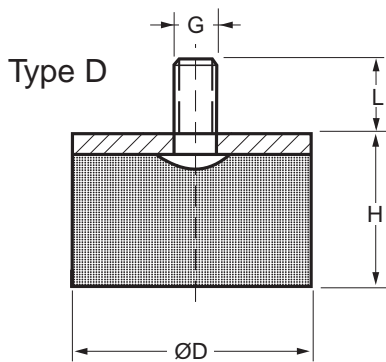
Type D/H	GxL (S)	Art.No. 60° IRH	60° IRH Compression load		Shear load	
			k_{comp} (N/mm)	F_{max} (N)	k_{shear} (N/mm)	F_{max} (N)
B 10/10	M4x10(4)	1255930	58	56	10	23
B 10/15	M4x10(4)	319100	34	52	6	23
B 15/15	M4x10(4)	319110	79	124	13	52
B 20/15	M6x15(6)	1255960	159	238	25	92
B 20/20	M6x15(6)	1255970	105	220	18	92
B 20/25	M6x15(6)	319120	79	213	14	92
B 25/15	M6x15(6)	1255990	269	404	38	144
B 25/20	M6x15(6)	319130	172	360	27	144
B 25/25	M6x15 (6)	319140	127	342	21	144
B 25/30	M6x15(6)	319150	101	333	17	144
B 30/15	M8x20(8)	319160	494	676	61	208
B 30/20	M8x20 (8)	1256040	285	561	42	208
B 30/25	M8x20(8)	319170	201	516	32	208
B 30/30	M8x20 (8)	1256060	156	495	26	208
B 30/40	M8x20(8)	319180	109	475	19	208
B 40/30	M8x20(8)	319190	296	937	47	369
B 40/40	M8x20(8)	319200	200	875	34	369
B 50/30	M10x25(10)	319210	515	1595	75	577
B 50/40	M10x25 (10)	319220	334	1433	54	577
B 50/50	M10x25 (10)	1256120	248	1365	42	577
B 75/50	M12x35(12)	319240	632	3396	97	1299
B 75/55	M12x35 (12)	319250	550	3288	87	1299
B 100/40	M16x45 (16)	319260	1914	7994	221	2309
B 100/55	M16x45(16)	319270	1084	6479	155	2309

S = internal thread length


Cylindrical mountings type C

Type	D/H	G(S)	Art.No. 60° IRH	60° IRH		Shear load	
				Compression load			
				k_{comp} (N/mm)	F_{max} (N)	k_{shear} (N/mm)	F_{max} (N)
C	15/15	M4(4)	1256210	86	112	13	52
C	20/20	M6(4)	66522	114	199	18	92
C	20/25	M6(6)	1256220	85	192	14	92
C	20/30	M6(6)	66548	69	189	11	92
C	25/20	M6(6)	1256230	186	325	27	144
C	25/25	M6(6)	319280	137	309	21	144
C	30/25	M8(8)	319300	218	466	32	208
C	30/30	M8(8)	1255410	169	447	26	208
C	30/35	M8(8)	319310	139	436	22	208
C	30/40	M8(8)	319320	118	429	19	208
C	40/30	M 8(8)	1255420	320	846	47	369
C	40/40	M 8(8)	1256260	217	790	34	369
C	50/30	M10(10)	1256270	558	1440	75	577
C	50/35	M10(10)	2255730	438	1349	62	577
C	50/40	M10(10)	1256280	361	1294	54	577
C	50/45	M10(10)	1256290	308	1257	47	577
C	50/50	M10(10)	1256300	269	1232	42	577
C	75/36	M12(12)	66746	1180	3635	141	1299
C	75/40	M12(12)	319330	977	3402	124	1299
C	75/45	M12(12)	319340	805	3202	109	1299
C	75/50	M12(12)	2256670	684	3066	97	1299
C	75/55	M12(12)	1255430	596	2969	87	1299
C	100/40	M16(16)	319350	2074	7217	221	2309
C	100/45	M16(16)	319360	1655	6587	193	2309
C	100/50	M16(16)	319370	1374	6156	172	2309
C	100/55	M16(16)	319380	1174	5849	155	2309

S = internal thread length



Cylindrical mountings type D/E/KD

Type D/H	GxL	Art.No. 40° IRH	Art.No. 60° IRH	Compression load	
				40° IRH F_{max} (N)	60° IRH F_{max} (N)
D 10/10	M4x10		319390		59
D 15/15	M4x10		319400		131
D 20/10	M6x15		319410		295
D 20/15	M6x15		319420		248
D 20/20	M6x15		319430		233
D 20/25	M6x15		319440		226
D 25/10	M6x15		319450		532
D 25/15	M6x15		319460		416
D 25/20	M6x15		319470		379
D 30/15	M8x20		319480		663
D 30/20	M8x20		319490		578
D 30/25	M8x20		1534870		542
D 30/30	M8x20		319500		523
D 40/25	M8x20		319510		1044
D 40/30	M8x20		319520		985
D 40/40	M8x20		319530		928
D 50/20	M10x25		319540		2094
D 50/30	M10x25		319550		1653
D 50/40	M10x25		319560		1512
D 50/45	M10x25		319570		1476
D 75/25	M12x35		319580		5446
D 75/40	M12x35		319590		3895
E 30/17	G(S) M8(8)	1256930	1661280	225	500
E 50/20	M10(10)		319600		1700
E 50/36	M10(10)	1659990	319610	550	1100
E 50/45	M10(10)		1659870		1000
KD 25/12	M6x16		1534150		300
KD 25/12	M6x18		1533450		250
KD 50/17	M10x28		1256940		1400

S = internal thread length