



Adapter Set HiD Device for Contrans I socket

HiD-CI-AO1-SET

- Set consisting of isolated barrier HiD2038 and adapter HiD-ADP-CI
- 2-channel isolated barrier
- 24 V DC supply (bus powered)
- Current output up to 650 Ω load
- SMART I/P and valve positioners
- Accuracy 0.1%
- Mounting to a V17111-110 Contrans I socket



Function

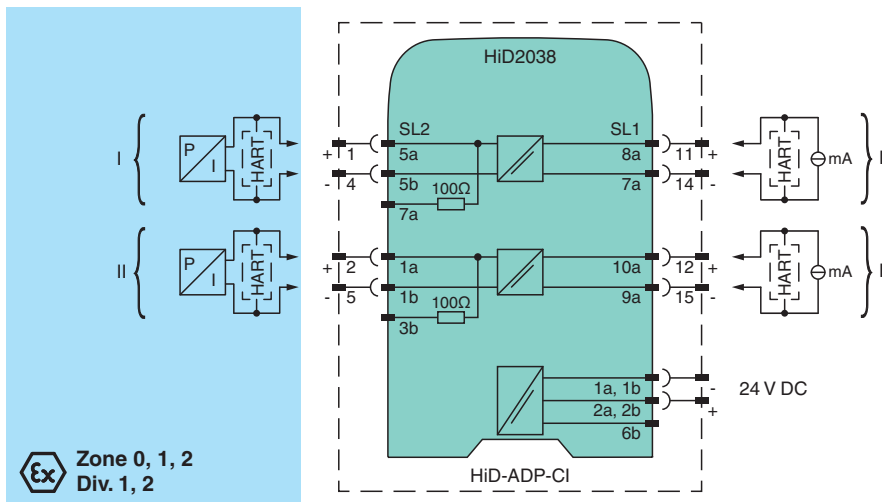
The device consists of a isolated barrier and the HiD-ADP-CI adapter.

This isolated barrier is used for intrinsic safety applications.

The device repeats the input signal from a control system to drive HART I/P converters, electrical valves, and positioners located in a hazardous area.

The device is mounted on the V17111-110 Contrans I socket.

Connection



Release date: 2022-01-05 Date of issue: 2022-01-05 Filename: 70125212_eng.pdf

Refer to "General Notes Relating to Pepperl+Fuchs Product Information".

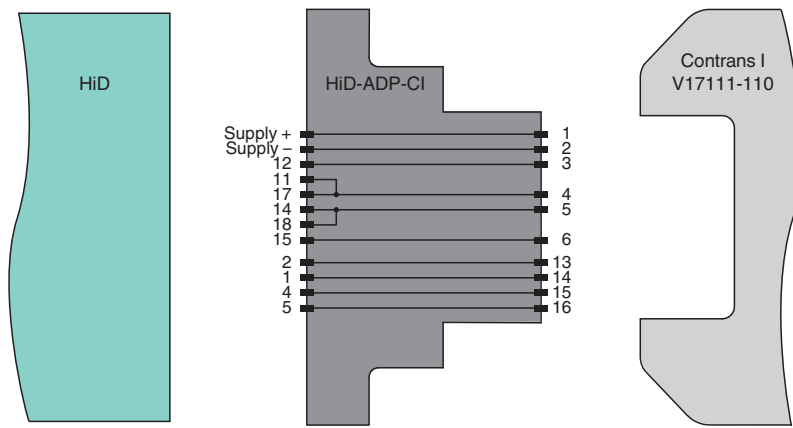
Pepperl+Fuchs Group
www.pepperl-fuchs.com

USA: +1 330 486 0002
pa-info@us.pepperl-fuchs.com

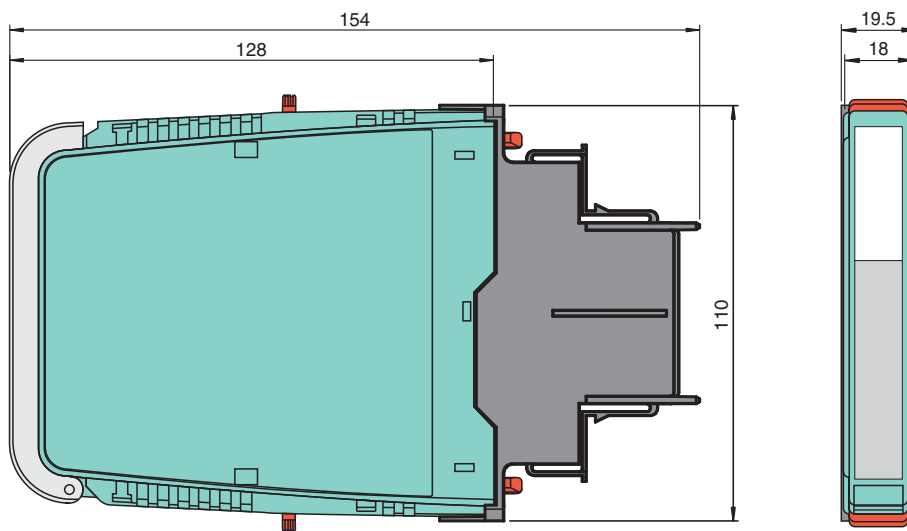
Germany: +49 621 776 2222
pa-info@de.pepperl-fuchs.com

Singapore: +65 6779 9091
pa-info@sg.pepperl-fuchs.com

PF PEPPERL+FUCHS



Dimensions



Technical Data

General specifications

Signal type Analog output

Supply

Nominal voltage 24 V DC , in consideration of rated voltage of used isolated barrier

Voltage drop 0.9 V with integrated decoupling diode

Reverse polarity protection yes

Electrical specifications

Connection see datasheet of isolated barrier

Input

Connection side control side

Output

Connection side field side

Indicators/settings

Display elements LEDs

Labeling space for labeling at the front

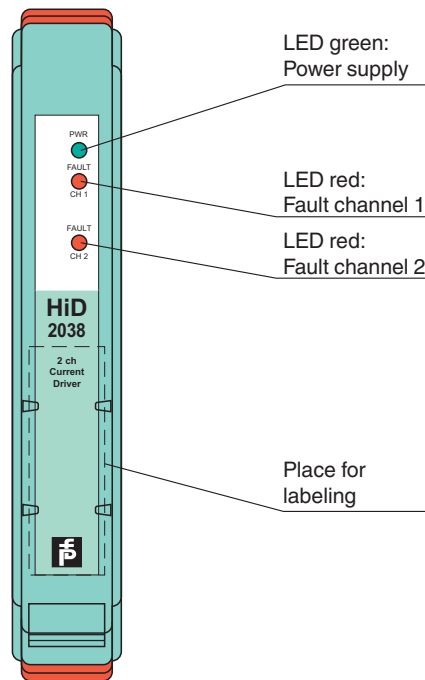
Release date: 2022-01-05 Date of issue: 2022-01-05 Filename: 70125212_eng.pdf

Technical Data

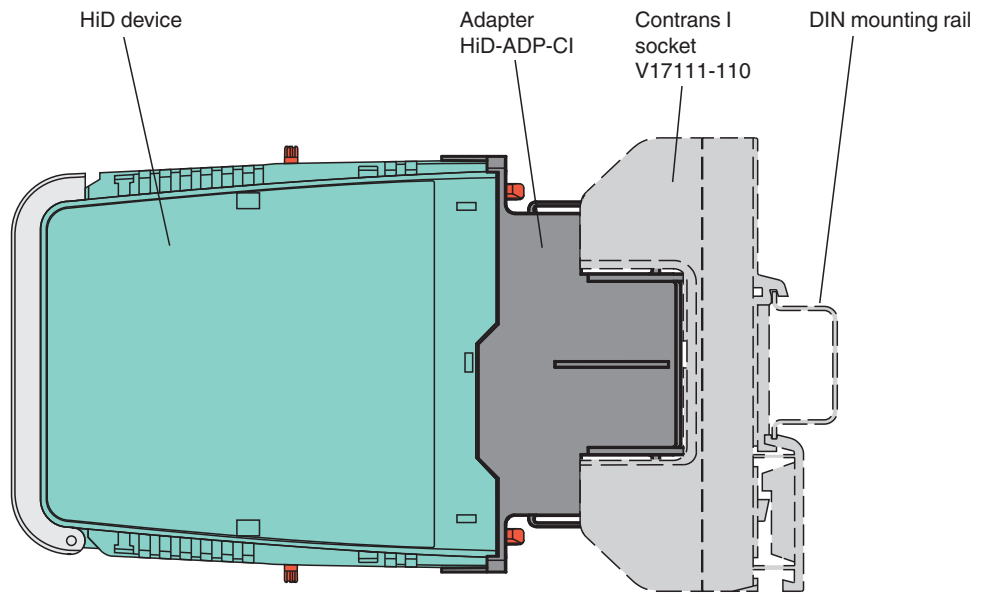
Directive conformity	
Electromagnetic compatibility	
Directive 2014/30/EU	see datasheet of isolated barrier
Conformity	
Electromagnetic compatibility	see datasheet of isolated barrier
Degree of protection	IEC 60529
Ambient conditions	
Ambient temperature	-20 ... 60 °C (-4 ... 140 °F)
Storage temperature	-25 ... 85 °C (-13 ... 185 °F)
Mechanical specifications	
Degree of protection	IP20
Mass	approx. 200 g
Dimensions	19.5 x 110 x 154 mm (0.77 x 4.3 x 6.1 inch) (W x H x D)
Mounting	on Contrans I socket
Data for application in connection with hazardous areas	
EU-type examination certificate	see datasheet of isolated barrier
International approvals	
IECEX approval	
IECEX certificate	see datasheet of isolated barrier
General information	
Supplementary information	Observe the certificates, declarations of conformity, instruction manuals, and manuals where applicable. For information see www.pepperl-fuchs.com .

Assembly

Front view



Release date: 2022-01-05 Date of issue: 2022-01-05 Filename: 70125212_eng.pdf



Release date: 2022-01-05 Date of issue: 2022-01-05 Filename: 70125212_eng.pdf

Refer to "General Notes Relating to Pepperl+Fuchs Product Information".

Pepperl+Fuchs Group
www.pepperl-fuchs.com

USA: +1 330 486 0002
pa-info@us.pepperl-fuchs.com

Germany: +49 621 776 2222
pa-info@de.pepperl-fuchs.com

Singapore: +65 6779 9091
pa-info@sg.pepperl-fuchs.com

Connection Assignment

Connection assignment of the adapter as interface between HiD device and V17111-110 Contrans I socket

	Control side						Field side			
Socket	1	2	3	4	5	6	13	14	15	16
Signal	Supply (+)	Supply (-)	Ch2(+)	Ch1(+)	Ch1(-)	Ch2(-)	Ch2(+)	Ch1(+)	Ch1(-)	Ch2(-)
HiD device	Supply (+)	Supply (-)	12	11; 17	14; 18	15	2	1	4	5