



WT4-2N132

SICK
Sensor Intelligence.



Illustration may differ



Ordering information

Type	Part no.
WT4-2N132	1012874

Other models and accessories → www.sick.com/

Detailed technical data

Features

Sensor/ detection principle	Photoelectric proximity sensor, Background suppression
Dimensions (W x H x D)	16 mm x 32 mm x 12 mm
Housing design (light emission)	Rectangular
Sensing range max.	4 mm ... 130 mm ¹⁾
Sensing range	4 mm ... 130 mm ¹⁾
Type of light	Visible red light
Light source	LED
Adjustment	Cable Single teach-in button

¹⁾ Object with 90 % reflectance (referred to standard white, DIN 5033).

Mechanics/electronics

Supply voltage	10 V DC ... 30 V DC
Power consumption	20 mA ¹⁾
Switching output	NPN
Switching mode	Light switching
Response time	< 500 μs ²⁾
Connection type	Cable, 2 m ³⁾
Conductor cross-section	0.25 mm ²
Housing material	Plastic, ABS
Optics material	Plastic, PMMA
Enclosure rating	IP67
Ambient operating temperature	-40 °C ... +60 °C

¹⁾ Without load.

²⁾ Signal transit time with resistive load.

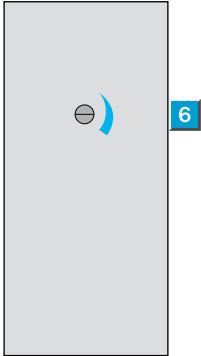
³⁾ Do not bend below 0 °C.

Ambient storage temperature

-40 °C ... +75 °C

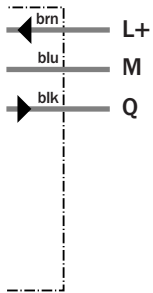
- 1) Without load.
- 2) Signal transit time with resistive load.
- 3) Do not bend below 0 °C.

Adjustments possible

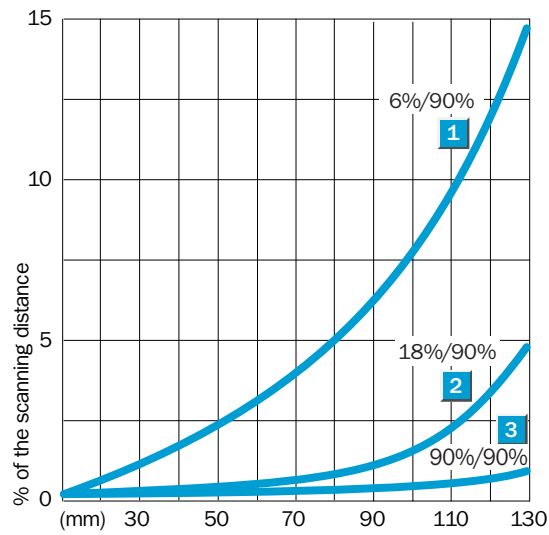


⊕ Adjustment of sensing range

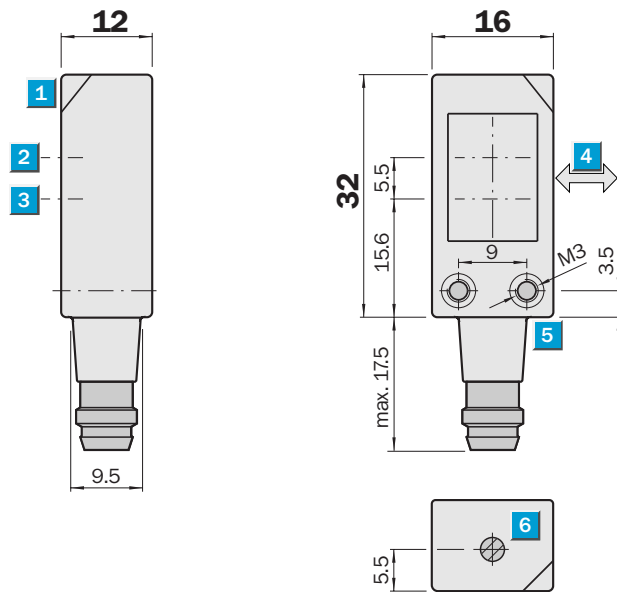
Connection diagram



Characteristic curve



Dimensional drawing (Dimensions in mm (inch))



- ① LED signal strength indicator
- ② Optical axis, receiver
- ③ Optical axis, sender
- ④ Standard direction of the material being detected
- ⑤ Threaded mounting hole M3
- ⑥ Adjustment of sensing range

SICK AT A GLANCE

SICK is one of the leading manufacturers of intelligent sensors and sensor solutions for industrial applications. A unique range of products and services creates the perfect basis for controlling processes securely and efficiently, protecting individuals from accidents and preventing damage to the environment.

We have extensive experience in a wide range of industries and understand their processes and requirements. With intelligent sensors, we can deliver exactly what our customers need. In application centers in Europe, Asia and North America, system solutions are tested and optimized in accordance with customer specifications. All this makes us a reliable supplier and development partner.

Comprehensive services complete our offering: SICK LifeTime Services provide support throughout the machine life cycle and ensure safety and productivity.

For us, that is “Sensor Intelligence.”

WORLDWIDE PRESENCE:

Contacts and other locations –www.sick.com