

CH - CABLE CRIMPING HEADS



Choice of 7 models available

Supplied complete with die sets

Working pressure 700 Bar

The CH hydraulic cable crimping tool range offers 7 models with a choice of open “C” jaw or parallel guide design. All models are supplied complete with standard die sets and a carrying case. Models with 180° rotating head are designed for easy access into confined spaces. Suitable pump units include HP227FPC foot operated pump set which includes elbow fitting, gauge, gauge block, 3 metre hose and male coupler, as shown below. Standard hand operated pumps suitable for use with CH crimper heads can be found on pages 31-33. All models, excluding CH1000, are available as a complete kit, comprising of HP227FPC, CSB1 metal storage case and selected crimping tool with die sets.

- >> Model CH21 is suitable for crimping non-insulated terminals up to 240mm²
- >> Models CH30, CH32 & CH40 are suitable for crimping connectors up to 400mm²
- >> Models CH63 & CH80 are suitable for crimping connectors up to 630mm²
- >> Model CH1000 is suitable for crimping distribution and transmission lines up to 1000mm²



Crimping tools complete with die set:

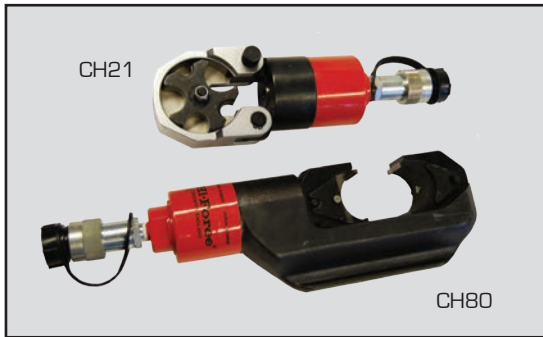
Model number	Output tonnes	C-Jaw opening	Applicable range DIN mm ²	Standard dies mm ²	Length mm	Weight kg
CH21	10	not applicable	16-240	With die (4pcs) 16-25, 35-70, 70-185, 240 Female die (1pc) 25-35, 50-70, 95-120, 150-185, 240	210	3.0
CH30	12	30 mm	35-400	With die 35, 50, 70, 95, 120, 150, 185, 240, 300, 400	220	4.0
CH32	18	not applicable	16-400	With die (4pcs) 16, 25-35, 50-120, 150-400 Female die (8pcs) 16-25, 35-70, 95-120, 150, 185, 240, 300, 400	210	3.6
CH40	12	38 mm	35-400	With die 35, 50, 70, 95, 120, 150, 185, 240, 300, 400	245	4.8
CH63	18	not applicable	35-630	With die 35, 50, 70, 95, 120, 150, 185, 240, 300, 400, 500, 630	240	4.8
CH80	15	50 mm	35-630	With die 35, 50, 70, 95, 120, 150, 185, 240, 300, 400, 500, 630	300	7.0
CH1000	55	not applicable	500-1000	With die 500, 630, 800, 1000	450	30.7

Complete set:

Model number	Description
CHP21	Comprehensive kit, comprising of crimper CH21, manual operated foot pump HP227FPC and steel box CSB1
CHP30	Comprehensive kit, comprising of crimper CH30, manual operated foot pump HP227FPC and steel box CSB1
CHP32	Comprehensive kit, comprising of crimper CH32, manual operated foot pump HP227FPC and steel box CSB1
CHP40	Comprehensive kit, comprising of crimper CH40, manual operated foot pump HP227FPC and steel box CSB1
CHP63	Comprehensive kit, comprising of crimper CH63, manual operated foot pump HP227FPC and steel box CSB1
CHP80	Comprehensive kit, comprising of crimper CH80, manual operated foot pump HP227FPC and steel box CSB1

Note : Models CH21 & CH32 supplied with single indent dies, all other models supplied with hexagon dies.

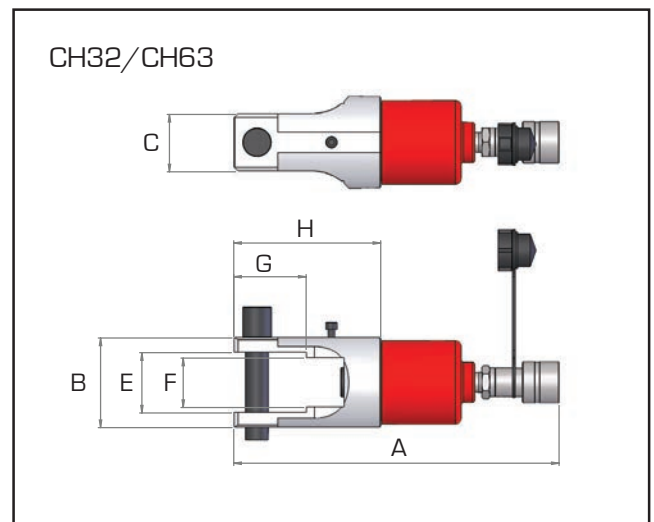
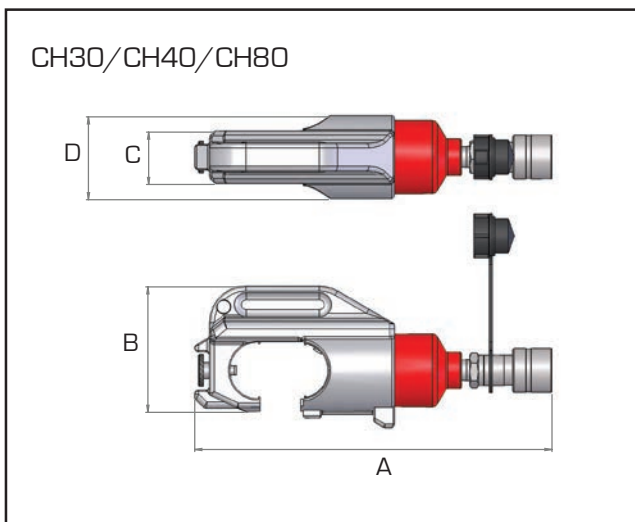
CH - CABLE CRIMPING HEADS



All fitted with standard quick connect coupler

Choice of 'C' jaw or parallel guide design

Designed for easy access in confined spaces



Model Number	Dimensions in mm							
	A	B	C	D	E	F	G	H
CH21	278	88	28	-	-	-	-	-
CH30	294	105	43	68	-	-	-	-
CH32	284	78	50	-	53	43	63	96
CH40	326	113	43	74	-	-	-	-
CH63	319	78	50	-	49	-	163	-
CH80	370	106	63	-	-	-	-	-
CH1000	455	210	60	-	100	-	285	-

Note: CH21 and CH1000 dimensional drawings are not shown.

OPTIONAL DIE SETS

In addition to the standard die sets, which are supplied with each of the crimping tools as specified on the previous page, optional die sets are available as per the below table.

Model Number	Description
CD10	Die set 10mm ² , suitable for crimping tool CH30, CH40 & CH63
CD16	Die set 16mm ² , suitable for crimping tool CH30, CH40 & CH63
CD25	Die set 25mm ² , suitable for crimping tool CH30, CH40 & CH63