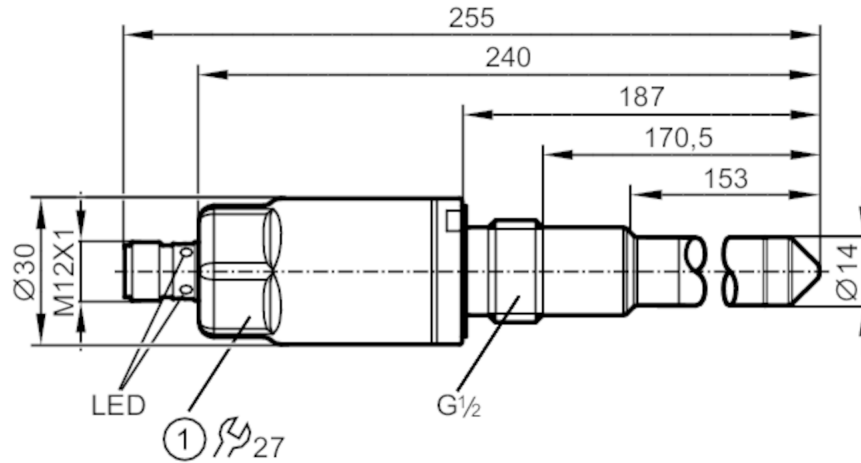


# LMT104



## Sensor for point level detection

LMDCE-A12E-QSKG-2/US



1 Tightening torque 20...25 Nm



### Product characteristics

Number of inputs and outputs	Number of digital outputs: 2
Factory setting	hydrous media
Process connection	threaded connection G 1/2 sealing cone

### Application

Special feature	Gold-plated contacts
Media	Liquids; viscous media; powder
Recommended media	water; hydrous media; oils; oil-based media; powder
Cannot be used for	See the operating instructions, chapter "Function and features".
Probe length [mm]	153
Tank pressure [bar]	-1...40
MAWP (for applications according to CRN) [bar]	40

Oil	
Medium temperature [°C]	-20...100
Medium temperature short time [°C]	-20...150; (1 h)
Water	
Medium temperature [°C]	-20...100
Medium temperature short time [°C]	-20...150; (1 h)

### Electrical data

Operating voltage [V]	18...30 DC
Current consumption [mA]	< 50
Protection class	III
Reverse polarity protection	yes

### Inputs / outputs

Number of inputs and outputs	Number of digital outputs: 2
------------------------------	------------------------------

# LMT104



## Sensor for point level detection

LMDCE-A12E-QSKG-2/US

Outputs		
Total number of outputs		2
Output signal		switching signal; IO-Link
Electrical design		PNP/NPN
Number of digital outputs		2
Output function		normally open / normally closed; (parameterisable)
Max. voltage drop switching output DC	[V]	2.5
Permanent current rating of switching output DC	[mA]	100
Short-circuit protection		yes
Type of short-circuit protection		pulsed
Overload protection		yes
Measuring/setting range		
Factory setting		hydrous media
Response times		
Response time	[s]	< 0.5
Interfaces		
Communication interface		IO-Link
Transmission type		COM2 (38,4 kBaud)
IO-Link revision		1.1
SDCI standard		IEC 61131-9
Profiles		Smart Sensor: Process Data Variable; Device Identification
SIO mode		yes
Required master port type		A
Process data analogue		1
Process data binary		2
Min. process cycle time	[ms]	2.3
Supported DeviceIDs	Type of operation	DeviceID
	Default	370
Operating conditions		
Ambient temperature	[°C]	-20...85
Note on ambient temperature		Medium temperature: < 100 °C
		-20...60 °C
Storage temperature	[°C]	Medium temperature: < 150 °C
		-40...85
Protection		IP 68; IP 69K
Tests / approvals		
EMC	DIN EN 61000-6-2	
	DIN EN 61000-6-4	: closed tanks
Shock resistance	DIN EN 60068-2-27	50 g (11 ms)
Vibration resistance	DIN EN 60068-2-6	8 g (10...2000 Hz)
MTTF	[years]	222
UL approval	UL Approval no.	H001

# LMT104



## Sensor for point level detection

LMDCE-A12E-QSKG-2/US

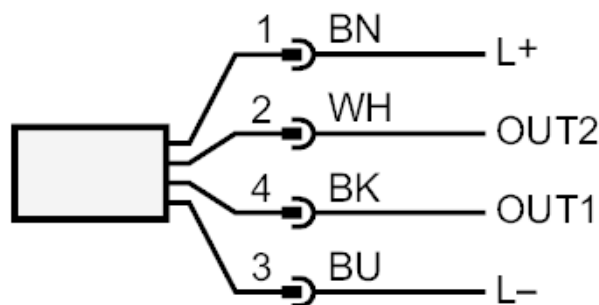
Mechanical data		
Weight	[g]	321.5
Materials	stainless steel (1.4404 / 316L); stainless steel (1.4571/316Ti ); PEEK; PEI; FKM	
Materials (wetted parts)	stainless steel (1.4404 / 316L); stainless steel (1.4571/316Ti ); PEEK; surface characteristics: Ra < 0,8 / Rz 4; FKM	
Process connection	threaded connection G 1/2 sealing cone	
Displays / operating elements		
Display	switching status	LED, yellow
	operating status	LED, green
Remarks		
Pack quantity	1 pcs.	

### Electrical connection

Connector: 1 x M12; Contacts: gold-plated



### Connection



OUT1: switching output IO-Link Teach

OUT2: switching output

colours to DIN EN 60947-5-2

Core colours :

BK = black

BN = brown

BU = blue

WH = white