

**M8-Round-Plug Connector, Single-Ended Cordsets,
According to IEC 61976-2-104**

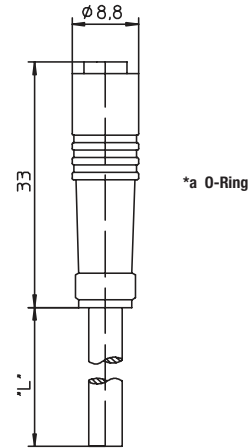
RKM | RKMW



3- and 4-Poles

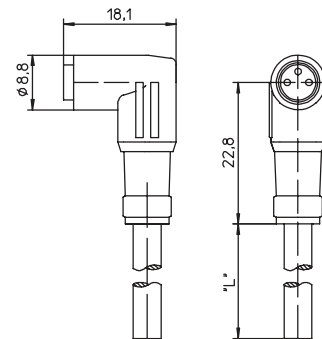
Actuator/sensor cordset, single-ended, M8
3- and 4-poles, female straight connector with
snap-in joint and molded cable.

RKM



Actuator/sensor cordset, single-ended, M8 3-
and 4-poles, female 90° connector with snap-in
joint and molded cable.

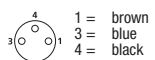
RKMW



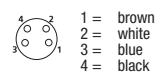
Pin Assignments

M8

3 poles



4 poles





Be Certain with Belden

M8-Round-Plug Connector, Single-Ended Cordsets, According to IEC 61976-2-104

RKM 3 | RKM 4 | RKMW 3 | RKMW 4

Technical Data

Environmental

Degree of protection IP 65
Operating temperature range -40°C (-40°F) / +90°C (+194°F)

Mechanical

Housing / Molded body TPU
Insert PA / TPU
Contact CuZn, pre-nickelated and 0.8 microns gold-plated
Coupling nut CuZn, nickel-plated

Electrical data

Contact resistance ≤ 5 mΩ
Nominal current at 40°C 4 A
Nominal voltage 3 poles 60 V
4 poles 30 V
Rated voltage 3 poles 63 V
4 poles 36 V
Test voltage 3 poles 1.5 kV eff. / 60 s
4 poles 0.8 kV eff. / 60 s
Insulation resistance > 10⁹ Ω
Pollution degree 3

Cable Specifications

Cable No.	Outer Jacket	Conductor Size	Jacket Color	OD
06	PVC	3 x 0.34 mm ²	Orange	.197" (5.0 mm)
07	PVC	4 x 0.75 mm ²	Orange	.197" (5.0 mm)
224	PUR, halogen-free	3 x 0.34 mm ²	Black	.169" (4.3 mm)
225	PUR, halogen-free	4 x 0.34 mm ²	Black	.185" (4.7 mm)

Part Number	Pins	Outer Jacket	Standard Cable Lengths	Characteristics
RKM 3-06/...M	3	PVC	2 M / 5 M / 10 M	
RKM 3-224/...M		PUR, halogen-free	2 M / 5 M / 10 M	
RKM 4-07/...M	4	PVC	2 M / 5 M / 10 M	
RKM 4-225/...M		PUR, halogen-free	2 M / 5 M / 10 M	

Mouser Electronics

Authorized Distributor

Click to View Pricing, Inventory, Delivery & Lifecycle Information:

Lumberg Automation:

[RKMW 3-224/10 M](#) [RKM 4-07/5 M](#) [RKMW 4-225/2 M](#) [RKMW 4-225/3 M](#) [RKMW 4-225/4 M](#) [RKMW 4-225/5 M](#)
[RKMW 4-225/6 M](#) [RKMW 3-06/5 M](#) [RKMW 3-224/2 M](#) [RKMW 3-224/5 M](#) [RKMW 4-07/10 M](#) [RKMW 4-07/2 M](#)
[RKMW 4-225/0,7 M](#) [RKM 3-224/2 M](#) [RKM 3-224/5 M](#) [RKM 4-225/10 M](#) [RKM 4-225/2 M](#) [RKM 4-225/5 M](#) [RKMW 3-06/2 M](#) [RKM 3-06/10 M](#) [RKM 3-06/2 M](#) [RKM 3-06/5 M](#)