

MOVIDRIVE® MOVITRAC® 31C MOVIDYN® MOVIMOT®

Addendum to the Installation and Operating Instructions

UWS11A Interface Adapter

Edition 06/98

- This addendum does not replace the detailed Installation and Operating Instructions!
- Equipment may only be installed by qualified electrical personnel in compliance with the applicable accident prevention regulations and the Installation and Operating Instructions!



UWS11A Interface Adapter

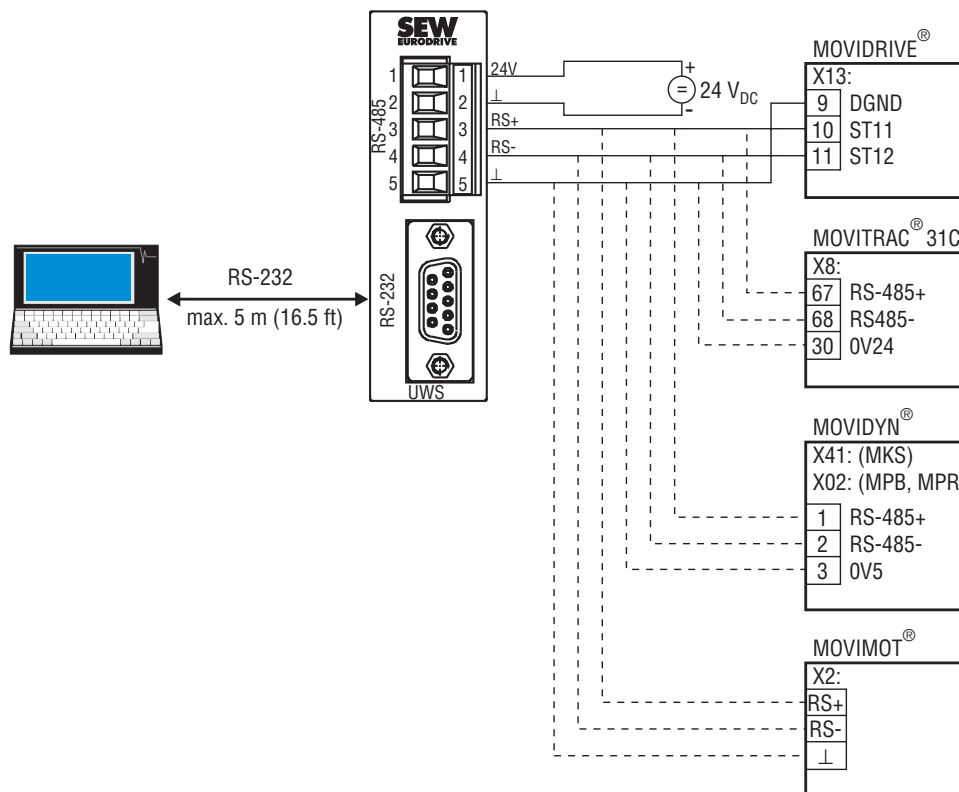
(Part number 822 689 X)

The UWS11A option converts RS-232 signals (e.g. from a PC) to RS-485 signals which are then routed to the RS-485 interface of the respective unit.

The UWS11A requires a 24 V_{DC} power supply in accordance with EN61131-2, $V_{IN} = 24 V_{DC} -15\% / +20\%$ (range 19.2...30 V_{DC}). The maximum power consumption of the option is $I_{max} = 100 \text{ mA}$.

The connection between the UWS11A and the PC is made with a shielded commercial interface cable (max. length 5 m (16.5 ft)).

The RS-485 interface allows up to 32 units to be networked for communications purposes (max. cable length = 200 m (660 ft)). The UWS11A option has inbuilt dynamic terminating resistors, external terminating resistors must not be connected!



01744AXX

The UWS11A is mounted on a DIN rail (EN50022-35 × 7.5) in the switch cabinet.

Dimensions UWS11A in mm (in): W × H × D = 22.5 (0.89) × 75 (2.96) × 83 (3.27)

