

## HPX - MANUALLY OPERATED ULTRA HIGH PRESSURE PUMP



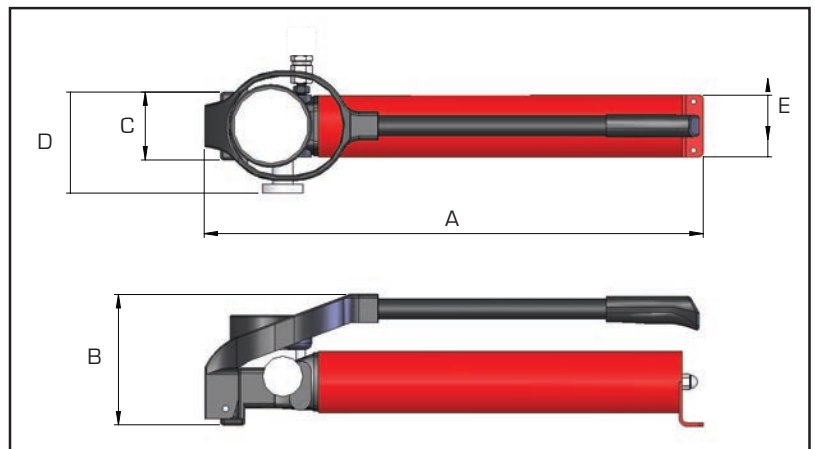
Compact design

Two speed operation

Working pressure up to 2800 Bar

The HPX range of manually operated ultra high pressure hydraulic pumps is specifically designed for high pressure applications such as oil injection for bushing removal, valve testing, calibration of high pressure equipment and instruments, laboratory burst and proof testing, etc. The two speed operation, on both the HPX1500 and HPX2800 incorporates automatic changeover from low to high pressure at 20 Bar, enabling smooth and low operator handle effort. Both models are fitted with a dual scale gauge reading Bar and PSI contained within a bespoke loop handle and feature a mesh casing to protect the gauge from accidental damage.

- >> Lightweight aluminium construction
- >> Factory set safety relief valve
- >> External pressure release valve
- >> Low handle effort
- >> Oil reservoir capacity of 1.2 litres



Model number	Working pressure Bar	Usable oil capacity litres	Displacement per stroke (cm <sup>3</sup> )		Outlet port	Weight kg
			1 <sup>st</sup> stage	2 <sup>nd</sup> stage		
<b>HPX1500</b>	1500	1.2	20.0	1.0	1/4" BSP	6.5
<b>HPX2800</b>	2800	1.2	20.0	0.8	9/16"-18 UNF	6.5

Dimensions in mm				
A	B	C	D	E
617	161	84	125	76
617	161	84	125	76

Optional hoses :

Model number	Working pressure Bar	Description
<b>XHH3-15</b>	1500	3 metres hose with 1/4" BSP male thread each end
<b>XHH5-15</b>	1500	5 metres hose with 1/4" BSP male thread each end
<b>XHH3-30</b>	3000	3 metres hose with 9/16" UNF male coned thread each end
<b>XHH5-30</b>	3000	5 metres hose with 9/16" UNF male coned thread each end