



Product information STAS 3 K 075 SI 1000mm grau/grey

Industrial Connecting Solutions:Rectangular Connectors:Power Connectors (ST series):Cable plug:STAS 3 K 075 SI 1000mm grau/grey

<http://www.e-catalog.beldensolutions.com/link/57078-24228-256261-24351-24355-36005/en/conf/ui/state>

Name STAS 3 K 075 SI 1000mm grau/grey



Molded-on cable plug with harmonized lead (DIN VDE 0282) and safety bracket

Delivery informations

Availability available

Product description

Description Molded-on cable plug with harmonized lead (DIN VDE 0282) and safety bracket

Type STAS 3 K 075 SI 1000mm grau/grey

Order No. 931 300-055

Type of contact male

Number of contacts 3 + PE

Cable color black

Cable length 1000 mm

Cable diameter 7.5 mm

Conductor size 0.75 mm²

Cable specification 4 x 0.75 mm²

Cable type H05 RR-F4G 0,75

Housing Color grey

Contact bearer color black

Technical data

Pin dimensions 2 mm

Rated voltage AC 400 V / DC 250 V

Rated current DC 10 A / AC 10 A

Contact resistance <= 5 mOhm

Material

Contact material Cu Zn

Contact surface material Sn

Contact bearer material PA

Housing material PA

Environmental conditions

Protection class (IEC 60529) IP 54

Pollution severity 3

Temperature range -30°C to +90°C (connector) / -25°C to +60°C (cable)

Inflammability class

Housing UL 94 HB

Cable VDE 0472 part 804

Contact bearer UL 94 HB

Approvals

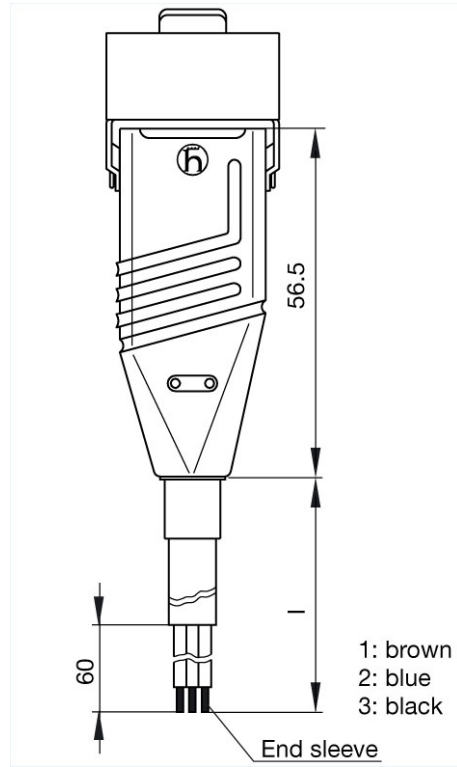
VDE VDE

SEV SEV

Packing unit

Packaging unit 50 pieces

Picture
Drawing



Belden Deutschland GmbH
Im Gewerbepark 2
58579 Schalksmühle
Germany
Phone: +49 7127/14-1806
E-Mail: icos-sales@belden.com

The information published in the websites has been compiled as carefully as possible. It is subject to alteration without notice in technical as well as in price-related/commercial respect.
The complete information and data were available on user documentation. Mandatory information can only be obtained by a concrete query.