

PN7026



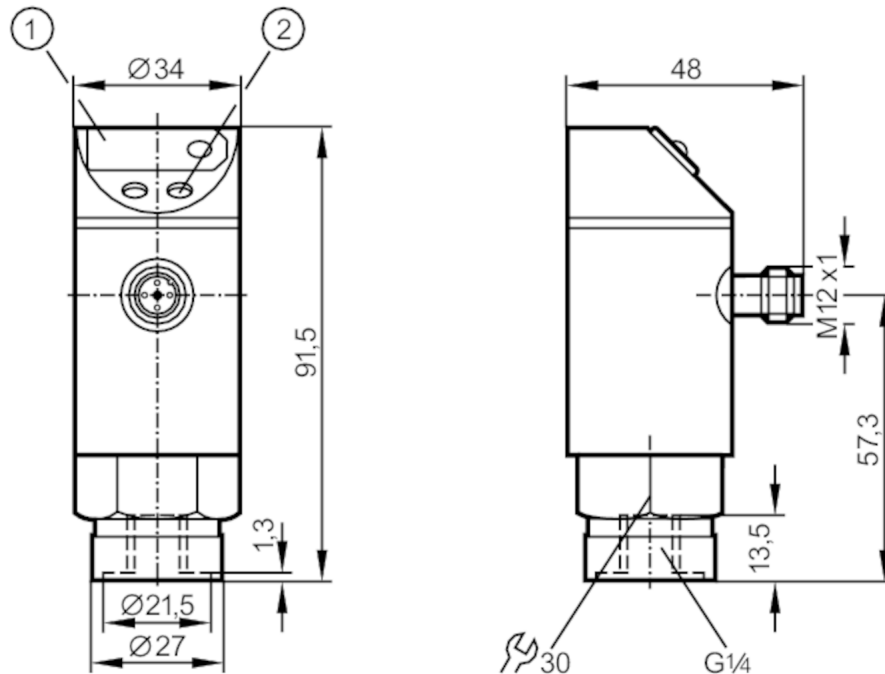
Pressure sensor with display

PN-2,5-RBR14-QFPKG/US/ IV

Article no longer available - archive entry

Alternative articles: PN7006

When selecting an alternative article and accessories please note that technical data may differ!



- 1 7-segment LED display
- 2 Programming button



Product characteristics

Output signal	switching signal
Measuring range [bar]	0...2.5
Process connection	threaded connection G 1/4 Internal thread

Application

System	gold-plated contacts
Application	for industrial applications
Media	liquids and gases
Medium temperature [°C]	-25...80
Min. bursting pressure [bar]	50
Pressure rating [bar]	20
Type of pressure	relative pressure

PN7026



Pressure sensor with display

PN-2,5-RBR14-QFPKG/US/ IV

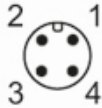
Electrical data										
Operating voltage [V]	18...30 DC									
Current consumption [mA]	< 60									
Min. insulation resistance [MΩ]	100; (500 V DC)									
Protection class	III									
Reverse polarity protection	yes									
Power-on delay time [s]	0.2									
Integrated watchdog	yes									
Inputs / outputs										
Number of inputs and outputs	Number of digital outputs: 2									
Outputs										
Total number of outputs	2									
Output signal	switching signal									
Electrical design	PNP									
Number of digital outputs	2									
Output function	normally open / closed; (configurable)									
Max. voltage drop switching output DC [V]	2									
Permanent current rating of switching output DC [mA]	250									
Short-circuit protection	yes									
Type of short-circuit protection	yes (non-latching)									
Overload protection	yes									
Measuring/setting range										
Measuring range [bar]	0...2.5									
Set point SP [bar]	0.02...2.5									
Reset point rP [bar]	0.01...2.48									
In steps of [bar]	0.01									
Accuracy / deviations										
Switch point accuracy [% of the final value]	< ± 1,0									
Repeatability [% of the final value]	< ± 0,25; (with temperature fluctuations < 10 K)									
Temperature drift per 10 K	< ± 0.3									
Reaction times										
Switching frequency for a given set response time of one output	Response time [ms]	3	6	10	17	30	60	125	250	500
	Switching frequency [Hz]	170	80	50	30	16	8	4	2	1
Response time [ms]	at rectangular pressure characteristic; Set point (SPx) = 70 %; Reset point (rPx) = 30 %									
Delay time programmable dS, dr [s]	0, 0,2,...10, 11,...50									

PN7026



Pressure sensor with display

PN-2,5-RBR14-QFPKG/US/ IV

Software / programming		
Adjustment of the switch point	Programming button	
Parameter setting options	hysteresis / window; normally open / closed; switch-on/switch-off delay; Damping	
Operating conditions		
Ambient temperature [°C]	-25...80	
Storage temperature [°C]	-40...100	
Protection	IP 65	
Tests / approvals		
EMC	EN 61000-4-2 ESD	4 kV CD / 8 kV AD
	EN 61000-4-3 HF radiated	10 V/m
	EN 61000-4-4 Burst	2 kV
	EN 61000-4-6 HF conducted	10 V
Shock resistance	DIN IEC 68-2-27	50 g (11 ms)
Vibration resistance	DIN IEC 68-2-6	20 g (10...2000 Hz)
Mechanical data		
Material	EPDM/X; FKM; PA; PBT; PC; PTFE; stainless steel (1.4301 / 304)	
Materials (wetted parts)	stainless steel (1.4305 / 303); ceramics; FKM	
Min. pressure cycles	100 million	
Process connection	threaded connection G 1/4 Internal thread	
Displays / operating elements		
Display	Switching status	2 x LED, red
	Function display	7-segment LED display
	Measured values	7-segment LED display
Remarks		
Pack quantity	1 pcs.	
Electrical connection		
Connector: 1 x M12; Contacts: gold-plated		
		

PN7026



Pressure sensor with display

PN-2,5-RBR14-QFPKG/US/ IV

Connection

