

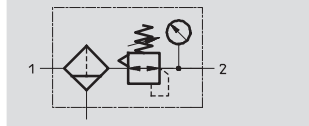
# LFR Filter/Regulators – D Series, NPT

## Technical Data

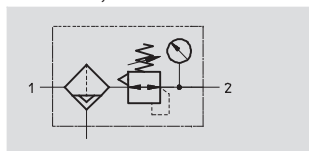
### Function

LFR...-D-...

Condensate drain manual



semi- or fully automatic



### Flow rate

110 ... 11,000 l/min

### Temperature range

-10 ... +60 °C

### Pressure

1 ... 16 bar



- Space-saving design with filter and regulator in a single unit
- Good particle separation and high flow rate
- Good regulating characteristics with minimal hysteresis
- Two pressure regulation ranges: 0.5 ... 7 bar and 0.5 ... 12 bar
- Two pressure gauge connections for flexible installation
- With manual, semi-automatic or fully automatic condensate drain
- Setting values are secured by locking the rotary knob
- Choice of filter cartridges: 5 µm or 40 µm
- Filter cartridges → lfp
- Pressure sensor (optional) → pev

General technical data									
Size	Micro	Mini	Midi			Maxi			
Pneumatic connection	1/8 NPT	1/8 NPT	1/4 NPT	3/8 NPT	3/8 NPT	1/2 NPT	3/4 NPT	3/4 NPT	1 NPT
Operating medium	Compressed air								
Design	Directly actuated diaphragm regulator							Pilot actuated piston regulator	
								Directly actuated diaphragm regulator	
Type of mounting	Via accessories								
	In-line installation								
	Front panel mounting								
Assembly position	Vertical ±5°								
Grade of filtration [µm]	5	5 or 40							
Max. hysteresis [bar]	0.3	0.2						0.4	
Pressure regulation range [bar]	0.5 ... 7	0.5 ... 7							
		0.5 ... 12							
Pressure indication	Via pressure gauge								
Port connection	M5	G1/8			G1/4			G1/4	
Max. condensate volume [cm <sup>3</sup> ]	3	22			43			80	
Input pressure [bar]									
Condensate drain	Manual	1 ... 10		1 ... 16					
	Semiautomatic	1 ... 10		-					
	Fully automatic	-		2 ... 12					

Note: This product conforms to ISO 1179-1 and ISO 228-1

# LFR Filter/Regulators – D Series, NPT

Technical Data



Standard nominal flow rate <sup>1)</sup> qnN [l/min]	
Connection	Port block 1/8 NPT
Micro	
LFR	410

Standard nominal flow rate <sup>1)</sup> qnN [l/min]						
Connection	1/8 NPT	1/4 NPT	3/8 NPT	1/2 NPT	3/4 NPT	1 NPT
Mini						
LFR-...-D-...	750	1400	1600	–	–	–
LFR-...-D-7-...	900	1500	1700	–	–	–
LFR-...-D-5M-...	650	1200	1350	–	–	–
Midi						
LFR-...-D-...	–	2000	3100	3400	3400	–
LFR-...-D-7-...	–	2100	3200	3900	4000	–
LFR-...-D-5M-...	–	1600	2400	2600	2600	–
Maxi						
LFR-...-D-...	–	–	–	9400	9700	10000
LFR-...-D-7-...	–	–	–	9500	10000	11000
LFR-...-D-5M-...	–	–	–	7500	7600	8000

Ambient conditions				
Size	Micro	Mini	Midi	Maxi
Ambient temperature [°C]	–10 ... +60			
Temperature of medium [°C]	–10 ... +60			
Corrosion resistance class CRC <sup>2)</sup>	2			

1) Measured at p<sub>1</sub> = 10 bar, p<sub>2</sub> = 6 bar and Δp = 1 bar.

2) Corrosion resistance class 2 according to Festo standard 940 070

Components requiring moderate corrosion resistance. Externally visible parts with primarily decorative surface requirements which are in direct contact with a normal industrial environment or media such as coolants or lubricating agents.

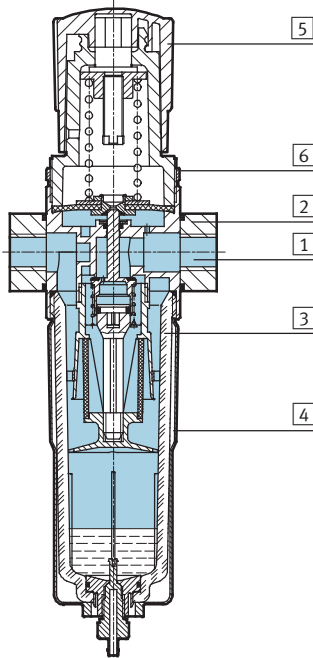
Weight [g]						
Size	Micro		Mini	Midi	Maxi	
	Female thread	Port block			Connection 3/4 NPT	Connection 1 NPT
With pressure gauge						
LFR-...	74	94	460	920	1370	1470
LFR-...-DI	–	–	–	–	1670	1670
LFRS-...	–	–	560	1160	1470	1570
LFRS-...-DI	–	–	–	–	1950	1950
Without pressure gauge						
LFR-...	64	84	410	830	1300	1400
LFR-...-DI	–	–	–	–	1600	1600
LFRS-...	–	–	510	1070	1400	1500
LFRS-...-DI	–	–	–	–	1880	1880

# LFR Filter/Regulators – D Series, NPT

Technical Data

## Materials

Sectional view



Filter regulator	Micro	Mini/Midi/Maxi
1 Housing	Wrought aluminum alloy	Die-cast zinc
2 Port blocks	Wrought aluminum alloy	Die-cast zinc/aluminum
3 Bowl	Polycarbonate	Polycarbonate
4 Metal bowl guard	–	Aluminum
5 Regulating knob	Polyacetal	Polyacetal
6 Knurled nut	Wrought aluminum alloy	Aluminum
– Seals	Nitrile rubber	Nitrile rubber

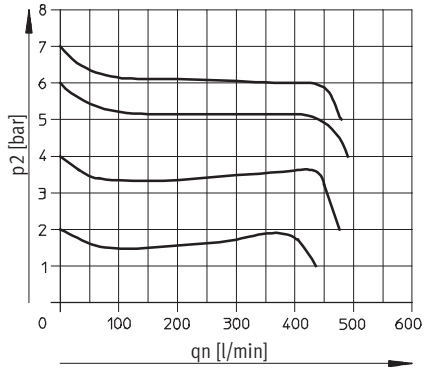
# LFR Filter/Regulators – D Series, NPT

Technical Data

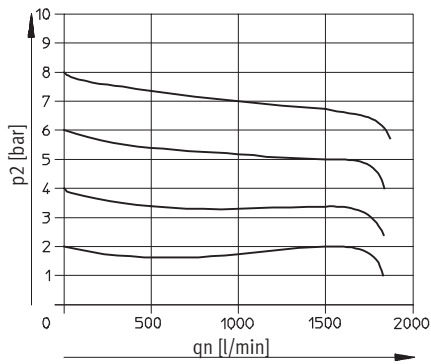


## Standard flow rate $q_n$ as a function of the output pressure $p_2$

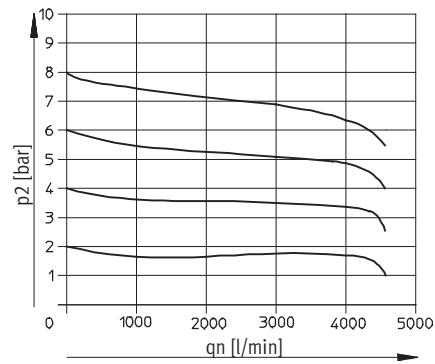
LFR-QS6-...-MICRO and LFR-1/8-...-MICRO



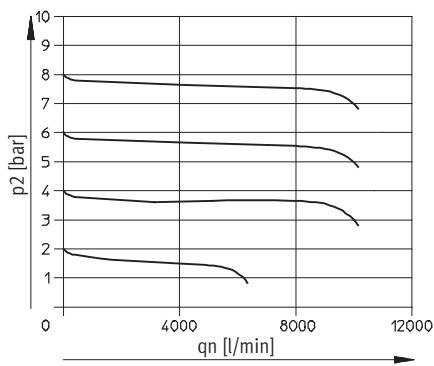
LFR-1/4-D-MINI



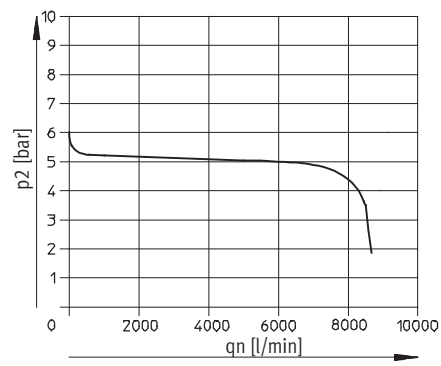
LFR-1/2-D-MIDI



LFR-1-D-MAXI



LFR-1-D-DI-MAXI



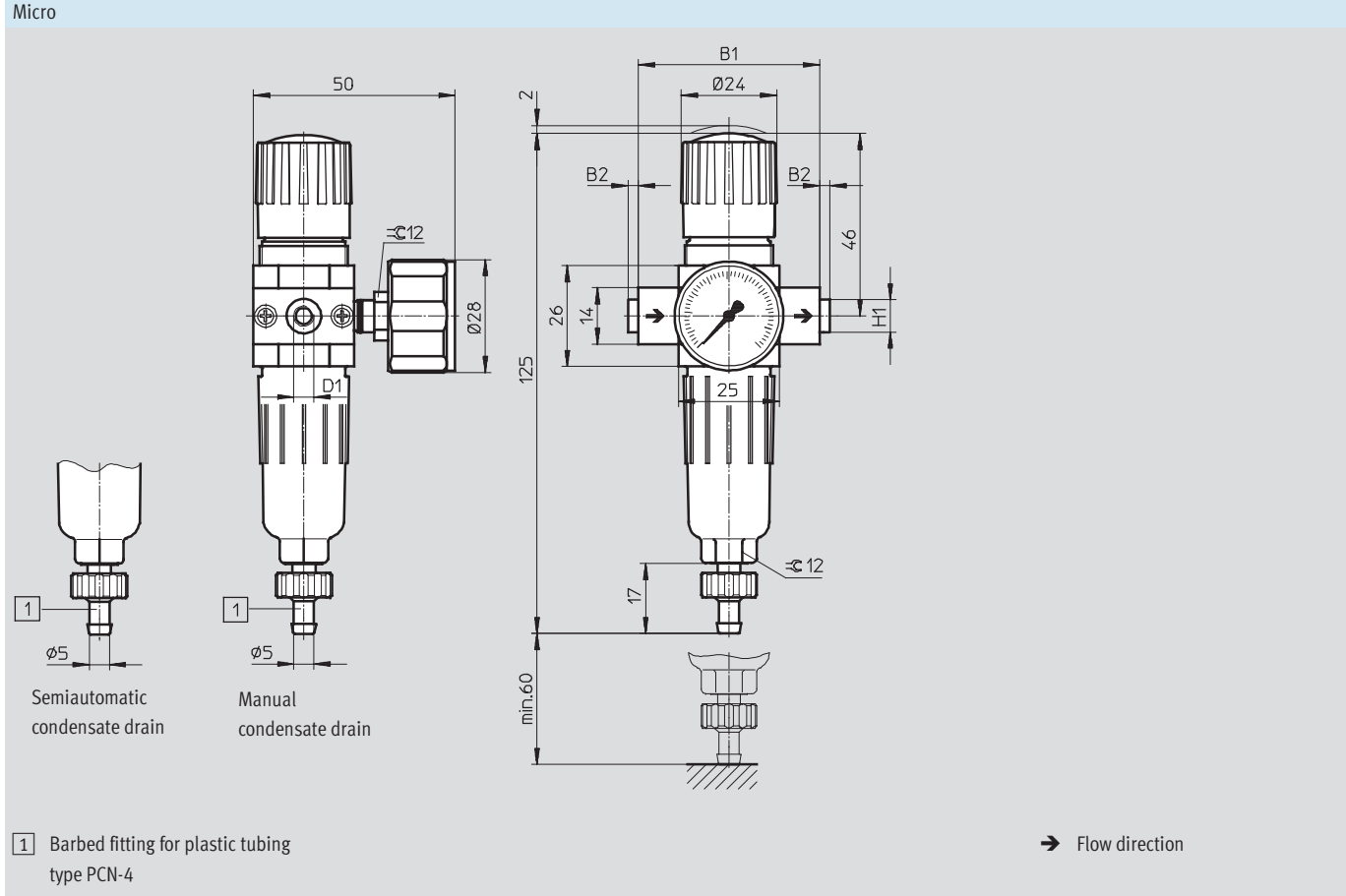
Primary pressure  $p_1 = 10$  bar

# LFR Filter/Regulators – D Series, NPT

Technical Data – Dimensional Drawings



Dimensions Download CAD Data → [www.festo.com/us/cad](http://www.festo.com/us/cad)



Type	B1	B2	D1	H1
LFR-1/8-...-MICRO (H)	45	-	1/8NPT	-

Note: This product conforms to ISO 1179-1 and ISO 228-1

# LFR Filter/Regulators – D Series, NPT

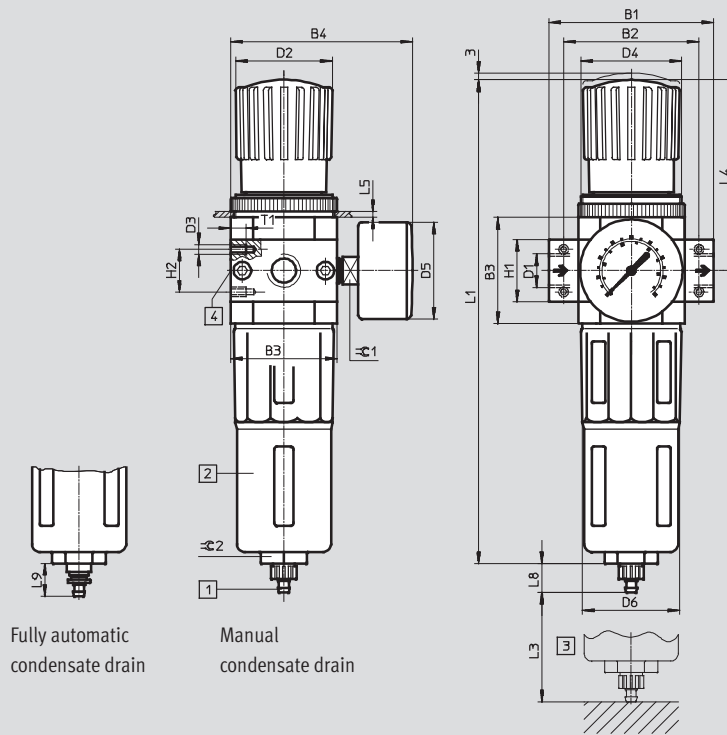
Technical Data – Dimensional Drawings



## Dimensions

Download CAD Data → [www.festo.com/us/cad](http://www.festo.com/us/cad)

Mini/Midi/Maxi



1 Barbed fitting for plastic tubing type PCN-4

2 Metal bowl guard  
3 Installation dimensions

4 Second pressure gauge connection

→ Flow direction

# LFR Filter/Regulators – D Series, NPT

Technical Data– Dimensional Drawings

Type	B1	B2	B3	B4	D1	D2 ∅	D3	D4	D5 ∅	D6 ∅
<b>Mini</b>										
LFR-1/8-D-MINI (A) (NPT)	64	52	40	76	1/8 NPT	31	M4	M36x1.5	41	38
LFR-1/4-D-MINI (A) (NPT)					1/4 NPT					
LFR-3/8-D-MINI (A) (NPT)	70	3/8 NPT								
<b>Midi</b>										
LFR-3/8-D-MIDI (A) (NPT)	85	70	55	95	3/8 NPT	50	M5	M52x1.5	50	52
LFR-1/2-D-MIDI (A) (NPT)					1/2 NPT					
LFR-3/4-D-MIDI (A) (NPT)					3/4 NPT					
<b>Maxi</b>										
LFR-3/4-D-MAXI (A) (NPT)	96	80	66	107	3/4 NPT	31	M5	M36x1.5	50	65
LFR-1-D-MAXI (A) (NPT)	116	91			1 NPT	31		M36x1.5		

Note: This product conforms to ISO 1179-1 and ISO 228-1

Type	H1	H2	L1	L3	L4	L5 max.	L6	L7	L8	L9	T1	≈C 1	≈C 2
<b>Mini</b>													
LFR-1/8-D-MINI (A) (NPT)	20	11	193	60	68	3	98	60	15	19	7	14	22
LFR-1/4-D-MINI (A) (NPT)													
LFR-3/8-D-MINI (A) (NPT)													
<b>Midi</b>													
LFR-3/8-D-MIDI (A) (NPT)	32	22	250	80	99	5	130	60	15	19	8	14	24
LFR-1/2-D-MIDI (A) (NPT)													
LFR-3/4-D-MIDI (A) (NPT)													
<b>Maxi</b>													
LFR-3/4-D-MAXI (A) (NPT)	32	22	252	90	82	4	111	60	15	19	8	14	24
LFR-1-D-MAXI (A) (NPT)	40		252		82		111						

# LFR/LFRS Filter/Regulators – D Series, NPT

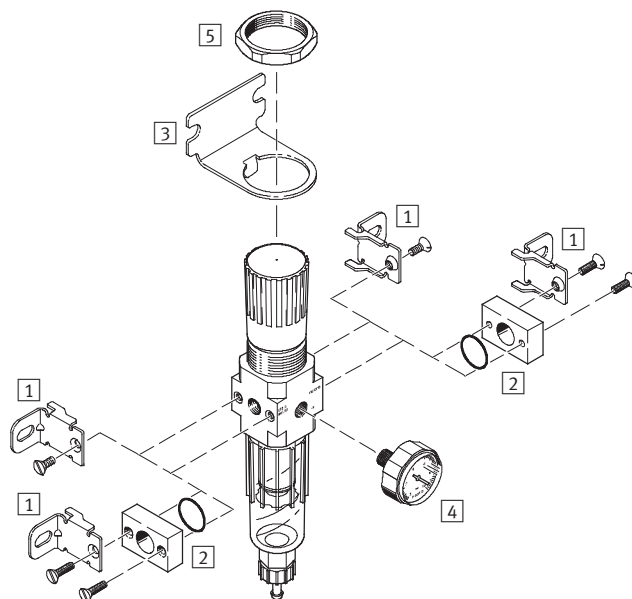
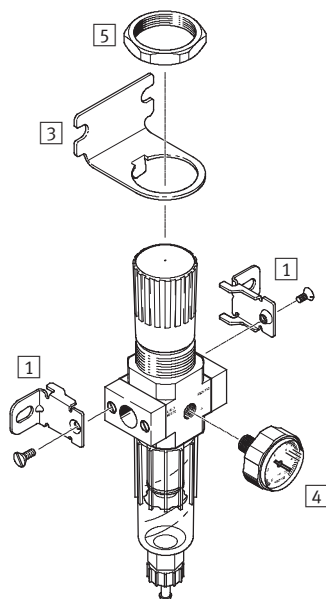
Accessories Overview



## Micro

Individual unit with port blocks, connection size 1/8 NPT

Individual unit without port blocks, for combination unit connection size M5 or M7 in housing



## Mounting attachments and accessories

	Individual unit		Combination		→ Page/Internet
	with port blocks	without port blocks	with port blocks	without port blocks	
1 Mounting bracket HFOE	■	■	■	■	hfoe
2 Port block kit PBL	-	■	-	■	pbl
3 Mounting bracket HRS	■	■	■	■	hrs
4 Pressure gauge MA-27	■	■	■	■	ma
5 Hexagon nut (included in scope of delivery) HMR	■	■	■	■	hmr

## Note

For Custom Combinations → FAST Program Selector Guide starting page 13



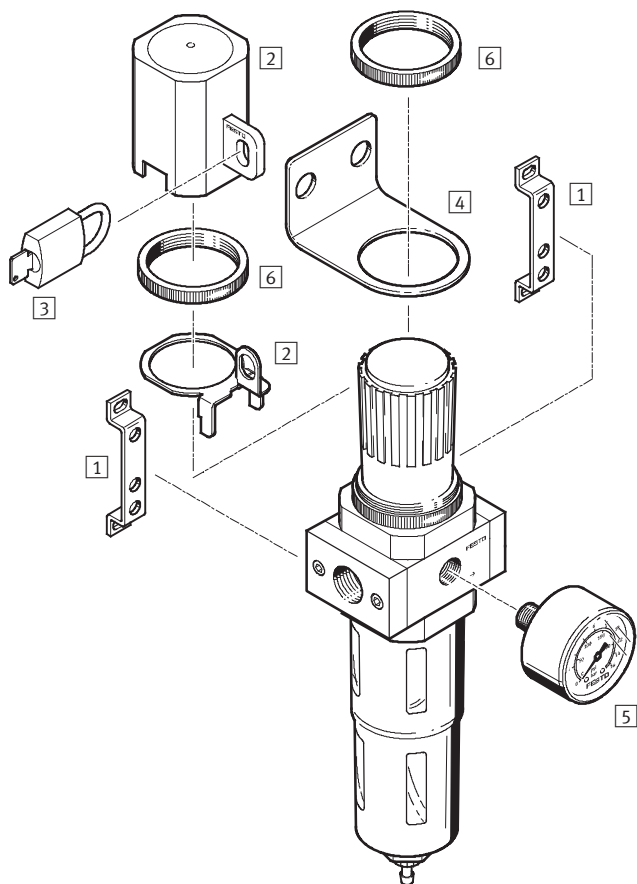
# LFR/LFRS Filter/Regulators – D Series, NPT

Accessories Overview



## Mini/Midi/Maxi

Filter regulator LFR



### Mounting attachments and accessories

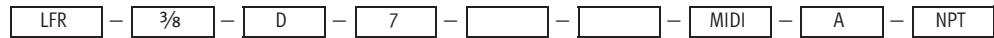
	Rotary knob with detent	→ Page/Internet
1 Mounting bracket HFOE	■	hfoe
2 Regulator lock LRVS	■	lrvs
3 Padlock LRVS-D	■	Lrvs-d
4 Mounting bracket HR-D	■	hr
5 Pressure gauge MA	■	ma
6 Knurled nut (included in scope of delivery) HMR	■	hmr

#### Note

For Custom Combinations → FAST Program Selector Guide starting page 13

# LFR Filter/Regulators – D Series, NPT

Type Codes



Basic function	
LFR	Filter regulator

Pneumatic connection	
N <sup>1</sup> / <sub>8</sub>	1/8 NPT Thread (for Micro only)
1/8	1/8 NPT Thread
1/4	1/4 NPT Thread
3/8	3/8 NPT Thread
1/2	1/2 NPT Thread
3/4	3/4 NPT Thread
1	1 NPT Thread

Series	
D	Series

Pressure regulation range	
	0.5 ... 12 bar
7	0.5 ... 7 bar

Grade of filtration	
	40 µm
5M	5 µm

Pressure gauge	
	With pressure gauge
0	Without pressure gauge

Size	
MICRO	Grid dimension 25 mm (without port blocks)
MINI	Grid dimension 40 mm (without port blocks)
MIDI	Grid dimension 55 mm (without port blocks)
MAXI	Grid dimension 66 mm (without port blocks)

Condensate drain	
	Manual
H	Semiautomatic
A	Fully automatic

NPT connection (where available)	
NPT	NPT threaded connection (not in type code for Micro)

# LFR/LFRS Filter/Regulators – D Series, NPT

Ordering Data – Micro

Ordering data				
Pressure regulation range 0.5 ... 7 bar				
Condensate drain	Size	Connection	Grade of filtration 5 µm	
			Part No.	Type
With pressure gauge				
Manual	Micro	1/8 NPT	526281	LFR-N1/8-D-7-5M-MICRO
Semiautomatic	Micro	1/8 NPT	526282	LFR-N1/8-D-7-5M-MICRO-H
Without pressure gauge				
Manual	Micro	1/8 NPT	526283	LFR-N1/8-D-7-0-5M-MICRO
Semiautomatic	Micro	1/8 NPT	526284	LFR-N1/8-D-7-0-5M-MICRO-H

# LFR/LFRS Filter/Regulators – D Series, NPT



Ordering Data – Mini/Midi/Maxi

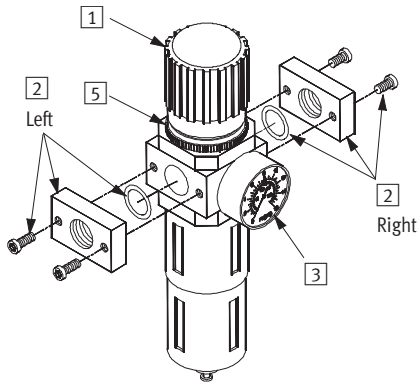
Ordering data									
Pressure regulation range 0.5 ... 12 bar, metal bowl guard									
Condensate drain	Size	Connection	Grade of filtration 5 µm		Grade of filtration 40 µm		Grade of filtration 40 µm		
			Part No.	Type	Part No.	Type	Part No.	Type	
With pressure gauge						Without pressure gauge			
Manual	Mini	1/8 NPT	173760	LFR-1/8-D-5M-MINI-NPT	173756	LFR-1/8-D-MINI-NPT	173758	LFR-1/8-D-MINI-NPT	
		1/4 NPT	173768	LFR-1/4-D-5M-MINI-NPT	173764	LFR-1/4-D-MINI-NPT	173766	LFR-1/4-D-MINI-NPT	
		3/8 NPT	173776	LFR-3/8-D-5M-MINI-NPT	173772	LFR-3/8-D-MINI-NPT	173774	LFR-3/8-D-MINI-NPT	
	Midi	3/8 NPT	173784	LFR-3/8-D-5M-MIDI-NPT	173780	LFR-3/8-D-MIDI-NPT	173782	LFR-3/8-D-MIDI-NPT	
		1/2 NPT	173792	LFR-1/2-D-5M-MIDI-NPT	173788	LFR-1/2-D-MIDI-NPT	173790	LFR-1/2-D-MIDI-NPT	
		3/4 NPT	173800	LFR-3/4-D-5M-MIDI-NPT	173796	LFR-3/4-D-MIDI-NPT	173798	LFR-3/4-D-MIDI-NPT	
	Maxi	3/4 NPT	173808	LFR-3/4-D-5M-MAXI-NPT	173804	LFR-3/4-D-MAXI-NPT	173806	LFR-3/4-D-MAXI-NPT	
		1 NPT	173816	LFR-1-D-5M-MAXI-NPT	173812	LFR-1-D-MAXI-NPT	173814	LFR-1-D-MAXI-NPT	
	Fully automatic	Mini	1/8 NPT	173761	LFR-1/8-D-5M-MINI-A-NPT	173757	LFR-1/8-D-MINI-A-NPT	173759	LFR-1/8-D-MINI-A-NPT
1/4 NPT			173769	LFR-1/4-D-5M-MINI-A-NPT	173765	LFR-1/4-D-MINI-A-NPT	173767	LFR-1/4-D-MINI-A-NPT	
3/8 NPT			173777	LFR-3/8-D-5M-MINI-A-NPT	173773	LFR-3/8-D-MINI-A-NPT	173775	LFR-3/8-D-MINI-A-NPT	
Midi		3/8 NPT	173785	LFR-3/8-D-5M-MIDI-A-NPT	173781	LFR-3/8-D-MIDI-A-NPT	173783	LFR-3/8-D-MIDI-A-NPT	
		1/2 NPT	173793	LFR-1/2-D-5M-MIDI-A-NPT	173789	LFR-1/2-D-MIDI-A-NPT	173791	LFR-1/2-D-MIDI-A-NPT	
		3/4 NPT	173801	LFR-3/4-D-5M-MIDI-A-NPT	173797	LFR-3/4-D-MIDI-A-NPT	173799	LFR-3/4-D-MIDI-A-NPT	
Maxi		3/4 NPT	173809	LFR-3/4-D-5M-MAXI-A-NPT	173805	LFR-3/4-D-MAXI-A-NPT	173807	LFR-3/4-D-MAXI-A-NPT	
		1 NPT	173817	LFR-1-D-5M-MAXI-A-NPT	173813	LFR-1-D-MAXI-A-NPT	173815	LFR-1-D-MAXI-A-NPT	

Ordering data									
Pressure regulation range 0.5 ... 7 bar, metal bowl guard									
Condensate drain	Size	Connection	Grade of filtration 40 µm						
			Part No.	Type					
With pressure gauge									
Manual	Mini	1/8 NPT	173762	LFR-1/8-D-7-MINI-NPT					
		1/4 NPT	173770	LFR-1/4-D-7-MINI-NPT					
		3/8 NPT	173778	LFR-3/8-D-7-MINI-NPT					
	Midi	3/8 NPT	173786	LFR-3/8-D-7-MIDI-NPT					
		1/2 NPT	173794	LFR-1/2-D-7-MIDI-NPT					
		3/4 NPT	173802	LFR-3/4-D-7-MIDI-NPT					
	Maxi	3/4 NPT	173810	LFR-3/4-D-7-MAXI-NPT					
		1 NPT	173818	LFR-1-D-7-MAXI-NPT					
	Fully automatic	Mini	1/8 NPT	173763	LFR-1/8-D-7-MINI-A-NPT				
1/4 NPT			173771	LFR-1/4-D-7-MINI-A-NPT					
3/8 NPT			173779	LFR-3/8-D-7-MINI-A-NPT					
Midi		3/8 NPT	173787	LFR-3/8-D-7-MIDI-A-NPT					
		1/2 NPT	173795	LFR-1/2-D-7-MIDI-A-NPT					
		3/4 NPT	173803	LFR-3/4-D-7-MIDI-A-NPT					
Maxi		3/4 NPT	173811	LFR-3/4-D-7-MAXI-A-NPT					
		1 NPT	173819	LFR-1-D-7-MAXI-A-NPT					

# FAST\* Program – Filter/Regulator Selector Guide



LFR Filter/Regulators – D Series, NPT



A complete filter regulator assembly consists of the following items:

Item	Description	Qty Required per Assy
1	Main Unit	1
2	Port Block Kit	2 (one left, one right)
3	Gauge	1
4	Wall Mounting Bracket Kit (Optional, not shown)	1
5	Knurled Nut (Optional)	1

**Note:** Joining rods (not shown here) are not needed in this assembly.

\*FAST = Festo Assured Shipping Time. Ordering via the FAST program means same day / next day shipping from our warehouse of the parts required to assemble a complete air preparation unit.

# FAST Program – LFR Filter/Regulator Selector Guide



LFR Filter/Regulators – D Series, NPT

**Step 1:** Based upon the required Port Size, Maximum Output Pressure, Maximum Flow, Filtration Level, Drain Type, and Thread Type, select the Main Unit (Item **1**), the Left and Right Port Block Kits (Item **2**), and, if required, Gauge (Item **3**) and Knurled Nut (Item **5**).

Port size	Max. Output Pressure (bar/psi)	Max. Flow (l/min/scfm)	Filtration Level (µm)	Drain	Product Type/Description	Item							
						Main Unit	NPT Thread		BSP Thread		Gauge (If required)	Knurled nut (If required)	
							Left Port Block Kit	Right Port Block Kit	Left Port Block Kit	Right Port Block Kit			
1/8	7/102	900/31.8	40	Man.	LFR-...-D-MINI-...	546456	546520	546521	546495	546496	546485	530025	
				Auto		546457							
	12/174	750/26.5		Man.	LFR-...-D-MINI-...	546432	546520	546521	546495	546496			546479
				Auto		546433							
	650/22.9	5	Man.	LFR-...-D-MINI-...	546454	546520	546521	546495	546496	546479			
			Auto		546455								
1/4	7/102	1400/49.4	40	Man.	LFR-...-D-MINI-...	546456	546522	546523	546497	546498	546485	530026	
				Auto		546457							
	2100/74.2	5		Man.	LFR-...-D-MIDI-...	546463	546536	546537	546532	546533			546484
				Auto		546464							
	12/174	1500/52.9	5	Man.	LFR-...-D-MINI-...	546432	546522	546523	546497	546498	546479		
				Auto		546433							
	2000/70.6	5		Man.	LFR-...-D-MIDI-...	546425	546536	546537	546532	546533		546482	
				Auto		546426							
	1200/42.4	5	Man.	LFR-...-D-MINI-...	546454	546522	546523	546497	546498	546479			
			Auto		546455								
	1600/56.5	5	Man.	LFR-...-D-MIDI-...	546461	546536	546537	546532	546533		546482		
			Auto		546462								
3/8	7/102	1700/60.0	40	Man.	LFR-...-D-MINI-...	546456	546524	546525	546499	546500	546485	530025	
				Auto		546457							
	3200/113.0	5		Man.	LFR-...-D-MIDI-...	546463	546530	546531	546501	546502			546484
				Auto		546464							
	12/174	1600/56.5	5	Man.	LFR-...-D-MINI-...	546432	546524	546525	546499	546500	546479		
				Auto		546433							
	3100/109.5	5		Man.	LFR-...-D-MIDI-...	546425	546530	546531	546501	546502		546482	
				Auto		546426							
	1350/47.7	5	Man.	LFR-...-D-MINI-...	546454	546524	546525	546499	546500	546479			
			Auto		546455								
	2400/84.8	5	Man.	LFR-...-D-MIDI-...	546461	546530	546531	546501	546502		546482		
			Auto		546462								

# FAST Program – LFR Filter/Regulator Selector Guide



LFR Filter/Regulators – D Series, NPT

Port size	Max. Output Pressure (bar/psi)	Max. Flow (l/min/scfm)	Filtration Level (µm)	Drain	Product Type/Description	Item		BSP Thread		Gauge (If required)	Knurled nut (If required)						
						1	2	3	5								
						Main Unit	NPT Thread	Left Port Block Kit	Right Port Block Kit								
½	7/102	3900/137.7	40	Man.	LFR-...-D-MIDI-...	546463	546526	546527	546503	546504	546484	530026					
				Auto		546464											
		9500/335.5		Man.	LFR-...-D-MAXI-...	546470							546538	546539	546534	546535	
				Auto		546471											
	12/174	3400/120.1	40	Man.	LFR-...-D-MIDI-...	546425	546526	546527	546503	546504	546482	530026					
				Auto		546426											
		9400/331.9		Man.	LFR-...-D-MAXI-...	546437							546538	546539	546534	546535	
				Auto		546438											
	2500/88.3	5	5	Man.	LFR-...-DI-MAXI-...*	546512	546526	546527	546503	546504	546482	530026					
				Auto		546515											
				7580/267.7	Man.	LFR-...-D-MAXI-...							546468	546538	546539	546534	546535
					Auto								546469				
¾	7/102	4000/141.3	40	Man.	LFR-...-D-MIDI-...	546463	546528	546529	546507	546508	546484	530026					
				Auto		546464											
		10000/353.2		Man.	LFR-...-D-MAXI-...	546470							546490	546492	546507	546508	
				Auto		546471											
	12/174	3400/120.1	40	Man.	LFR-...-D-MIDI-...	546425	546528	546529	546505	546506	546482	530026					
				Auto		546426											
		9700/342.6		Man.	LFR-...-D-MAXI-...	546437							546490	546492	546507	546508	
				Auto		546438											
	2600/91.8	5	5	Man.	LFR-...-DI-MAXI-...*	546512	546528	546529	546505	546506	546482	530026					
				Auto		546515											
				7600/268.4	Man.	LFR-...-D-MAXI-...							546468	546490	546492	546507	546508
					Auto								546469				
1	7/102	11000/388.5	40	Man.		546470	546491	546493	546509	546510	546484	530026					
				Auto		546471											
				Man.	LFR-...-DI-MAXI-...*	546514											
				Auto		546518											
	12/174	10000/353.2	40	Man.	LFR-...-D-MAXI-...	546437	546491	546493	546509	546510	546482	530026					
				Auto		546438											
				Man.	LFR-...-DI-MAXI-...*	546512											
				Auto		546515											
8000/282.5	5	5	Man.	LFR-...-D-MAXI-...	546468	546491	546493	546509	546510	546482	530026						
			Auto		546469												

\* DI = Directly actuated diaphragm regulator with integrated return flow function.

## FAST Program – LFR Filter/Regulator Selector Guide

LFR Filter/Regulators – D Series, NPT



**Step 2:** Based upon the Product Type/Description from Step 1, select the (optional) Wall Mounting Bracket Kit (Item 4).

	Item <span style="border: 1px solid black; padding: 0 2px;">4</span> (Not shown)
Product Type/ Description	Wall Mounting Bracket Kit (Optional) For more information on Mounting Brackets, see → Internet hrs
LFR-...-D-MINI-...	159638
LFR-...-D-MIDI-...	159593
LFR-...-D-MAXI-...	

**Step3:** Determine the appropriate quantity of each Item.

### Ordering Example:

**Required:** ¼ port size, 8 bar output pressure, 1800 l/min flow, 40µm filtration, automatic drain, BSP threads, gauge, wall mounting bracket kit and knurled nut.

	Item	Part No.	Qty	Description
Order:	<span style="border: 1px solid black; padding: 0 2px;">1</span>	546426	1	Main Unit
	<span style="border: 1px solid black; padding: 0 2px;">2</span>	546532	1	Left Port Block Kit
		546533	1	Right Port Block Kit
	<span style="border: 1px solid black; padding: 0 2px;">3</span>	546482	1	Gauge
	<span style="border: 1px solid black; padding: 0 2px;">4</span>	159593	1	Wall Mounting Bracket Kit
	<span style="border: 1px solid black; padding: 0 2px;">5</span>	530026	1	Knurled Nut (MIDI)



# Festo - Your Partner in Automation



**1 Festo Inc.**  
5300 Explorer Drive  
Mississauga, ON L4W 5G4  
Canada

**Festo Customer Interaction Center**  
Tel: 1 877 463 3786  
Fax: 1 877 393 3786  
Email: [customer.service.ca@festo.com](mailto:customer.service.ca@festo.com)



**2 Festo Pneumatic**  
Av. Ceylán 3,  
Col. Tequesquináhuac  
54020 Tlalnepantla,  
Estado de México

**Multinational Contact Center**  
01 800 337 8669  
[ventas.mexico@festo.com](mailto:ventas.mexico@festo.com)



**3 Festo Corporation**  
1377 Motor Parkway  
Suite 310  
Islandia, NY 11749

**Festo Customer Interaction Center**  
1 800 993 3786  
1 800 963 3786  
[customer.service.us@festo.com](mailto:customer.service.us@festo.com)



**4 Regional Service Center**  
7777 Columbia Road  
Mason, OH 45040

Connect with us



[www.festo.com/socialmedia](http://www.festo.com/socialmedia)



[www.festo.com](http://www.festo.com)

Subject to change